



Dealers Industrial Equipment

No.:

Date: 12-SEP-2016

Customer :

TECHNICAL PROPOSAL

Three-phase induction motor - Squirrel cage rotor

Product line : W22 NEMA Premium - Ball Bearings

Catalog Number : 00109ET3E182T-W22

List Price : \$1,043

Notes:

Downloaded from <http://dealerselectric.com>

Generated for Model #00109ET3E182T-W22

Performed by:

Checked:



Dealers Industrial Equipment

No.:

Date: 12-SEP-2016

DATA SHEET Three-phase induction motor - Squirrel cage rotor

Customer :
Product line : W22 NEMA Premium - Ball Bearings

Frame : 182/4T
Output : 1 HP
Frequency : 60 Hz
Poles : 8
Full load speed : 875 rpm
Slip : 2.78 %
Voltage : 208-230/460 V
Rated current : 5.09-4.60/2.30 A
Locked rotor current : 27.6/13.8 A
Locked rotor current (I_L/I_n) : 6.0
No-load current : 3.40/1.70 A
Full load torque : 5.92 lb.ft
Locked rotor torque : 300 %
Breakdown torque : 350 %
Design : B
Insulation class : F
Temperature rise : 80 K
Locked rotor time : 22 s (hot)
Service factor : 1.25
Duty cycle : S1
Ambient temperature : -20°C - +40°C
Altitude : 1000 m
Degree of Protection : IP55
Approximate weight : 95 lb
Moment of inertia : 0.39914 sq.ft.lb
Noise level : 50 dB(A)

| | D.E. | N.D.E. |
|---------------------|---------|---------|
| Bearings | 6207 ZZ | 6206 ZZ |
| Regreasing interval | --- | --- |
| Grease amount | --- | --- |

| Load | Power factor | Efficiency (%) |
|------|--------------|----------------|
| 100% | 0.52 | 78.5 |
| 75% | 0.42 | 77.0 |
| 50% | 0.32 | 74.0 |

Notes:
Downloaded from <http://dealerselectric.com>
Generated for Model #00109ET3E182T-W22

Performed by

Checked



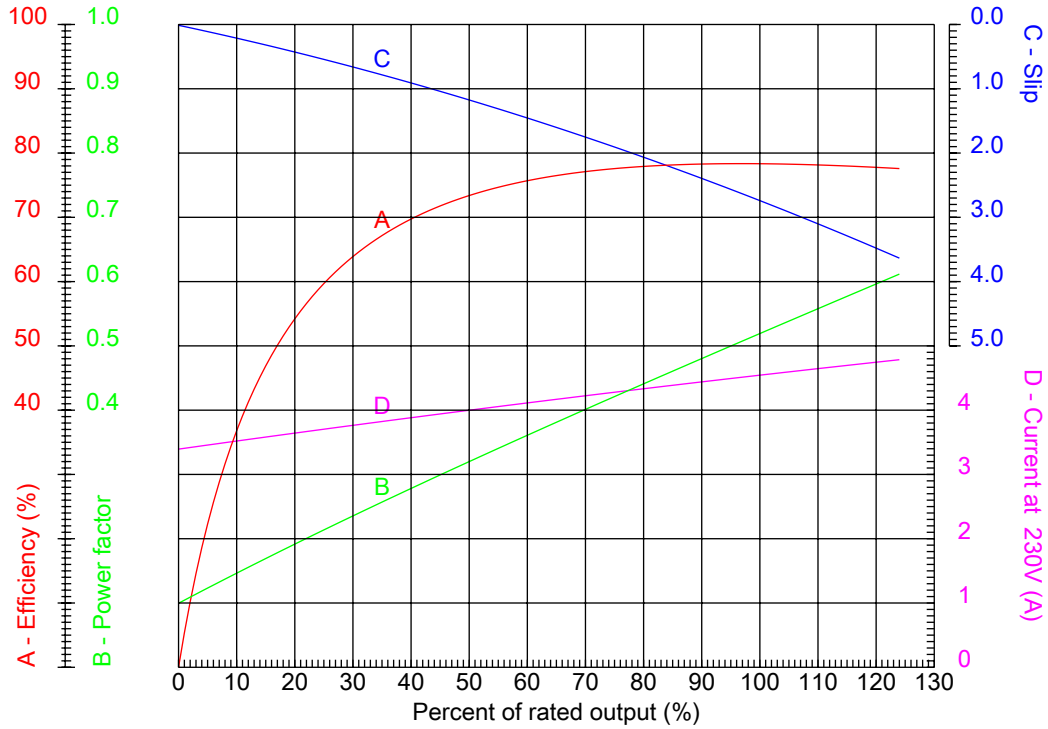
Dealers Industrial Equipment

No.:

Date: 12-SEP-2016

PERFORMANCE CURVES RELATED TO RATED OUTPUT

Three-phase induction motor - Squirrel cage rotor



Customer :
 Product line : W22 NEMA Premium - Ball Bearings

| | | | |
|------------------|--------------------|--|---------|
| Frame | : 182/4T | Locked rotor current (I _l /I _n) | : 6.0 |
| Output | : 1 HP | Duty cycle | : S1 |
| Frequency | : 60 Hz | Service factor | : 1.25 |
| Full load speed | : 875 rpm | Design | : B |
| Voltage | : 208-230/460 V | Locked rotor torque | : 300 % |
| Rated current | : 5.09-4.60/2.30 A | Breakdown torque | : 350 % |
| Insulation class | : F | | |

Notes:
 Downloaded from <http://dealerselectric.com>
 Generated for Model #00109ET3E182T-W22

Performed by

Checked



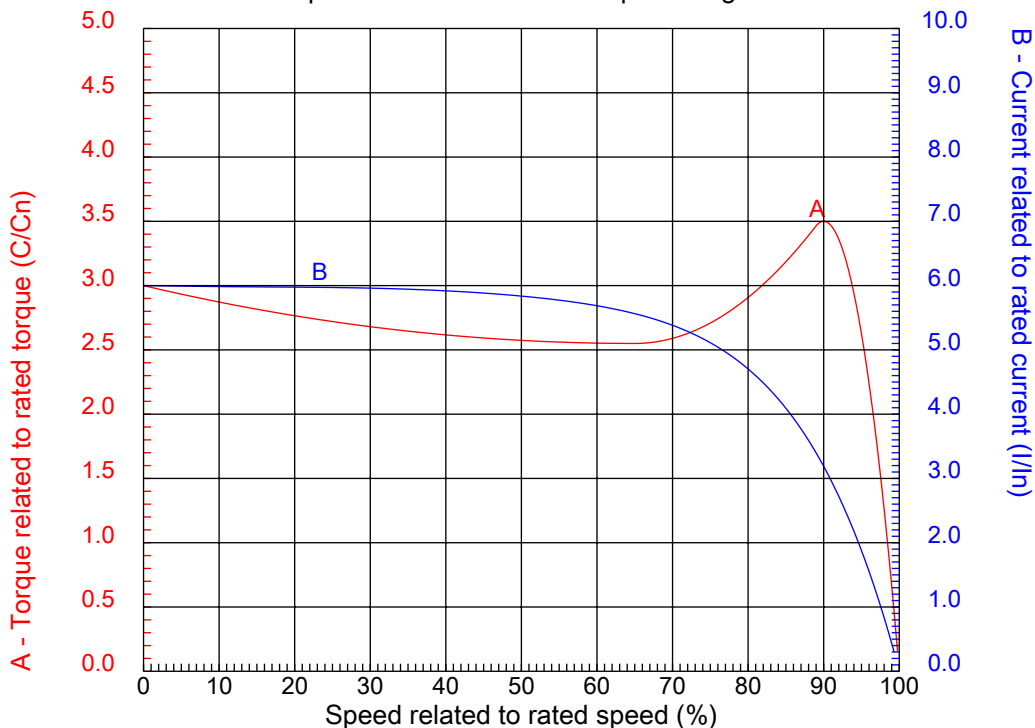
Dealers Industrial Equipment

No.:

Date: 12-SEP-2016

CHARACTERISTIC CURVES RELATED TO SPEED

Three-phase induction motor - Squirrel cage rotor



Customer :
Product line : W22 NEMA Premium - Ball Bearings

| | | | |
|------------------|--------------------|--|---------|
| Frame | : 182/4T | Locked rotor current (I _l /I _n) | : 6.0 |
| Output | : 1 HP | Duty cycle | : S1 |
| Frequency | : 60 Hz | Service factor | : 1.25 |
| Full load speed | : 875 rpm | Design | : B |
| Voltage | : 208-230/460 V | Locked rotor torque | : 300 % |
| Rated current | : 5.09-4.60/2.30 A | Breakdown torque | : 350 % |
| Insulation class | : F | | |

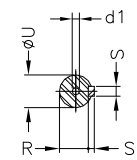
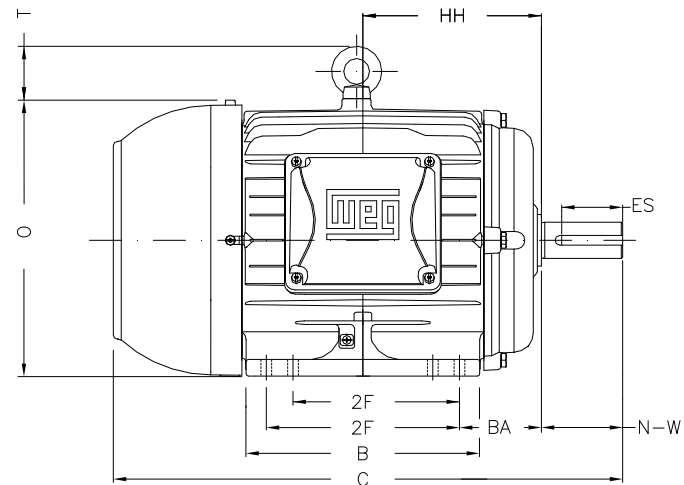
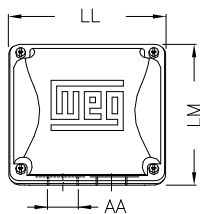
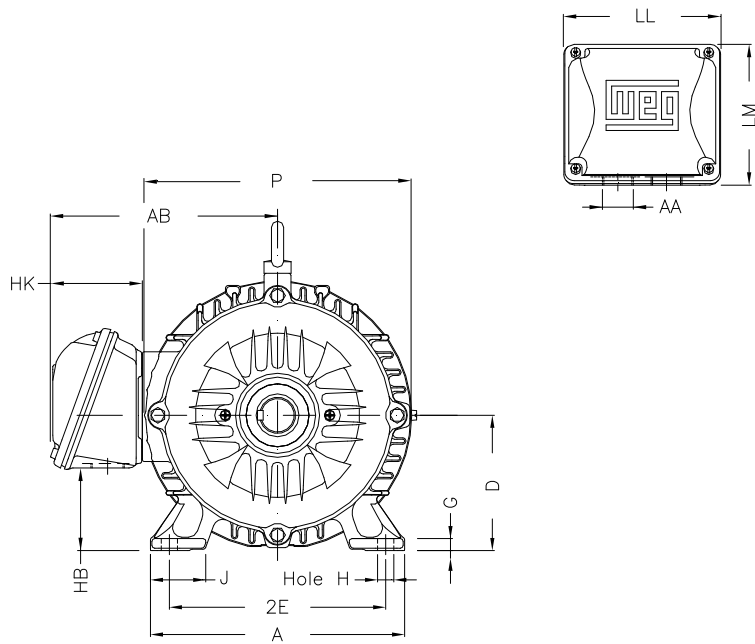
Notes:
Downloaded from <http://dealerselectric.com>
Generated for Model #00109ET3E182T-W22

Performed by

Checked

1 2 3 4 5 6 7 8

A
B
C
D
E
F



Notes: Downloaded from <http://dealerselectric.com>
Generated for Model #00109ET3E182T-W22

| | | | | |
|-------------------|--------------|-------------|--------------|----------------|
| 2E 7.500 | J 1.614 | A 8.661 | P 8.937 | AB 7.565 |
| 2F 4.500/5.500 | B 6.969 | BA 2.750 | FBA 5.057 | U 1.125 |
| N-W 2.750 | ES 1.969 | S 0.250 | R 0.984 | depth 0.250 |
| D 4.500 | G 0.394 | HB 2.236 | O 9.343 | T 1.772 |
| HF 4.500 | HH 5.500 | HK 3.150 | EV 0.734 | H 0.410 |
| C 15.860 | FC 18.307 | LL 5.512 | LM 5.236 | AA NPT 1" |
| d1 A 4 | | | | |

Performed by:
Checked:
Customer:
W22 NEMA Premium - Ball Bearings
Three-phase induction motor
Frame 182/4T - IP55

12-SEP-2016

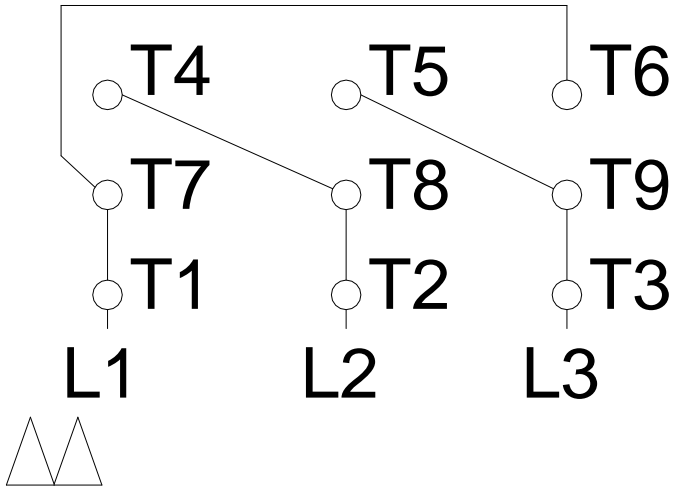


1 2 3 4 5 6 7 8

LOW VOLTAGE

HIGH VOLTAGE

A
B
C
D
E
F



Notes: Downloaded from <http://dealerselectric.com>
 Generated for Model #00109ET3E182T-W22

Performed by:

Checked:

Customer:

W22 NEMA Premium - Ball Bearings

Three-phase induction motor
 Frame 182/4T - IP55

12-SEP-2016

