



# Dealers Industrial Equipment

No.:

Date: 12-SEP-2016

Customer :

## TECHNICAL PROPOSAL

### Three-phase induction motor - Squirrel cage rotor

Product line : Three-Phase : NEMA 56 Frames - ODP

Catalog Number : .7536OS3EB56C

List Price : \$283

#### Notes:

Downloaded from <http://dealerselectric.com>

Generated for Model #.7536OS3EB56C

Performed by:

Checked:



# Dealers Industrial Equipment

No.:

Date: 12-SEP-2016

## DATA SHEET Three-phase induction motor - Squirrel cage rotor

Customer :  
Product line : Three-Phase : NEMA 56 Frames - ODP

Frame : B56  
Output : 0.75 HP  
Frequency : 60 Hz  
Poles : 2  
Full load speed : 3450 rpm  
Slip : 4.17 %  
Voltage : 208-230/460 V  
Rated current : 2.45-2.39/1.20 A  
Locked rotor current : 13.6/6.82 A  
Locked rotor current (I<sub>L</sub>/I<sub>n</sub>) : 5.7  
No-load current : 1.53/0.765 A  
Full load torque : 1.13 lb.ft  
Locked rotor torque : 240 %  
Breakdown torque : 250 %  
Design : A  
Insulation class : B  
Temperature rise : 80 K  
Locked rotor time : 15 s (hot)  
Service factor : 1.25 (1.00 at 208V)  
Duty cycle : S1  
Ambient temperature : -20°C - +40°C  
Altitude : 1000 m  
Degree of Protection : IP21  
Approximate weight : 22 lb  
Moment of inertia : 0.02207 sq.ft.lb  
Noise level : ---

	D.E.	N.D.E.
Bearings	6204 ZZ	6203 ZZ
Regreasing interval	---	---
Grease amount	---	---

Load	Power factor	Efficiency (%)
100%	0.81	72.0
75%	0.73	70.0
50%	0.61	64.0

Notes:  
Downloaded from <http://dealerselectric.com>  
Generated for Model #.7536OS3EB56C

Performed by

Checked



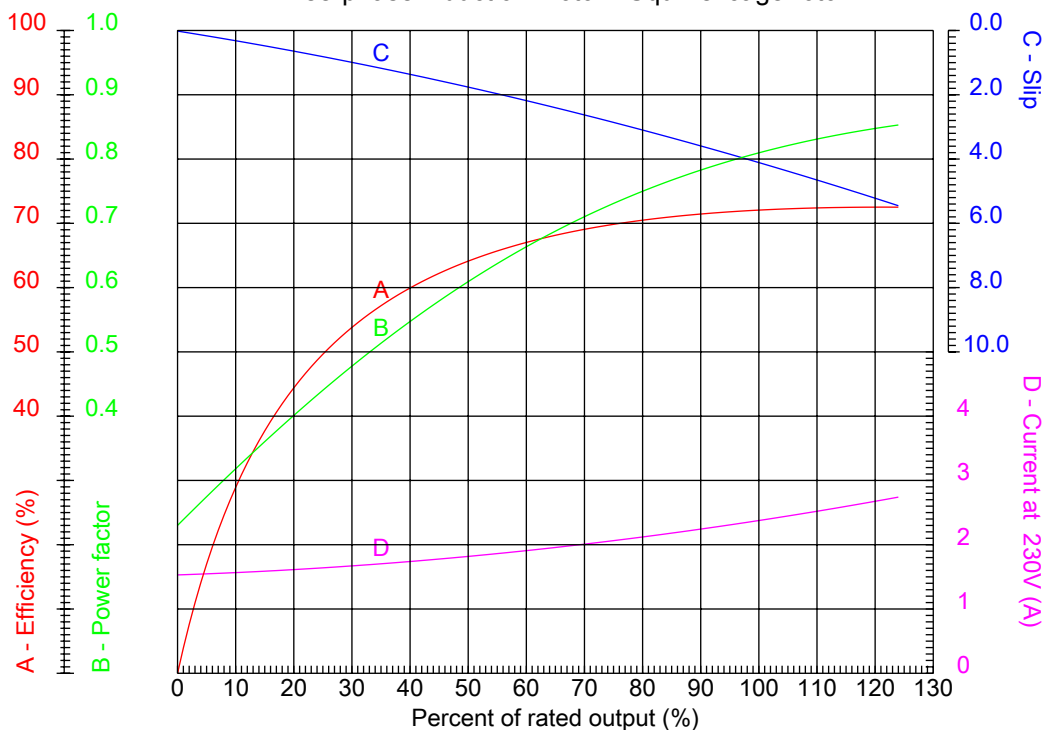
# Dealers Industrial Equipment

No.:

Date: 12-SEP-2016

## PERFORMANCE CURVES RELATED TO RATED OUTPUT

Three-phase induction motor - Squirrel cage rotor



Customer :  
 Product line : Three-Phase : NEMA 56 Frames - ODP

Frame	: B56	Locked rotor current (I <sub>L</sub> /I <sub>n</sub> )	: 5.7
Output	: 0.75 HP	Duty cycle	: S1
Frequency	: 60 Hz	Service factor	: 1.25 (1.00 at 208V)
Full load speed	: 3450 rpm	Design	: A
Voltage	: 208-230/460 V	Locked rotor torque	: 240 %
Rated current	: 2.45-2.39/1.20 A	Breakdown torque	: 250 %
Insulation class	: B		

Notes:  
 Downloaded from <http://dealerselectric.com>  
 Generated for Model #.7536OS3EB56C

Performed by

Checked



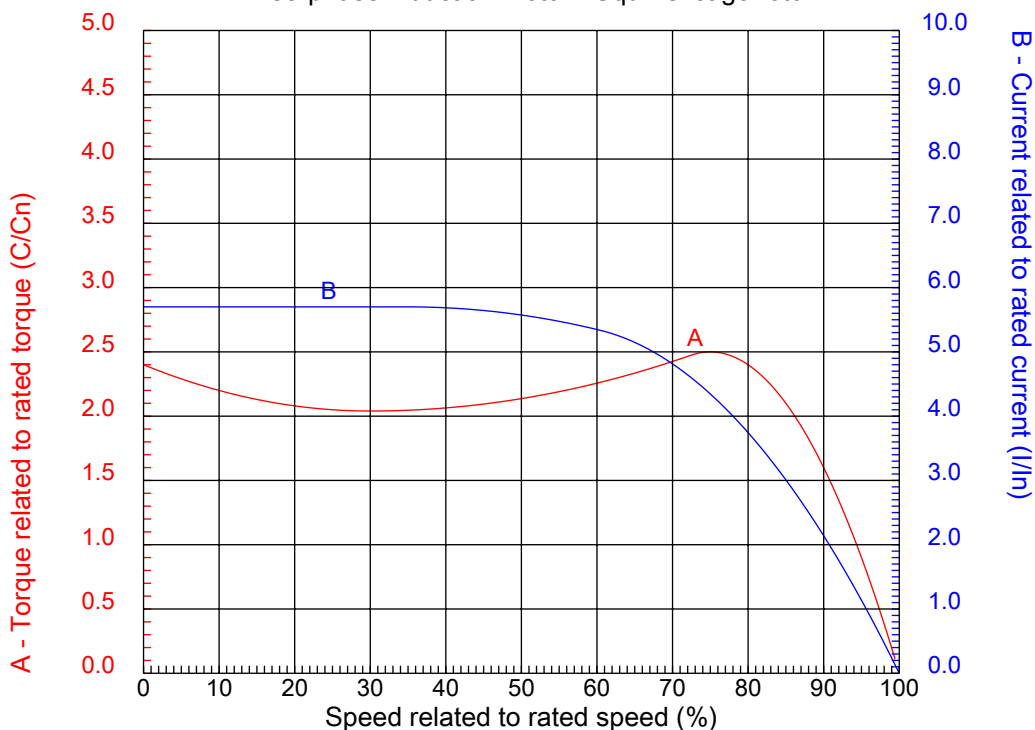
# Dealers Industrial Equipment

No.:

Date: 12-SEP-2016

## CHARACTERISTIC CURVES RELATED TO SPEED

Three-phase induction motor - Squirrel cage rotor



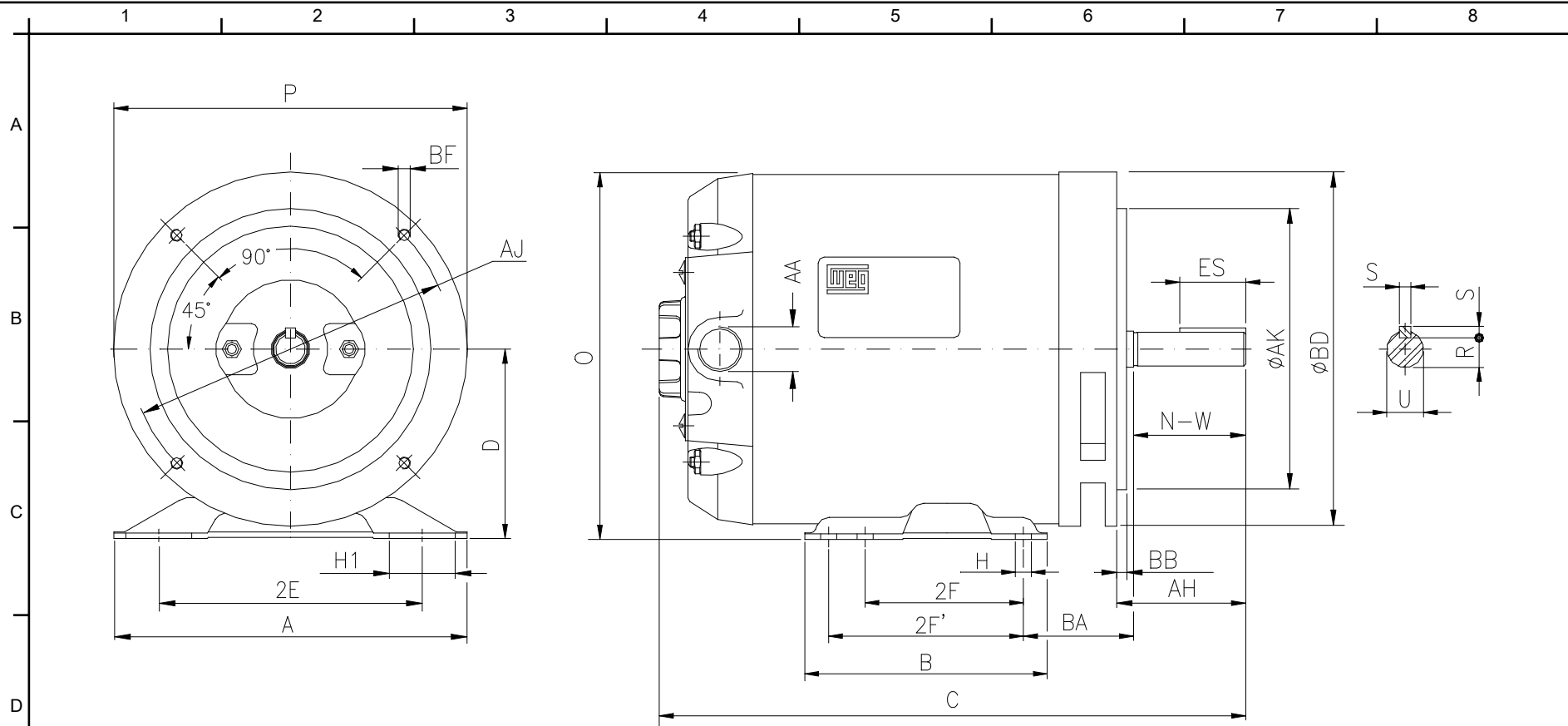
Customer :  
Product line : Three-Phase : NEMA 56 Frames - ODP

Frame	: B56	Locked rotor current (I <sub>l</sub> /I <sub>n</sub> )	: 5.7
Output	: 0.75 HP	Duty cycle	: S1
Frequency	: 60 Hz	Service factor	: 1.25 (1.00 at 208V)
Full load speed	: 3450 rpm	Design	: A
Voltage	: 208-230/460 V	Locked rotor torque	: 240 %
Rated current	: 2.45-2.39/1.20 A	Breakdown torque	: 250 %
Insulation class	: B		

Notes:  
Downloaded from <http://dealerselectric.com>  
Generated for Model #.7536OS3EB56C

Performed by

Checked



Notes: Downloaded from <http://dealerselectric.com>  
 Generated for Model #.7536OS3EB56C

Performed by:

Checked:

Customer:

Three-Phase : NEMA 56 Frames - ODP

2E	H	A	2F	B
4.874	0.342	6.535	3.000	4.016
BA	J	P	ES	S
2.750	1.220	6.457	1.102	0.187
N-W	depth	U	R	d1
1.874	0.187	0.6250	0.517	A 3,15
D	O	C	AA	Flange
3.500	6.732	11.102	NPT 1/2"	FC-149
AJ	AK	BD	BF	BB
5.874	4.500	6.500	UNC 3/8"x16-2B	0.157

Three-phase induction motor  
 Frame B56 - IP21

12-SEP-2016



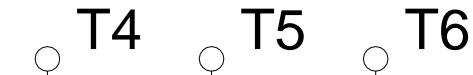
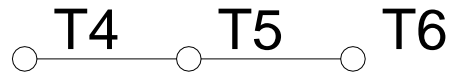
1 2 3 4 5 6 7 8

A

### LOW VOLTAGE

### HIGH VOLTAGE

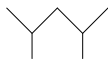
B



C

L1 L2 L3

L1 L2 L3



D

E

F

Notes: Downloaded from <http://dealerselectric.com>  
 Generated for Model #.7536OS3EB56C

Performed by:

Checked:

Customer:

Three-Phase : NEMA 56 Frames - ODP

Three-phase induction motor  
Frame B56 - IP21

12-SEP-2016

