



Dealers Industrial Equipment

No.:

Date: 12-SEP-2016

Customer :

TECHNICAL PROPOSAL

Single-phase induction motor - Squirrel cage rotor

Product line : Jet Pump - NEMA 56 : Single-Phase - Threaded - ODP (IP21)

Catalog Number : -

List Price : \$-

Notes:

Downloaded from <http://dealerselectric.com>

Generated for Model #.7536OS1BJPR56J

Performed by:

Checked:



Dealers Industrial Equipment

No.:

Date: 12-SEP-2016

DATA SHEET Single-phase induction motor - Squirrel cage rotor

Customer :
 Product line : Jet Pump - NEMA 56 : Single-Phase - Threaded - ODP (IP21)

Frame : E56
 Output : 0.75 HP
 Frequency : 60 Hz
 Poles : 2
 Full load speed : 3500 rpm
 Slip : 2.78 %
 Voltage : 115/208-230 V
 Rated current : 8.90/4.70-4.45 A
 Locked rotor current : 53.4/26.7 A
 Locked rotor current (I_L/I_n) : 6.0
 No-load current : 5.40/2.70 A
 Full load torque : 1.11 lb.ft
 Locked rotor torque : 230 %
 Breakdown torque : 250 %
 Design : ---
 Insulation class : B
 Temperature rise : 80 K
 Locked rotor time : 6 s (hot)
 Service factor : 1.50 (1.00 at 208V)
 Duty cycle : S1
 Ambient temperature : -20°C - +40°C
 Altitude : 1000 m
 Degree of Protection : IP21
 Approximate weight : 32 lb
 Moment of inertia : 0.03322 sq.ft.lb
 Noise level : ---

	D.E.	N.D.E.
Bearings	6203 2RS	6203 2RS
Regreasing interval	---	---
Grease amount	---	---

Load	Power factor	Efficiency (%)
100%	0.79	68.3
75%	0.71	68.4
50%	0.60	61.0

Notes:
 Downloaded from <http://dealerselectric.com>
 Generated for Model #.7536OS1BJPR56J

Performed by

Checked



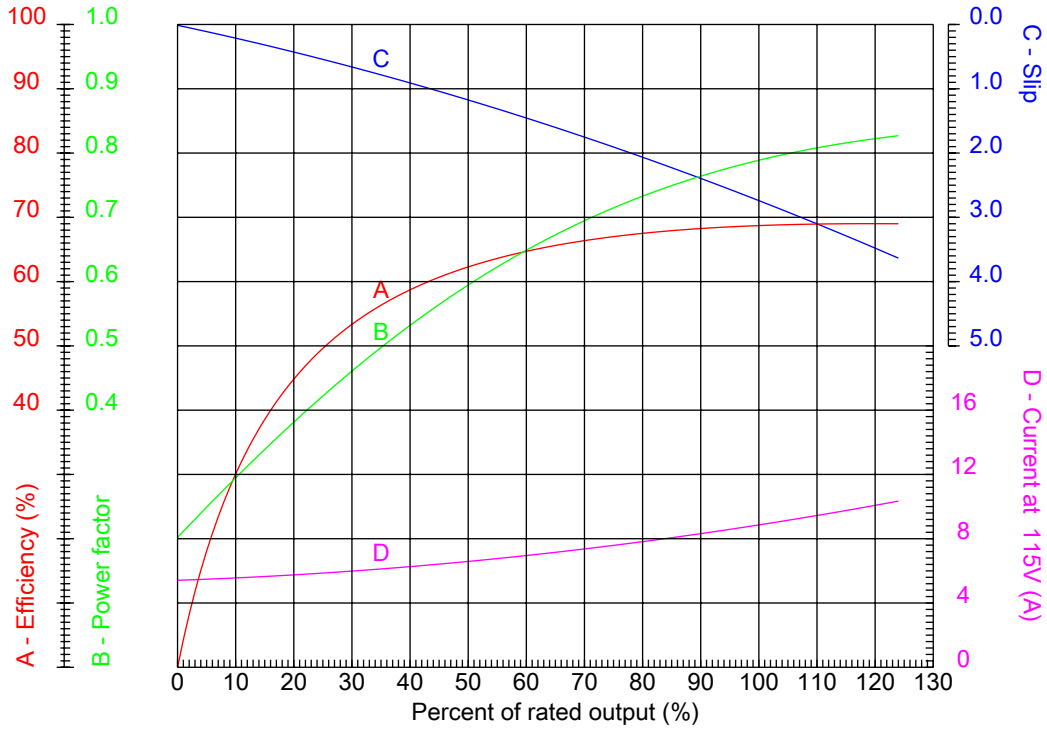
Dealers Industrial Equipment

No.:

Date: 12-SEP-2016

PERFORMANCE CURVES RELATED TO RATED OUTPUT

Single-phase induction motor - Squirrel cage rotor



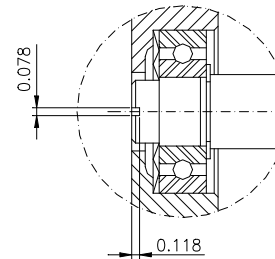
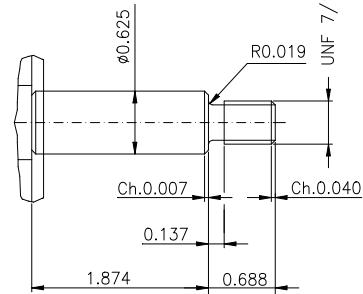
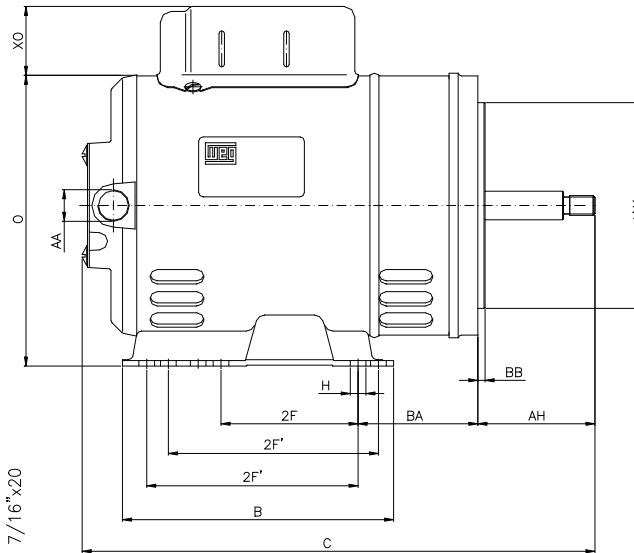
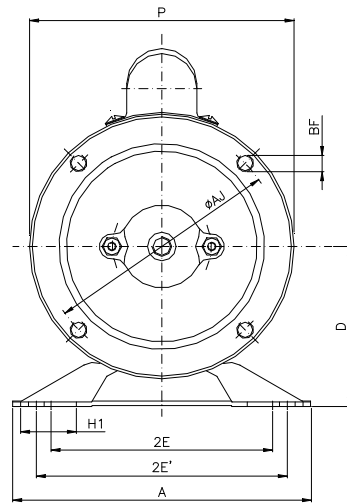
Customer :
 Product line : Jet Pump - NEMA 56 : Single-Phase - Threaded - ODP (IP21)

Frame : E56	Locked rotor current (I _L /I _n) : 6.0
Output : 0.75 HP	Duty cycle : S1
Frequency : 60 Hz	Service factor : 1.50 (1.00 at 208V)
Full load speed : 3500 rpm	Design : ---
Voltage : 115/208-230 V	Locked rotor torque : 230 %
Rated current : 8.90/4.70-4.45 A	Breakdown torque : 250 %
Insulation class : B	

Notes:
 Downloaded from <http://dealerselectric.com>
 Generated for Model #.7536OS1BJPR56J

Performed by

Checked



DETAIL X

Notes: Downloaded from <http://dealerselectric.com>
Generated for Model #.7536OS1BJPR56J

Performed by:

Checked:

Customer:

Jet Pump - NEMA 56 : Single-Phase - Threaded - ODP (IP21)

P 6.535	C 13.110	N-W 1.874	U 0.625	AA NPT 1/2"
d1 D UNF 1/4"-28				

Single-phase induction motor
Frame E56 - IP21

12-SEP-2016

