



Dealers Industrial Equipment

No.:

Date: 12-SEP-2016

Customer :

TECHNICAL PROPOSAL

Single-phase induction motor - Squirrel cage rotor

Product line : Jet Pump - NEMA 56 : Single-Phase - Threaded - ODP (IP21)

Catalog Number : .7536OS1BJP56J

List Price : \$296

Notes:

Downloaded from <http://dealerselectric.com>

Generated for Model #.7536OS1BJP56J

Performed by:

Checked:



Dealers Industrial Equipment

No.:

Date: 12-SEP-2016

DATA SHEET

Single-phase induction motor - Squirrel cage rotor

Customer :
Product line : Jet Pump - NEMA 56 : Single-Phase - Threaded - ODP (IP21)

Frame : E56
Output : 0.75 HP
Frequency : 60 Hz
Poles : 2
Full load speed : 3500 rpm
Slip : 2.78 %
Voltage : 115/208-230 V
Rated current : 8.90/4.70-4.45 A
Locked rotor current : 53.4/26.7 A
Locked rotor current (I_L/I_n) : 6.0
No-load current : 5.40/2.70 A
Full load torque : 1.11 lb.ft
Locked rotor torque : 230 %
Breakdown torque : 250 %
Design : ---
Insulation class : B
Temperature rise : 80 K
Locked rotor time : 6 s (hot)
Service factor : 1.50 (1.00 at 208V)
Duty cycle : S1
Ambient temperature : -20°C - +40°C
Altitude : 1000 m
Degree of Protection : IP21
Approximate weight : 32 lb
Moment of inertia : 0.03322 sq.ft.lb
Noise level : ---

	D.E.	N.D.E.	Load	Power factor	Efficiency (%)
Bearings	6203 2RS	6203 2RS	100%	0.79	68.3
Regreasing interval	---	---	75%	0.71	68.4
Grease amount	---	---	50%	0.60	61.0

Notes:

Downloaded from <http://dealerselectric.com>
Generated for Model #.7536OS1BJP56J

Performed by

Checked

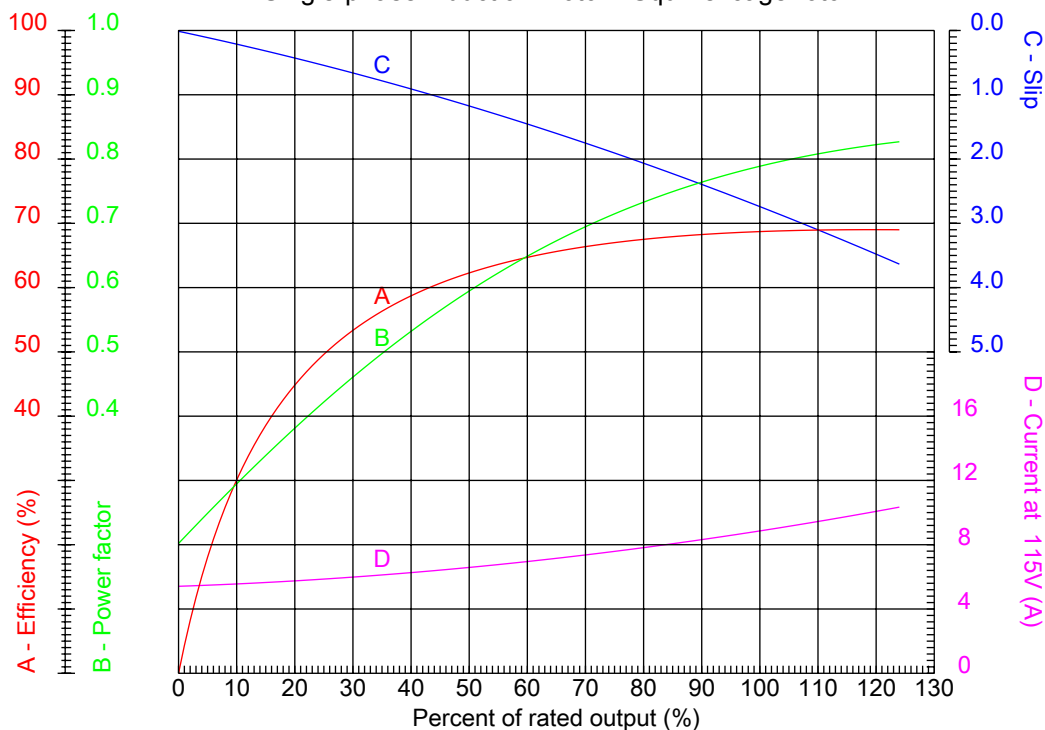


Dealers Industrial Equipment

No.:

Date: 12-SEP-2016

PERFORMANCE CURVES RELATED TO RATED OUTPUT Single-phase induction motor - Squirrel cage rotor



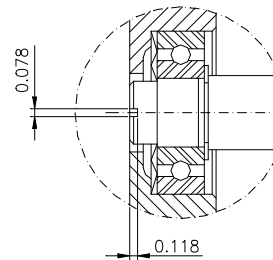
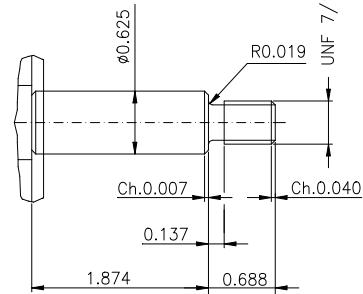
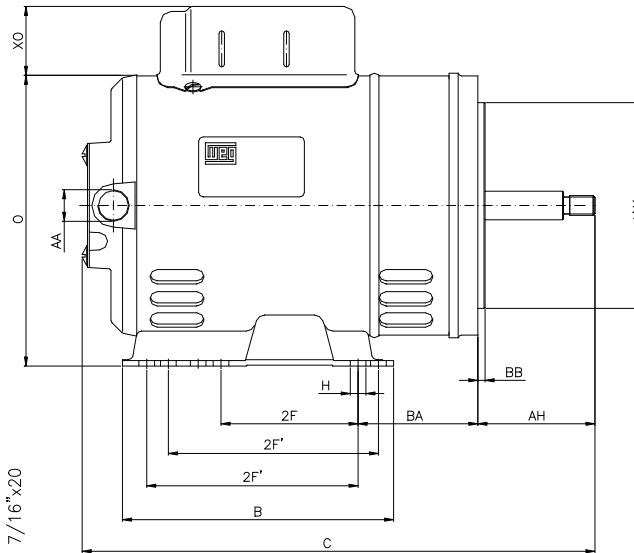
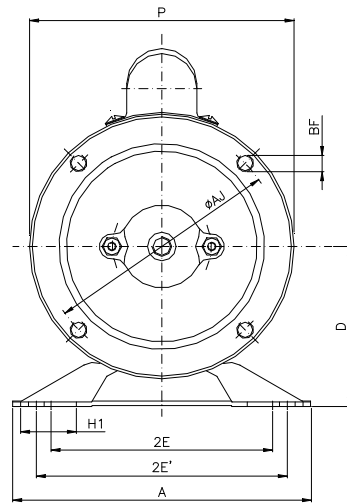
Customer :
 Product line : Jet Pump - NEMA 56 : Single-Phase - Threaded - ODP (IP21)

Frame	: E56	Locked rotor current (I _l /I _n)	: 6.0
Output	: 0.75 HP	Duty cycle	: S1
Frequency	: 60 Hz	Service factor	: 1.50 (1.00 at 208V)
Full load speed	: 3500 rpm	Design	: ---
Voltage	: 115/208-230 V	Locked rotor torque	: 230 %
Rated current	: 8.90/4.70-4.45 A	Breakdown torque	: 250 %
Insulation class	: B		

Notes:
 Downloaded from <http://dealerselectric.com>
 Generated for Model #.7536OS1BJP56J

Performed by

Checked



DETAIL X

Notes: Downloaded from <http://dealerselectric.com>
Generated for Model #.7536OS1BJP56J

Performed by:

Checked:

Customer:

Jet Pump - NEMA 56 : Single-Phase - Threaded - ODP (IP21)

Single-phase induction motor
Frame E56 - IP21

12-SEP-2016



2E 4.874	2F 3.000	BA 3.228	A 6.535	B 4.016
P 6.535	D 3.500	C 13.110	O 6.772	N-W 1.874
U 0.625	AA NPT 1/2"	d1 D UNF 1/4"-28	Flange FC-149	AJ 5.874
AK 4.500	BD 6.535	BF UNC 3/8"x16	BB 0.157	AH 2.563