



Dealers Industrial Equipment

No.:

Date: 12-SEP-2016

Customer :

TECHNICAL PROPOSAL

Single-phase induction motor - Squirrel cage rotor

Product line : Single-Phase : NEMA 48 & 56 ODP - Start Capacitor

Catalog Number : .7536OS1BB56CFL

List Price : \$297

Notes:

Downloaded from <http://dealerselectric.com>

Generated for Model #.7536OS1BB56CFL

Performed by:

Checked:



Dealers Industrial Equipment

No.:

Date: 12-SEP-2016

DATA SHEET Single-phase induction motor - Squirrel cage rotor

Customer :
Product line : Single-Phase : NEMA 48 & 56 ODP - Start Capacitor

Frame : B56
Output : 0.75 HP
Frequency : 60 Hz
Poles : 2
Full load speed : 3525 rpm
Slip : 2.08 %
Voltage : 115/208-230 V
Rated current : 10.5/5.00-5.25 A
Locked rotor current : 63.0/31.5 A
Locked rotor current (I_L/I_n) : 6.0
No-load current : 8.30/4.15 A
Full load torque : 1.10 lb.ft
Locked rotor torque : 250 %
Breakdown torque : 280 %
Design : ---
Insulation class : B
Temperature rise : 80 K
Locked rotor time : 6 s (hot)
Service factor : 1.25 (1.00 at 208V)
Duty cycle : S1
Ambient temperature : -20°C - +40°C
Altitude : 1000 m
Degree of Protection : IP21
Approximate weight : 28 lb
Moment of inertia : 0.03322 sq.ft.lb
Noise level : ---

	D.E.	N.D.E.	Load	Power factor	Efficiency (%)
Bearings	6204 ZZ	6203 ZZ	100%	0.68	67.2
Regreasing interval	---	---	75%	0.61	64.2
Grease amount	---	---	50%	0.52	56.5

Notes:
Downloaded from <http://dealerselectric.com>
Generated for Model #.7536OS1BB56CFL

Performed by

Checked

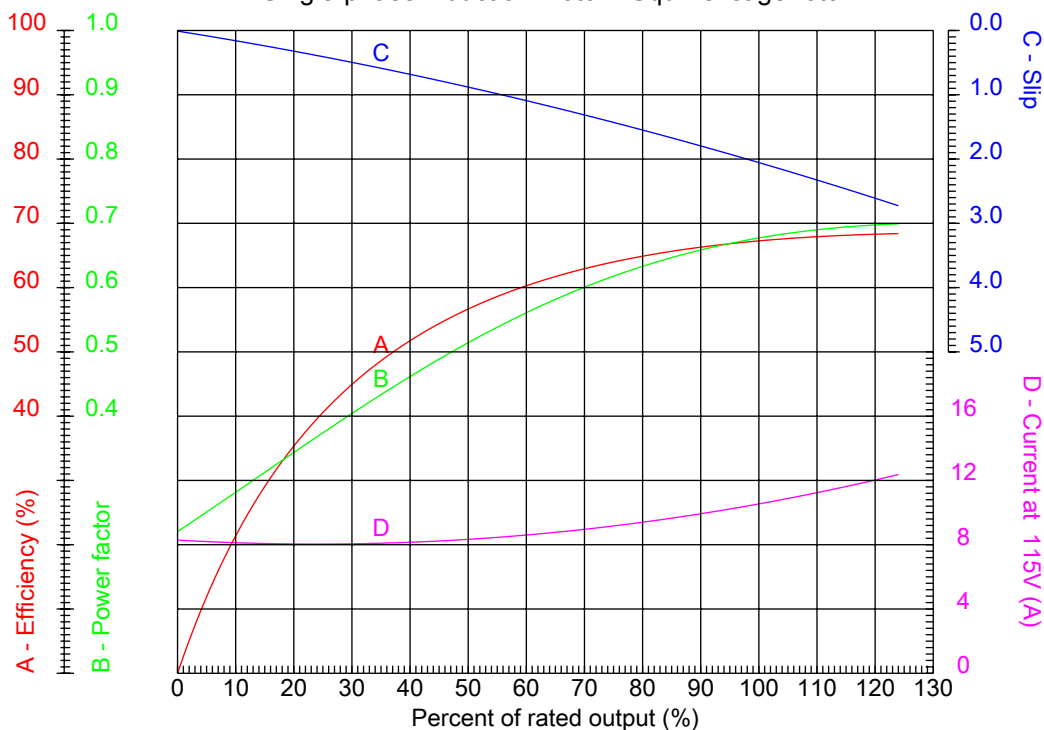


Dealers Industrial Equipment

No.:

Date: 12-SEP-2016

PERFORMANCE CURVES RELATED TO RATED OUTPUT Single-phase induction motor - Squirrel cage rotor



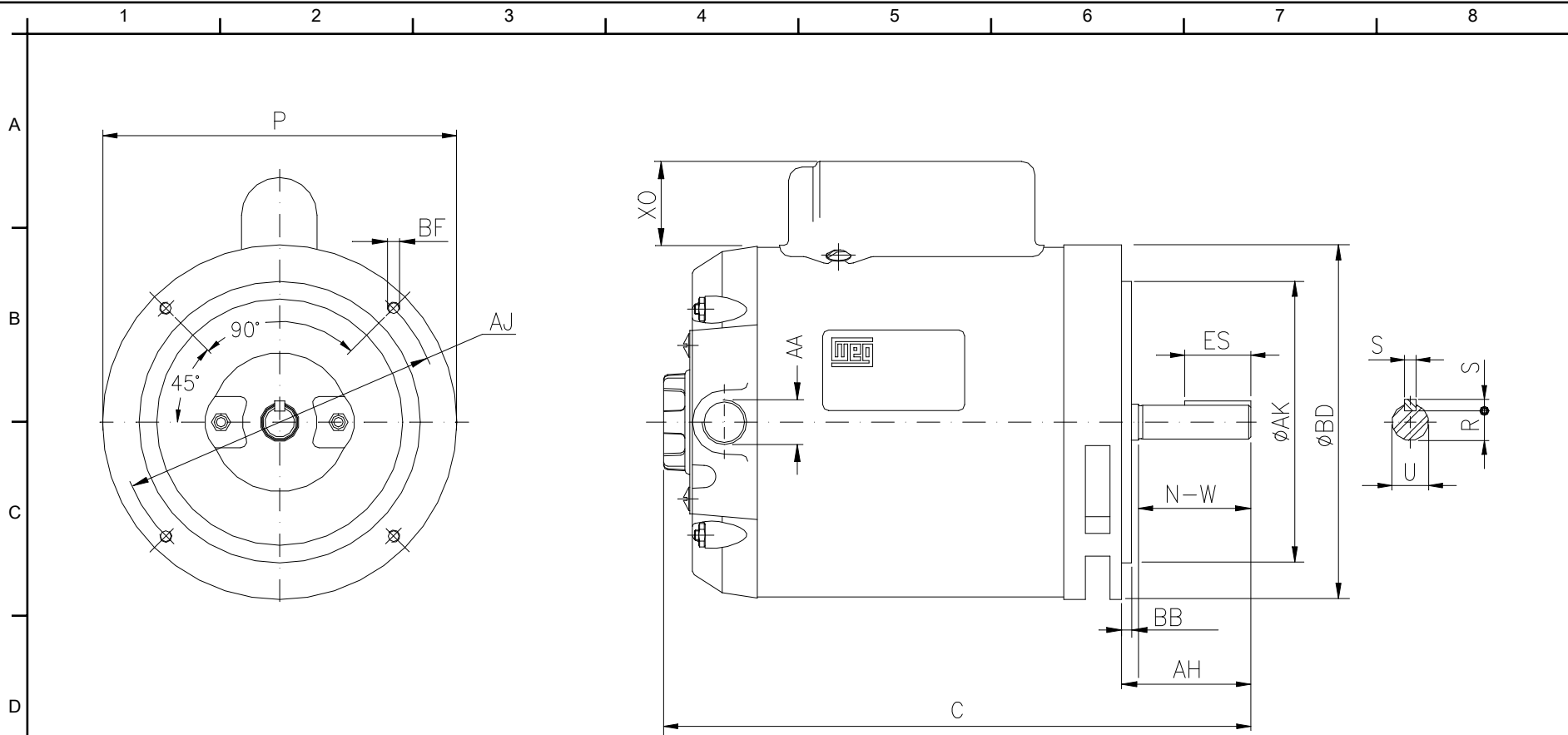
Customer :
 Product line : Single-Phase : NEMA 48 & 56 ODP - Start Capacitor

Frame	: B56	Locked rotor current (I _L /I _n)	: 6.0
Output	: 0.75 HP	Duty cycle	: S1
Frequency	: 60 Hz	Service factor	: 1.25 (1.00 at 208V)
Full load speed	: 3525 rpm	Design	: ---
Voltage	: 115/208-230 V	Locked rotor torque	: 250 %
Rated current	: 10.5/5.00-5.25 A	Breakdown torque	: 280 %
Insulation class	: B		

Notes:
 Downloaded from <http://dealerselectric.com>
 Generated for Model #.7536OS1BB56CFL

Performed by

Checked



Notes: Downloaded from <http://dealerselectric.com>
 Generated for Model #.7536OS1BB56CFL

Performed by:

Checked:

Customer:

Single-Phase : NEMA 48 & 56 ODP - Start Capacitor

C	P	ES	S	N-W
11.102	6.457	1.102	0.187	1.874
U	R	AA	d1	AH
0.6250	0.517	NPT 1/2"	A 3.15	2.063
Flange	AJ	AK	BD	BF
FC-149	5.874	4.500	6.500	UNC 3/8"x16-2B
BB				
0.157				

Single-phase induction motor
 Frame B56 - IP21

12-SEP-2016

