



Dealers Industrial Equipment

No.:

Date: 12-SEP-2016

Customer :

TECHNICAL PROPOSAL

Three-phase induction motor - Squirrel cage rotor

Product line : Three-Phase : NEMA 56 Frames - TEFC

Catalog Number : .7536ES3EB56

List Price : \$287

Notes:

Downloaded from <http://dealerselectric.com>

Generated for Model #.7536ES3EB56

Performed by:

Checked:



Dealers Industrial Equipment

No.:

Date: 12-SEP-2016

DATA SHEET

Three-phase induction motor - Squirrel cage rotor

Customer :
 Product line : Three-Phase : NEMA 56 Frames - TEFC

Frame : B56
 Output : 0.75 HP
 Frequency : 60 Hz
 Poles : 2
 Full load speed : 3470 rpm
 Slip : 3.61 %
 Voltage : 208-230/460 V
 Rated current : 2.40-2.30/1.15 A
 Locked rotor current : 17.7/8.86 A
 Locked rotor current (I_L/I_n) : 7.7
 No-load current : 1.30/0.650 A
 Full load torque : 1.12 lb.ft
 Locked rotor torque : 380 %
 Breakdown torque : 400 %
 Design : A
 Insulation class : F
 Temperature rise : 80 K
 Locked rotor time : 10 s (hot)
 Service factor : 1.15 (1.00 at 208V)
 Duty cycle : S1
 Ambient temperature : -20°C - +40°C
 Altitude : 1000 m
 Degree of Protection : IP55
 Approximate weight : 26 lb
 Moment of inertia : 0.03560 sq.ft.lb
 Noise level : ---

	D.E.	N.D.E.
Bearings	6203 ZZ	6202 ZZ
Regreasing interval	---	---
Grease amount	---	---

Load	Power factor	Efficiency (%)
100%	0.81	76.0
75%	0.72	74.0
50%	0.60	68.0

Notes:
 Downloaded from <http://dealerselectric.com>
 Generated for Model #.7536ES3EB56

Performed by

Checked



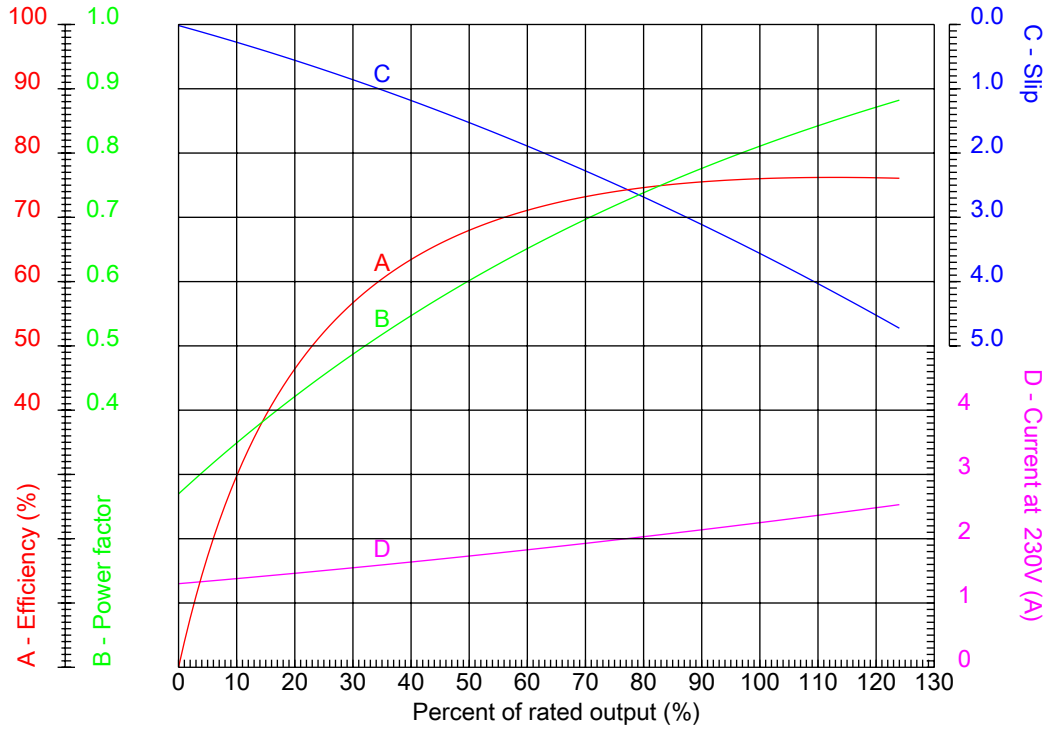
Dealers Industrial Equipment

No.:

Date: 12-SEP-2016

PERFORMANCE CURVES RELATED TO RATED OUTPUT

Three-phase induction motor - Squirrel cage rotor



Customer :
 Product line : Three-Phase : NEMA 56 Frames - TEFC

Frame	: B56	Locked rotor current (I _L /I _n)	: 7.7
Output	: 0.75 HP	Duty cycle	: S1
Frequency	: 60 Hz	Service factor	: 1.15 (1.00 at 208V)
Full load speed	: 3470 rpm	Design	: A
Voltage	: 208-230/460 V	Locked rotor torque	: 380 %
Rated current	: 2.40-2.30/1.15 A	Breakdown torque	: 400 %
Insulation class	: F		

Notes:
 Downloaded from <http://dealerselectric.com>
 Generated for Model #.7536ES3EB56

Performed by

Checked



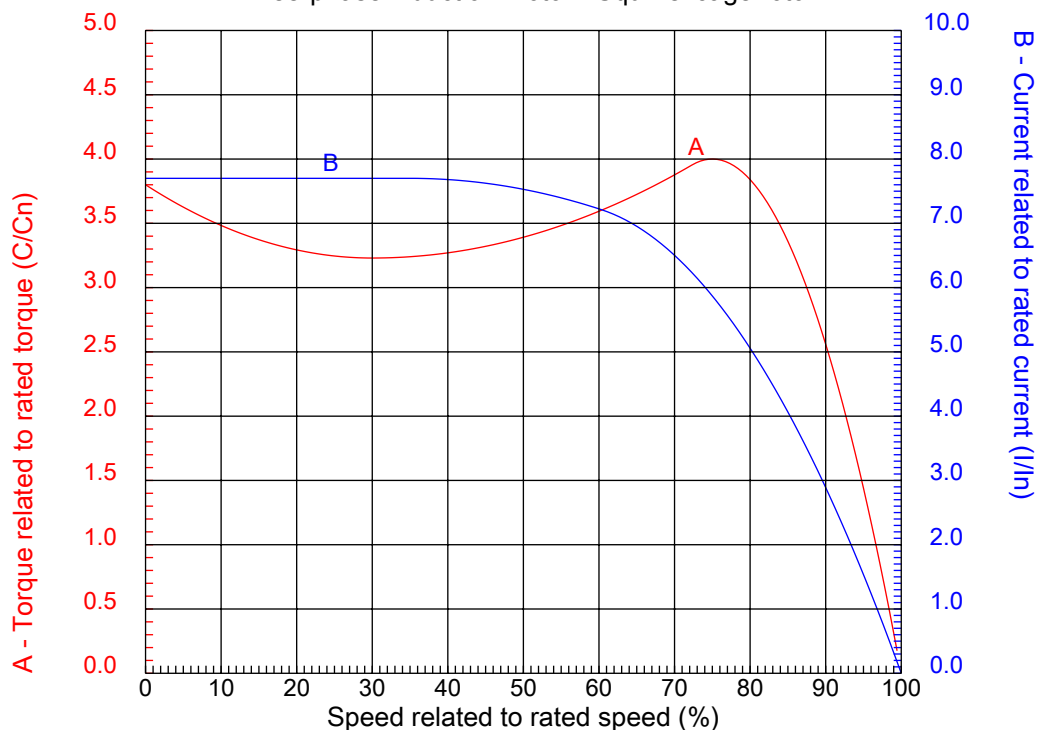
Dealers Industrial Equipment

No.:

Date: 12-SEP-2016

CHARACTERISTIC CURVES RELATED TO SPEED

Three-phase induction motor - Squirrel cage rotor



Customer :
Product line : Three-Phase : NEMA 56 Frames - TEFC

Frame	: B56	Locked rotor current (I _l /I _n)	: 7.7
Output	: 0.75 HP	Duty cycle	: S1
Frequency	: 60 Hz	Service factor	: 1.15 (1.00 at 208V)
Full load speed	: 3470 rpm	Design	: A
Voltage	: 208-230/460 V	Locked rotor torque	: 380 %
Rated current	: 2.40-2.30/1.15 A	Breakdown torque	: 400 %
Insulation class	: F		

Notes:
Downloaded from <http://dealerselectric.com>
Generated for Model #.7536ES3EB56

Performed by

Checked

1 2 3 4 5 6 7 8

A

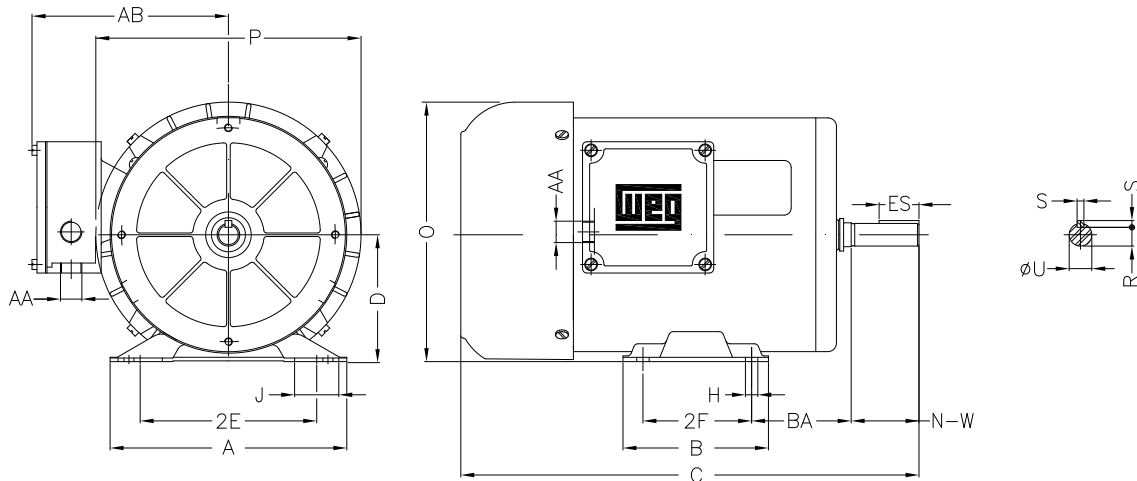
B

C

D

E

F



Notes: Downloaded from <http://dealerselectric.com>
Generated for Model #.7536ES3EB56

Performed by:

Checked:

Customer:

Three-Phase : NEMA 56 Frames - TEFC

Three-phase induction motor
Frame B56 - IP55

12-SEP-2016



2E 4.874	2F 3.000	H 0.342	H1 1.220	BA 2.750
A 6.535	B 4.016	C 11.102	D 3.500	J 1.220
O 7.165	P 7.323	S 0.187	ES 1.102	R 0.517
N-W 1.874	U 0.6250	AB 5.433	AA 2xNPT 1/2"	

1 2 3 4 5 6 7 8

A

LOW VOLTAGE

HIGH VOLTAGE

B



C

L1 L2 L3

L1 L2 L3



D

E

F

Notes: Downloaded from <http://dealerselectric.com>
 Generated for Model #.7536ES3EB56

Performed by:

Checked:

Customer:

Three-Phase : NEMA 56 Frames - TEFC

Three-phase induction motor
 Frame B56 - IP55

12-SEP-2016

