



Dealers Industrial Equipment

No.:

Date: 12-SEP-2016

Customer :

TECHNICAL PROPOSAL

Single-phase induction motor - Squirrel cage rotor

Product line : Jet Pump - NEMA 56 : Single-Phase - Threaded - TEFC (IP55)

Catalog Number : .7536ES1BJPR56J

List Price : \$336

Notes:

Downloaded from <http://dealerselectric.com>

Generated for Model #.7536ES1BJPR56J

Performed by:

Checked:



Dealers Industrial Equipment

No.:

Date: 12-SEP-2016

DATA SHEET

Single-phase induction motor - Squirrel cage rotor

Customer :
Product line : Jet Pump - NEMA 56 : Single-Phase - Threaded - TEFC (IP55)

Frame : B56
Output : 0.75 HP
Frequency : 60 Hz
Poles : 2
Full load speed : 3490 rpm
Slip : 3.06 %
Voltage : 115/208-230 V
Rated current : 10.4/5.00-5.20 A
Locked rotor current : 65.5/32.8 A
Locked rotor current (I_L/I_n) : 6.3
No-load current : 7.60/3.80 A
Full load torque : 1.11 lb.ft
Locked rotor torque : 300 %
Breakdown torque : 290 %
Design : ---
Insulation class : B
Temperature rise : 80 K
Locked rotor time : 6 s (hot)
Service factor : 1.15 (1.00 at 208V)
Duty cycle : S1
Ambient temperature : -20°C - +40°C
Altitude : 1000 m
Degree of Protection : IP55
Approximate weight : 29 lb
Moment of inertia : 0.03963 sq.ft.lb
Noise level : ---

	D.E.	N.D.E.
Bearings	6203 2RS	6202 2RS
Regreasing interval	---	---
Grease amount	---	---

Load	Power factor	Efficiency (%)
100%	0.72	64.0
75%	0.64	60.0
50%	0.54	52.0

Notes:
Downloaded from <http://dealerselectric.com>
Generated for Model #.7536ES1BJPR56J

Performed by

Checked



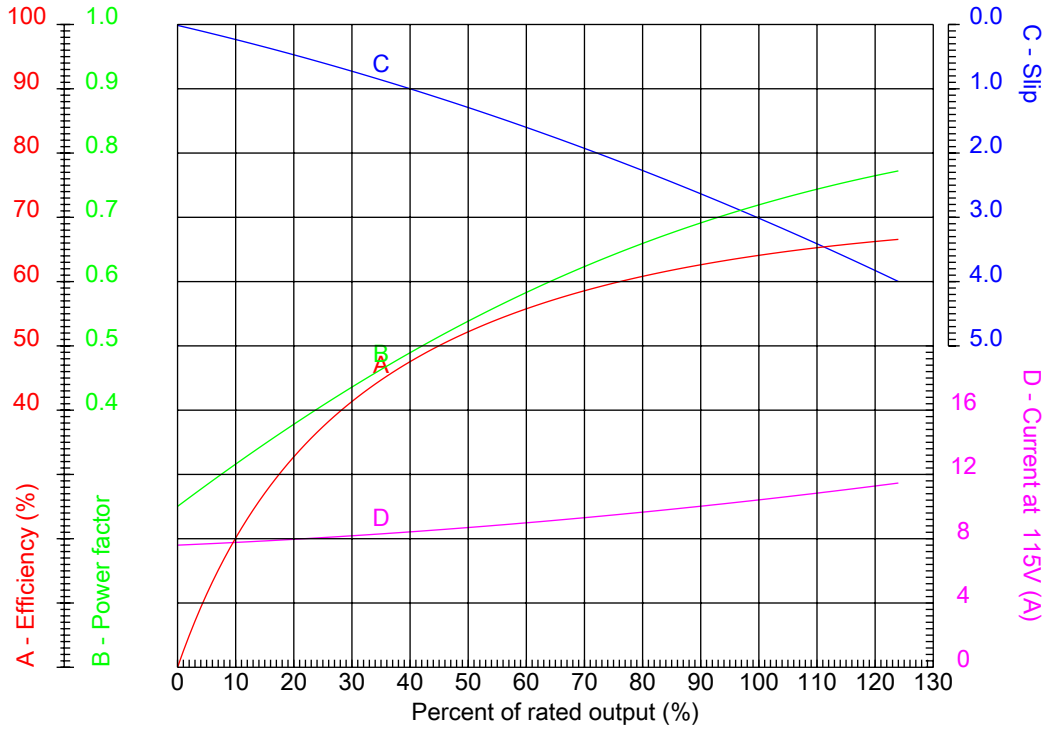
Dealers Industrial Equipment

No.:

Date: 12-SEP-2016

PERFORMANCE CURVES RELATED TO RATED OUTPUT

Single-phase induction motor - Squirrel cage rotor



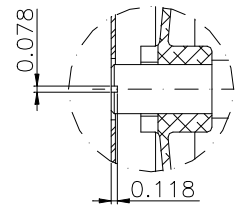
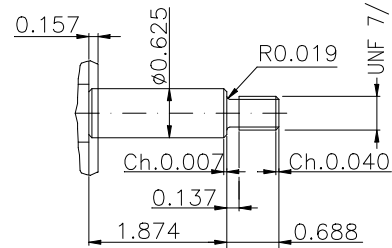
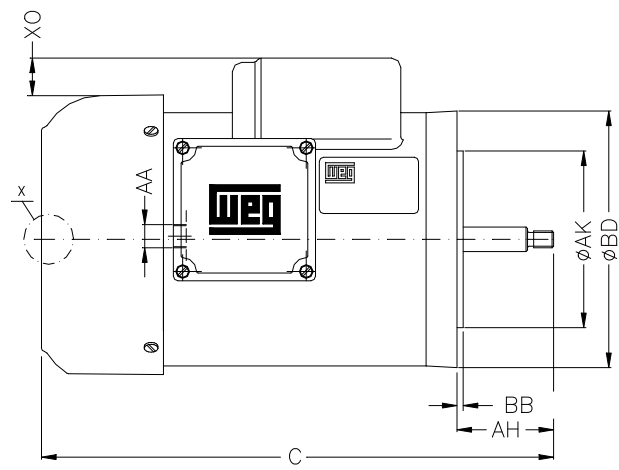
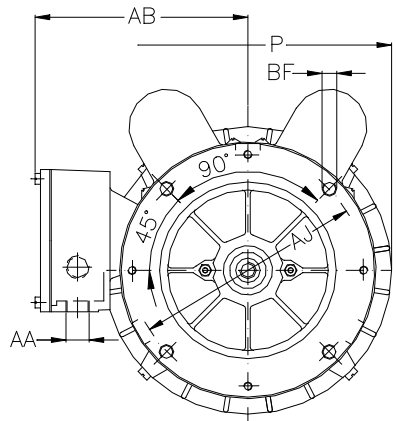
Customer :
 Product line : Jet Pump - NEMA 56 : Single-Phase - Threaded - TEFC (IP55)

Frame : B56	Locked rotor current (I _L /I _n) : 6.3
Output : 0.75 HP	Duty cycle : S1
Frequency : 60 Hz	Service factor : 1.15 (1.00 at 208V)
Full load speed : 3490 rpm	Design : ---
Voltage : 115/208-230 V	Locked rotor torque : 300 %
Rated current : 10.4/5.00-5.20 A	Breakdown torque : 290 %
Insulation class : B	

Notes:
 Downloaded from <http://dealerselectric.com>
 Generated for Model #.7536ES1BJPR56J

Performed by

Checked



THREE-PHASE, FORM J, WITH INTERNAL
 THREAD OF 1/4"x28 UNF AT SHAFT-END,
 FOR CLAMPING THE PUMP ROTOR.

DETAIL X

Notes: Downloaded from <http://dealerselectric.com>
 Generated for Model #.7536ES1BJPR56J

Performed by:

Checked:

Customer:

Jet Pump - NEMA 56 : Single-Phase - Threaded - TEFC (IP55)

P 7.323	C 11.614	N-W 1.874	U 0.6250	AB 5.433
AA NPT 1/2"	d1 D UNF 1/4"-28	Flange FC-149	AJ 5.874	AK 4.500
BD 6.535	BF UNC 3/8"x16-2B	BB 0.157	AH 2.563	

Single-phase induction motor
 Frame B56 - IP55

12-SEP-2016

