



Dealers Industrial Equipment

No.:

Date: 12-SEP-2016

Customer :

TECHNICAL PROPOSAL

Single-phase induction motor - Squirrel cage rotor

Product line : Jet Pump - NEMA 56 : Single-Phase - Keyed - TEFC (IP55)

Catalog Number : .7536ES1BJPR56C

List Price : \$341

Notes:

Downloaded from <http://dealerselectric.com>

Generated for Model #.7536ES1BJPR56C

Performed by:

Checked:



Dealers Industrial Equipment

No.:

Date: 12-SEP-2016

DATA SHEET Single-phase induction motor - Squirrel cage rotor

Customer :
 Product line : Jet Pump - NEMA 56 : Single-Phase - Keyed - TEFC (IP55)

Frame : B56
 Output : 0.75 HP
 Frequency : 60 Hz
 Poles : 2
 Full load speed : 3490 rpm
 Slip : 3.06 %
 Voltage : 115/208-230 V
 Rated current : 10.4/5.00-5.20 A
 Locked rotor current : 65.5/32.8 A
 Locked rotor current (I_L/I_n) : 6.3
 No-load current : 7.60/3.80 A
 Full load torque : 1.11 lb.ft
 Locked rotor torque : 300 %
 Breakdown torque : 290 %
 Design : ---
 Insulation class : B
 Temperature rise : 80 K
 Locked rotor time : 6 s (hot)
 Service factor : 1.15 (1.00 at 208V)
 Duty cycle : S1
 Ambient temperature : -20°C - +40°C
 Altitude : 1000 m
 Degree of Protection : IP55
 Approximate weight : 29 lb
 Moment of inertia : 0.03963 sq.ft.lb
 Noise level : ---

	D.E.	N.D.E.
Bearings	6203 2RS	6202 2RS
Regreasing interval	---	---
Grease amount	---	---

Load	Power factor	Efficiency (%)
100%	0.72	64.0
75%	0.64	60.0
50%	0.54	52.0

Notes:
 Downloaded from <http://dealerselectric.com>
 Generated for Model #.7536ES1BJPR56C

Performed by

Checked



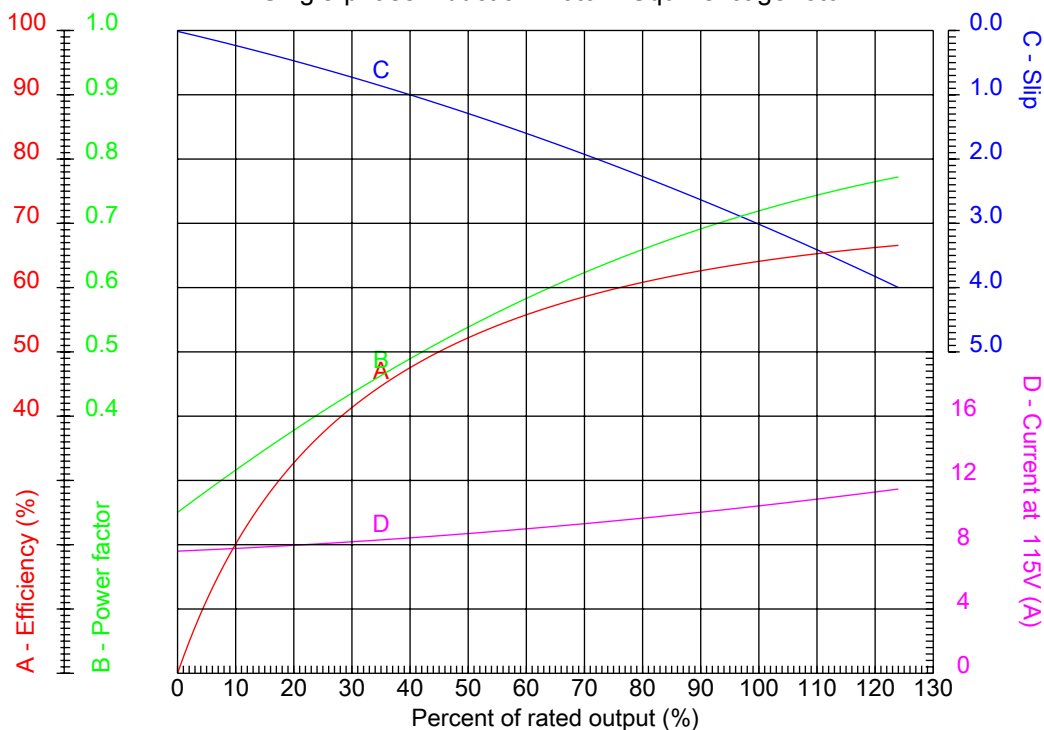
Dealers Industrial Equipment

No.:

Date: 12-SEP-2016

PERFORMANCE CURVES RELATED TO RATED OUTPUT

Single-phase induction motor - Squirrel cage rotor



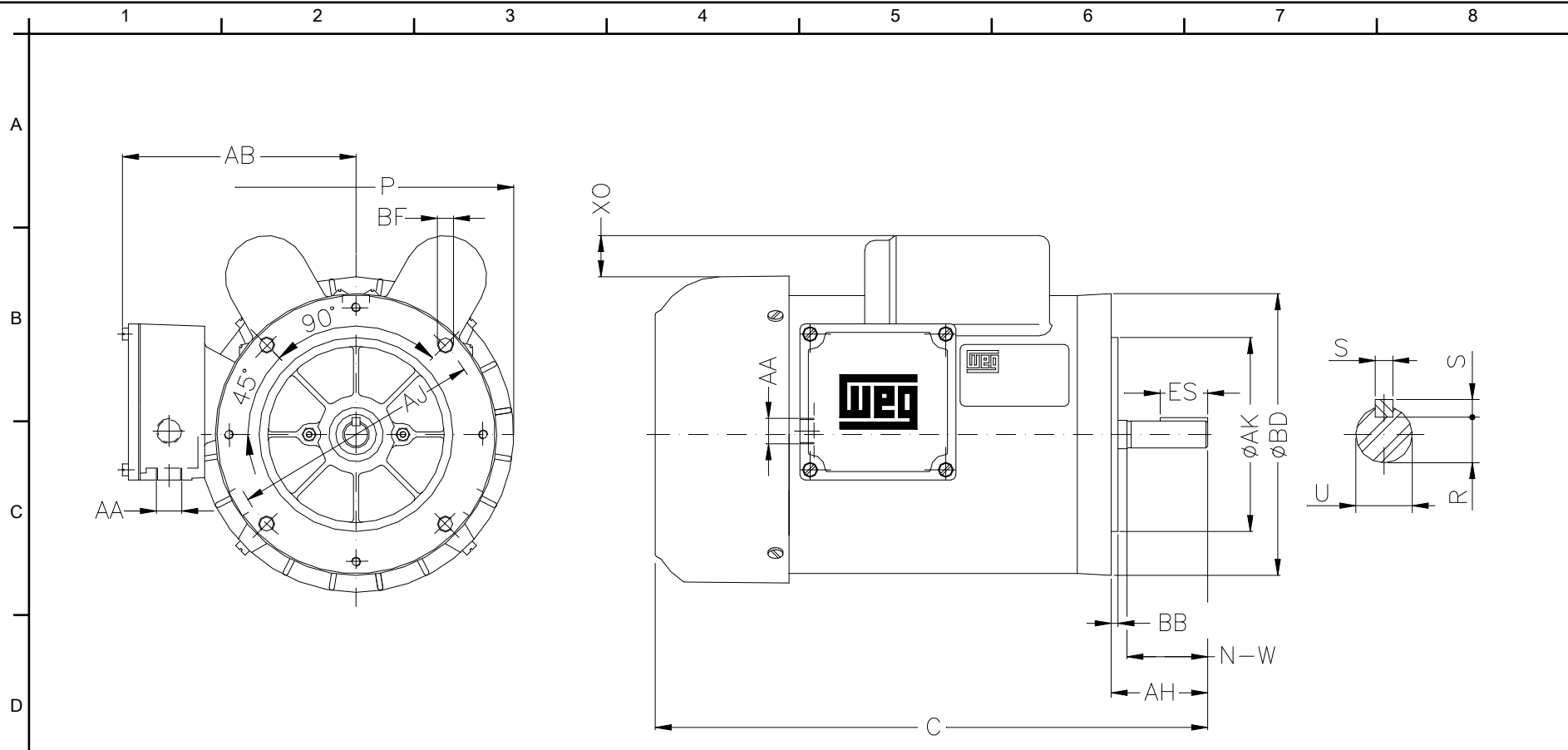
Customer :
 Product line : Jet Pump - NEMA 56 : Single-Phase - Keyed - TEFC (IP55)

Frame	: B56	Locked rotor current (I _l /I _n)	: 6.3
Output	: 0.75 HP	Duty cycle	: S1
Frequency	: 60 Hz	Service factor	: 1.15 (1.00 at 208V)
Full load speed	: 3490 rpm	Design	: ---
Voltage	: 115/208-230 V	Locked rotor torque	: 300 %
Rated current	: 10.4/5.00-5.20 A	Breakdown torque	: 290 %
Insulation class	: B		

Notes:
 Downloaded from <http://dealerselectric.com>
 Generated for Model #.7536ES1BJPR56C

Performed by

Checked



Notes: Downloaded from <http://dealerselectric.com>
 Generated for Model #.7536ES1BJPR56C

Performed by:

Checked:

Customer:

Jet Pump - NEMA 56 : Single-Phase - Keyed - TEFC (IP55)

P	C	ES	N-W	U
7.323	11.102	1.417	1.874	0.6250
S	R	AB	AA	d1
0.187	0.517	5.433	NPT 1/2"	D UNF 1/4"-28
Flange	AJ	AK	BD	BF
FC-149	5.874	4.500	6.535	UNC 3/8"x16-2B
BB	AH			
0.157	2.063			

Single-phase induction motor
 Frame B56 - IP55

12-SEP-2016

