



# Dealers Industrial Equipment

No.:

Date: 12-SEP-2016

Customer :

## TECHNICAL PROPOSAL

### Three-phase induction motor - Squirrel cage rotor

Product line : Three-Phase: Fractional Explosion Proof Motors

Catalog Number : .7518XS3E56C

List Price : \$944

#### Notes:

Downloaded from <http://dealerselectric.com>

Generated for Model #.7518XS3E56C

Performed by:

Checked:



Dealers Industrial Equipment

No.:

Date: 12-SEP-2016

### DATA SHEET Three-phase induction motor - Squirrel cage rotor

Customer :  
Product line : Three-Phase: Fractional Explosion Proof Motors

Frame : 56  
Output : 0.75 HP  
Frequency : 60 Hz  
Poles : 4  
Full load speed : 1725 rpm  
Slip : 4.17 %  
Voltage : 208-230/460 V  
Rated current : 2.76-2.50/1.25 A  
Locked rotor current : 15.3/7.63 A  
Locked rotor current (I<sub>L</sub>/I<sub>n</sub>) : 6.1  
No-load current : 2.00/1.00 A  
Full load torque : 2.25 lb.ft  
Locked rotor torque : 300 %  
Breakdown torque : 400 %  
Design : A  
Insulation class : F  
Temperature rise : 80 K  
Locked rotor time : 7 s (hot)  
Service factor : 1.00  
Duty cycle : S1  
Ambient temperature : -20°C - +50°C  
Altitude : 1000 m  
Degree of Protection : IP55  
Approximate weight : 25 lb  
Moment of inertia : 0.02183 sq.ft.lb  
Noise level : ---

	D.E.	N.D.E.
Bearings	6203 ZZ	6203 ZZ
Regreasing interval	---	---
Grease amount	---	---

Load	Power factor	Efficiency (%)
100%	0.71	77.8
75%	0.62	75.0
50%	0.51	70.0

Notes:  
Downloaded from <http://dealerselectric.com>  
Generated for Model #.7518XS3E56C

Performed by

Checked



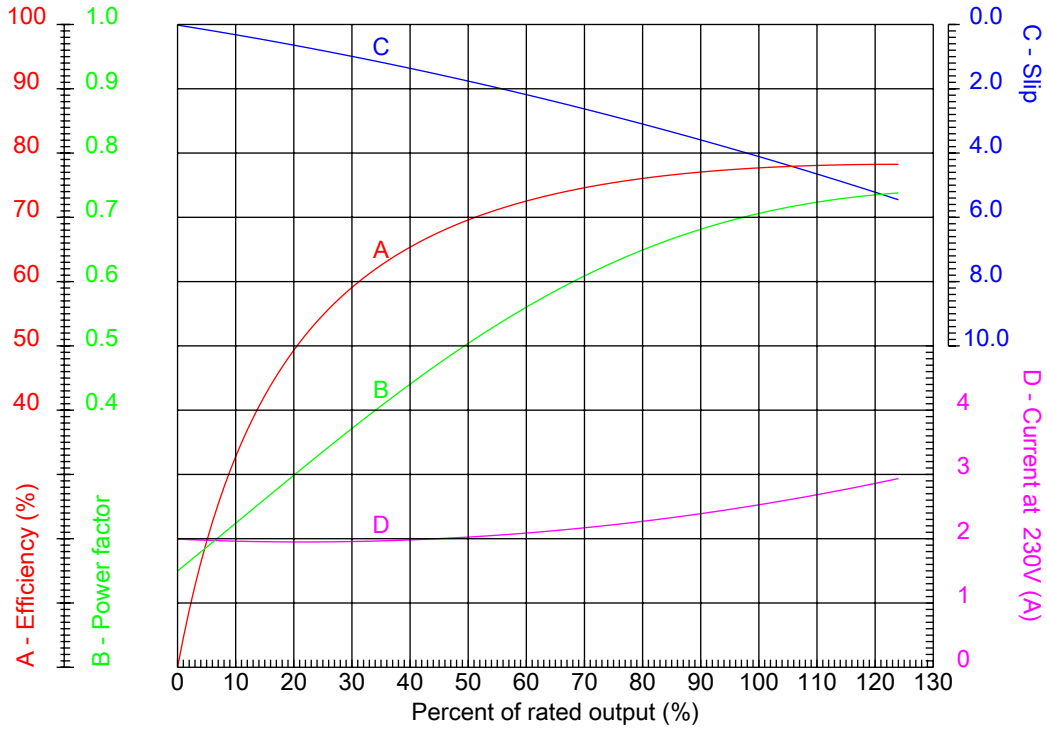
# Dealers Industrial Equipment

No.:

Date: 12-SEP-2016

## PERFORMANCE CURVES RELATED TO RATED OUTPUT

Three-phase induction motor - Squirrel cage rotor



Customer :  
 Product line : Three-Phase: Fractional Explosion Proof Motors

Frame	: 56	Locked rotor current (I <sub>l</sub> /I <sub>n</sub> )	: 6.1
Output	: 0.75 HP	Duty cycle	: S1
Frequency	: 60 Hz	Service factor	: 1.00
Full load speed	: 1725 rpm	Design	: A
Voltage	: 208-230/460 V	Locked rotor torque	: 300 %
Rated current	: 2.76-2.50/1.25 A	Breakdown torque	: 400 %
Insulation class	: F		

Notes:  
 Downloaded from <http://dealerselectric.com>  
 Generated for Model #.7518XS3E56C

Performed by

Checked



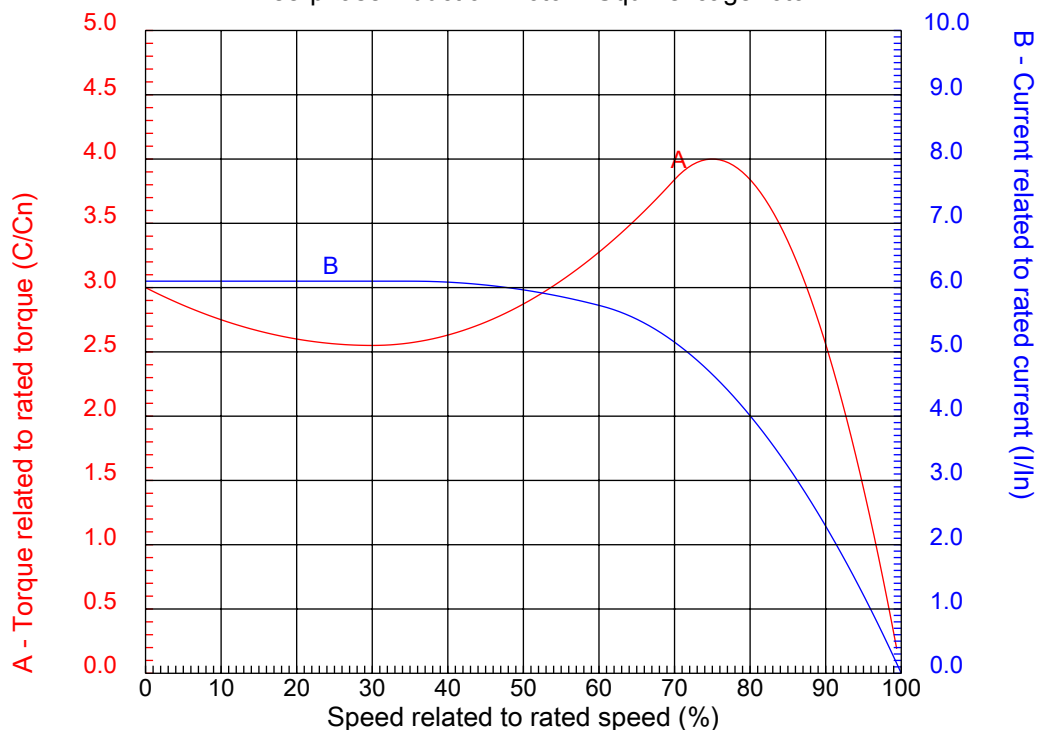
# Dealers Industrial Equipment

No.:

Date: 12-SEP-2016

## CHARACTERISTIC CURVES RELATED TO SPEED

Three-phase induction motor - Squirrel cage rotor



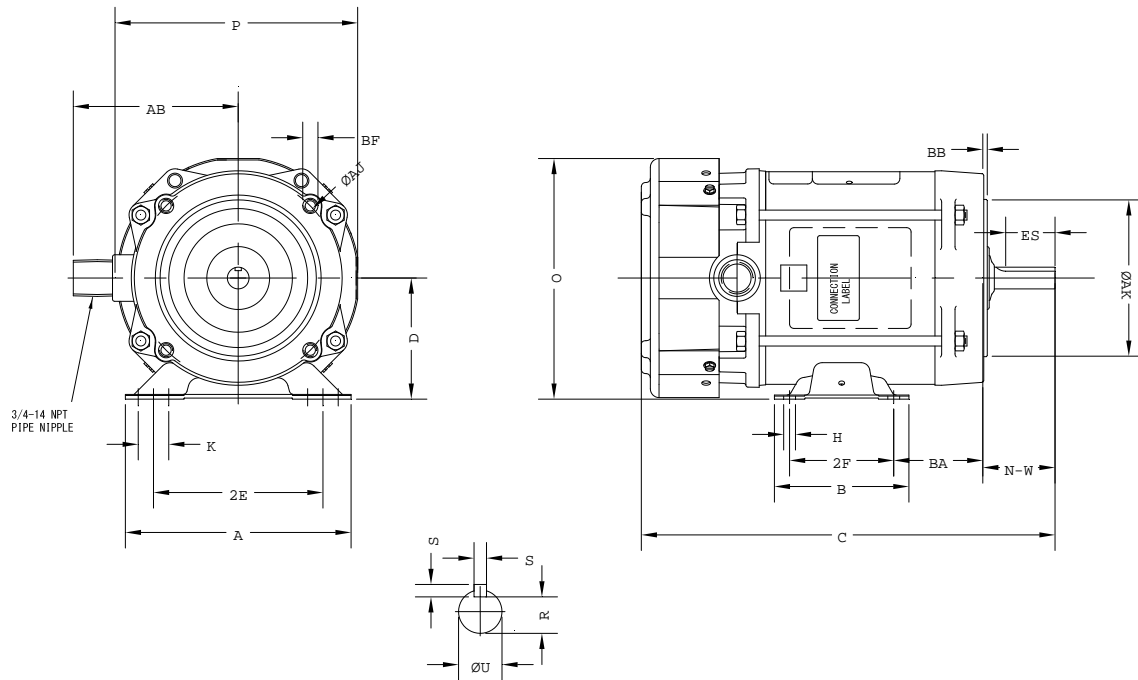
Customer :  
Product line : Three-Phase: Fractional Explosion Proof Motors

Frame	: 56	Locked rotor current (I <sub>l</sub> /I <sub>n</sub> )	: 6.1
Output	: 0.75 HP	Duty cycle	: S1
Frequency	: 60 Hz	Service factor	: 1.00
Full load speed	: 1725 rpm	Design	: A
Voltage	: 208-230/460 V	Locked rotor torque	: 300 %
Rated current	: 2.76-2.50/1.25 A	Breakdown torque	: 400 %
Insulation class	: F		

Notes:  
Downloaded from <http://dealerselectric.com>  
Generated for Model #.7518XS3E56C

Performed by

Checked



Notes: Downloaded from <http://dealerselectric.com>  
Generated for Model #.7518XS3E56C

Performed by:

Checked:

Customer:

Three-Phase: Fractional Explosion Proof Motors

Three-phase induction motor  
Frame 56 - IP55

12-SEP-2016



2E 4.880	A 6.500	P 6.980	B 3.880	BA 2.750
U 0.6250	N-W 1.880	ES 1.380	S 0.190	R 0.517
D 3.500	O 6.920	H 0.340	C 12.290	d1 SEM
Flange FC-149	AJ 5.880	AK 4.500	BD 6.000	BF UNC 3/8"x16-2B
BB 0.160	AH 2.060			

A

B

C

D

E

F

1

2

3

4

5

6

7

8