



# Dealers Industrial Equipment

No.:

Date: 12-SEP-2016

Customer :

## TECHNICAL PROPOSAL

### Three-phase induction motor - Squirrel cage rotor

Product line : Three-Phase : NEMA 56 Frames - ODP

Catalog Number : .7518OS3EB56C

List Price : \$303

#### Notes:

Downloaded from <http://dealerselectric.com>

Generated for Model #.7518OS3EB56C

Performed by:

Checked:



# Dealers Industrial Equipment

No.:

Date: 12-SEP-2016

## DATA SHEET Three-phase induction motor - Squirrel cage rotor

Customer :  
Product line : Three-Phase : NEMA 56 Frames - ODP

Frame : B56  
 Output : 0.75 HP  
 Frequency : 60 Hz  
 Poles : 4  
 Full load speed : 1735 rpm  
 Slip : 3.61 %  
 Voltage : 208-230/460 V  
 Rated current : 2.65-2.66/1.33 A  
 Locked rotor current : 16.8/8.38 A  
 Locked rotor current (I<sub>L</sub>/I<sub>n</sub>) : 6.3  
 No-load current : 2.00/1.00 A  
 Full load torque : 2.24 lb.ft  
 Locked rotor torque : 240 %  
 Breakdown torque : 280 %  
 Design : A  
 Insulation class : B  
 Temperature rise : 80 K  
 Locked rotor time : 10 s (hot)  
 Service factor : 1.25 (1.00 at 208V)  
 Duty cycle : S1  
 Ambient temperature : -20°C - +40°C  
 Altitude : 1000 m  
 Degree of Protection : IP21  
 Approximate weight : 24 lb  
 Moment of inertia : 0.06455 sq.ft.lb  
 Noise level : ---

	D.E.	N.D.E.
Bearings	6204 ZZ	6203 ZZ
Regreasing interval	---	---
Grease amount	---	---

Load	Power factor	Efficiency (%)
100%	0.72	72.0
75%	0.63	70.0
50%	0.50	64.0

Notes:  
 Downloaded from <http://dealerselectric.com>  
 Generated for Model #.7518OS3EB56C

Performed by

Checked



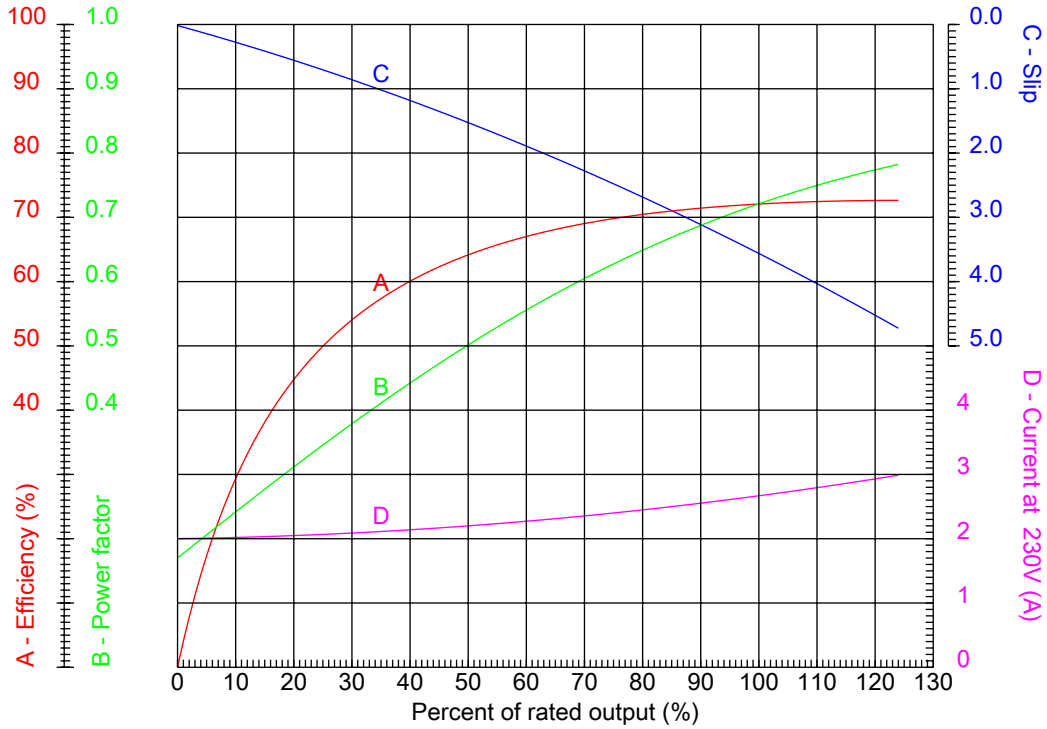
# Dealers Industrial Equipment

No.:

Date: 12-SEP-2016

## PERFORMANCE CURVES RELATED TO RATED OUTPUT

Three-phase induction motor - Squirrel cage rotor



Customer :  
Product line : Three-Phase : NEMA 56 Frames - ODP

Frame	: B56	Locked rotor current (I <sub>L</sub> /I <sub>n</sub> )	: 6.3
Output	: 0.75 HP	Duty cycle	: S1
Frequency	: 60 Hz	Service factor	: 1.25 (1.00 at 208V)
Full load speed	: 1735 rpm	Design	: A
Voltage	: 208-230/460 V	Locked rotor torque	: 240 %
Rated current	: 2.65-2.66/1.33 A	Breakdown torque	: 280 %
Insulation class	: B		

Notes:  
Downloaded from <http://dealerselectric.com>  
Generated for Model #.7518OS3EB56C

Performed by

Checked



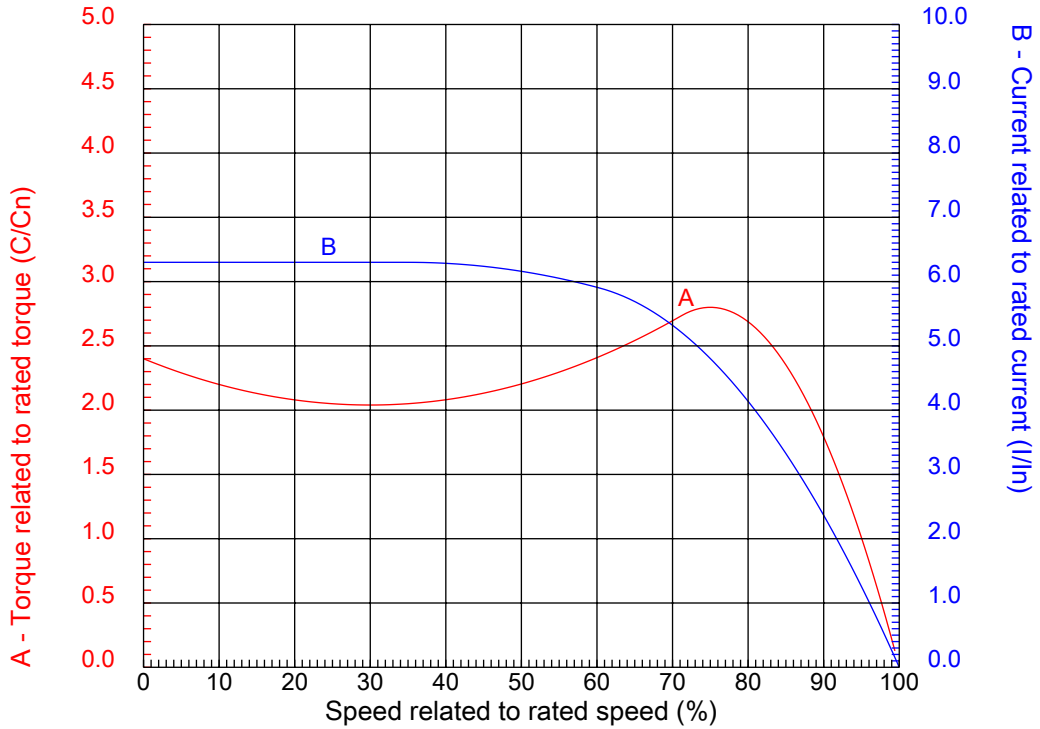
# Dealers Industrial Equipment

No.:

Date: 12-SEP-2016

## CHARACTERISTIC CURVES RELATED TO SPEED

Three-phase induction motor - Squirrel cage rotor



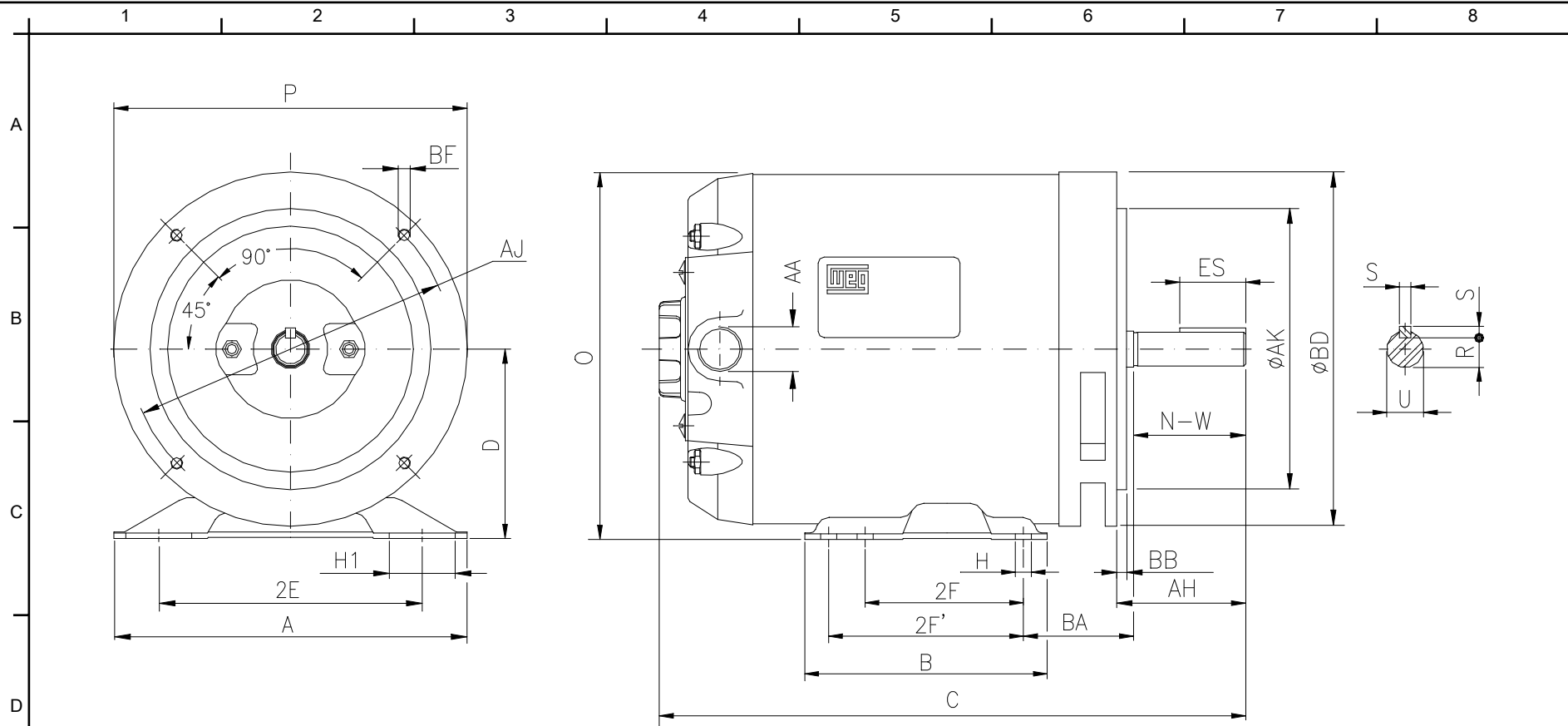
Customer :  
 Product line : Three-Phase : NEMA 56 Frames - ODP

Frame	: B56	Locked rotor current (I <sub>l</sub> /I <sub>n</sub> )	: 6.3
Output	: 0.75 HP	Duty cycle	: S1
Frequency	: 60 Hz	Service factor	: 1.25 (1.00 at 208V)
Full load speed	: 1735 rpm	Design	: A
Voltage	: 208-230/460 V	Locked rotor torque	: 240 %
Rated current	: 2.65-2.66/1.33 A	Breakdown torque	: 280 %
Insulation class	: B		

Notes:  
 Downloaded from <http://dealerselectric.com>  
 Generated for Model #.7518OS3EB56C

Performed by

Checked



Notes: Downloaded from <http://dealerselectric.com>  
 Generated for Model #.7518OS3EB56C

Performed by:

Checked:

Customer:

2E	H	A	2F	B
4.874	0.342	6.535	3.000	4.016
BA	J	P	ES	S
2.750	1.220	6.457	1.102	0.187
N-W	depth	U	R	d1
1.874	0.187	0.6250	0.517	A 3,15
D	O	C	AA	Flange
3.500	6.732	11.102	NPT 1/2"	FC-149
AJ	AK	BD	BF	BB
5.874	4.500	6.500	UNC 3/8"x16-2B	0.157

Three-Phase : NEMA 56 Frames - ODP

Three-phase induction motor  
 Frame B56 - IP21

12-SEP-2016



1 2 3 4 5 6 7 8

A

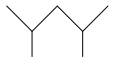
### LOW VOLTAGE

### HIGH VOLTAGE

B



C



D

E

F

Notes: Downloaded from <http://dealerselectric.com>  
 Generated for Model #.7518OS3EB56C

Performed by:

Checked:

Customer:

Three-Phase : NEMA 56 Frames - ODP

Three-phase induction motor  
 Frame B56 - IP21

12-SEP-2016

