



Dealers Industrial Equipment

No.:

Date: 12-SEP-2016

Customer :

TECHNICAL PROPOSAL

Single-phase induction motor - Squirrel cage rotor

Product line : Single-Phase : NEMA 48 & 56 ODP - Start Capacitor

Catalog Number : .7518OS1BD56CFL

List Price : \$349

Notes:

Downloaded from <http://dealerselectric.com>

Generated for Model #.7518OS1BD56CFL

Performed by:

Checked:



Dealers Industrial Equipment

No.:

Date: 12-SEP-2016

DATA SHEET Single-phase induction motor - Squirrel cage rotor

Customer :
 Product line : Single-Phase : NEMA 48 & 56 ODP - Start Capacitor

Frame : D56
 Output : 0.75 HP
 Frequency : 60 Hz
 Poles : 4
 Full load speed : 1745 rpm
 Slip : 3.06 %
 Voltage : 115/208-230 V
 Rated current : 11.6/5.78 A
 Locked rotor current : 70.5/35.3 A
 Locked rotor current (I_L/I_n) : 6.1
 No-load current : 8.91/4.46 A
 Full load torque : 2.23 lb.ft
 Locked rotor torque : 330 %
 Breakdown torque : 280 %
 Design : ---
 Insulation class : B
 Temperature rise : 80 K
 Locked rotor time : 6 s (hot)
 Service factor : 1.25 (1.00 at 208V)
 Duty cycle : S1
 Ambient temperature : -20°C - +40°C
 Altitude : 1000 m
 Degree of Protection : IP21
 Approximate weight : 30 lb
 Moment of inertia : 0.10702 sq.ft.lb
 Noise level : ---

	D.E.	N.D.E.
Bearings	6204 ZZ	6203 ZZ
Regreasing interval	---	---
Grease amount	---	---

Load	Power factor	Efficiency (%)
100%	0.62	67.0
75%	0.53	66.0
50%	0.42	59.0

Notes:
 Downloaded from <http://dealerselectric.com>
 Generated for Model #.7518OS1BD56CFL

Performed by

Checked



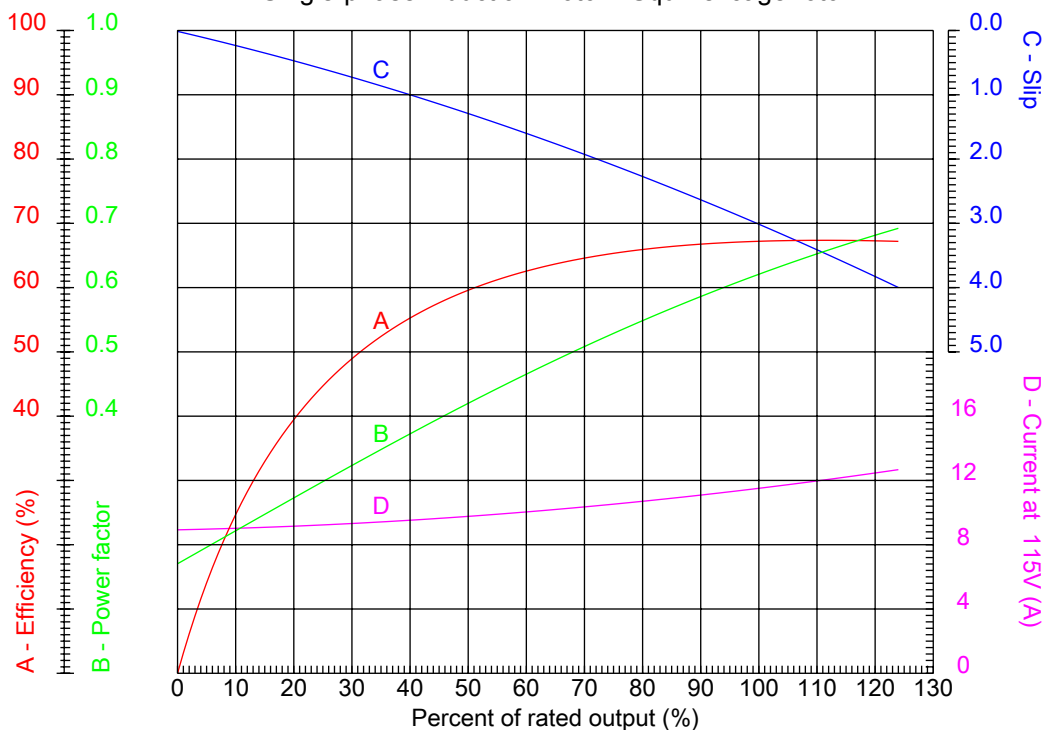
Dealers Industrial Equipment

No.:

Date: 12-SEP-2016

PERFORMANCE CURVES RELATED TO RATED OUTPUT

Single-phase induction motor - Squirrel cage rotor



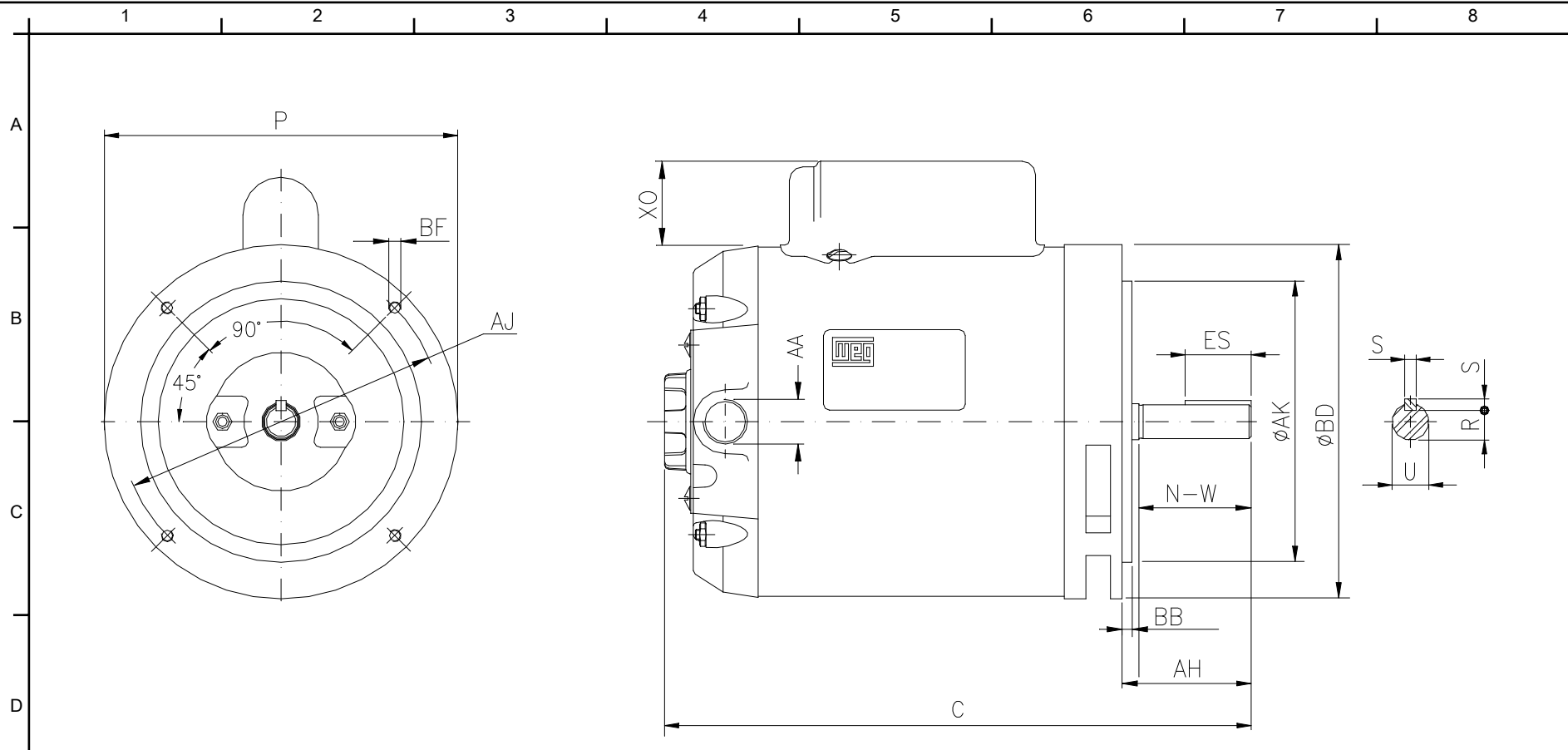
Customer :
 Product line : Single-Phase : NEMA 48 & 56 ODP - Start Capacitor

Frame : D56	Locked rotor current (I _L /I _n) : 6.1
Output : 0.75 HP	Duty cycle : S1
Frequency : 60 Hz	Service factor : 1.25 (1.00 at 208V)
Full load speed : 1745 rpm	Design : ---
Voltage : 115/208-230 V	Locked rotor torque : 330 %
Rated current : 11.6/5.78 A	Breakdown torque : 280 %
Insulation class : B	

Notes:
 Downloaded from <http://dealerselectric.com>
 Generated for Model #.7518OS1BD56CFL

Performed by

Checked



Notes: Downloaded from <http://dealerselectric.com>
 Generated for Model #.7518OS1BD56CFL

Performed by:

Checked:

Customer:

Single-Phase : NEMA 48 & 56 ODP - Start Capacitor

C	P	ES	S	N-W
12.283	6.457	1.102	0.187	1.874
U	R	AA	d1	AH
0.6250	0.517	NPT 1/2"	A 3.15	2.063
Flange	AJ	AK	BD	BF
FC-149	5.874	4.500	6.500	UNC 3/8"x16-2B
BB				
0.157				

Single-phase induction motor
 Frame D56 - IP21

12-SEP-2016

