



Dealers Industrial Equipment

No.:

Date: 12-SEP-2016

Customer :

TECHNICAL PROPOSAL

Single-phase induction motor - Squirrel cage rotor

Product line : Farm Duty Motors : TEFC (IP55) - Single-Phase

Catalog Number : .7518ES1RFDB56

List Price : \$357

Notes:

Downloaded from <http://dealerselectric.com>

Generated for Model #.7518ES1RFDB56

Performed by:

Checked:



Dealers Industrial Equipment

No.:

Date: 12-SEP-2016

DATA SHEET

Single-phase induction motor - Squirrel cage rotor

Customer :
Product line : Farm Duty Motors : TEFC (IP55) - Single-Phase

Frame : B56
Output : 0.75 HP
Frequency : 60 Hz
Poles : 4
Full load speed : 1745 rpm
Slip : 3.06 %
Voltage : 115/230 V
Rated current : 10.6/5.30 A
Locked rotor current : 65.7/32.9 A
Locked rotor current (I_L/I_n) : 6.2
No-load current : 8.00/4.00 A
Full load torque : 2.23 lb.ft
Locked rotor torque : 300 %
Breakdown torque : 250 %
Design : ---
Insulation class : B
Temperature rise : 80 K
Locked rotor time : 6 s (hot)
Service factor : 1.15
Duty cycle : S1
Ambient temperature : -20°C - +40°C
Altitude : 1000 m
Degree of Protection : IP55
Approximate weight : 28 lb
Moment of inertia : 0.09824 sq.ft.lb
Noise level : ---

	D.E.	N.D.E.
Bearings	6203 ZZ	6202 ZZ
Regreasing interval	---	---
Grease amount	---	---

Load	Power factor	Efficiency (%)
100%	0.66	68.5
75%	0.58	66.0
50%	0.47	58.5

Notes:
Downloaded from <http://dealerselectric.com>
Generated for Model #.7518ES1RFDB56

Performed by

Checked



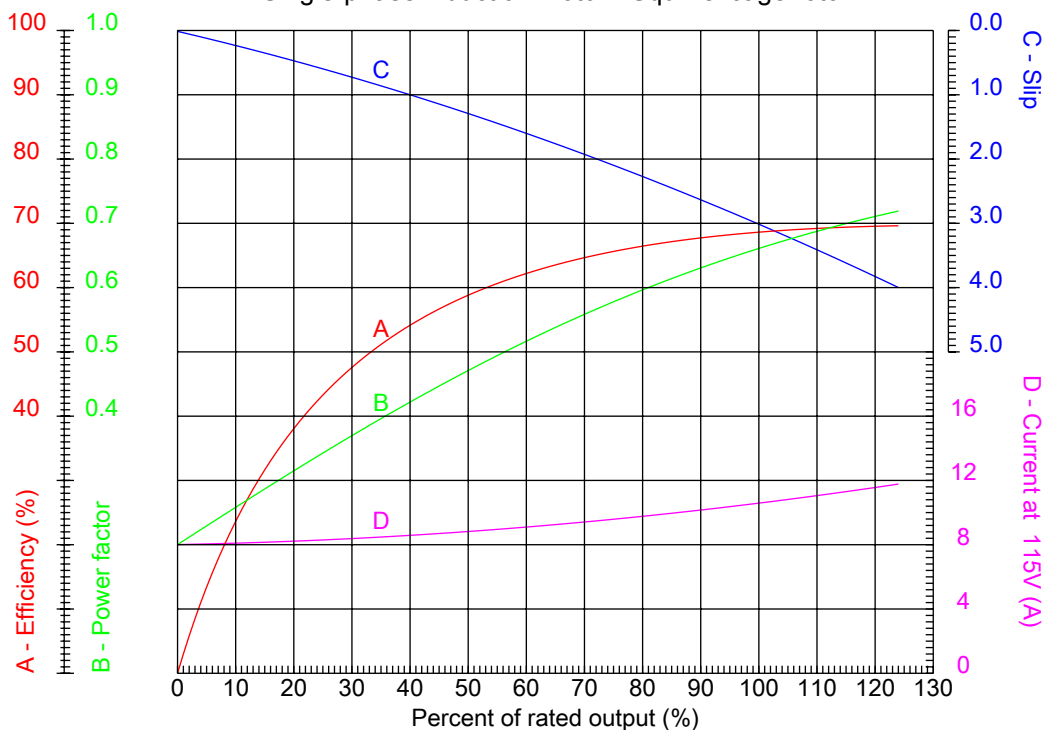
Dealers Industrial Equipment

No.:

Date: 12-SEP-2016

PERFORMANCE CURVES RELATED TO RATED OUTPUT

Single-phase induction motor - Squirrel cage rotor



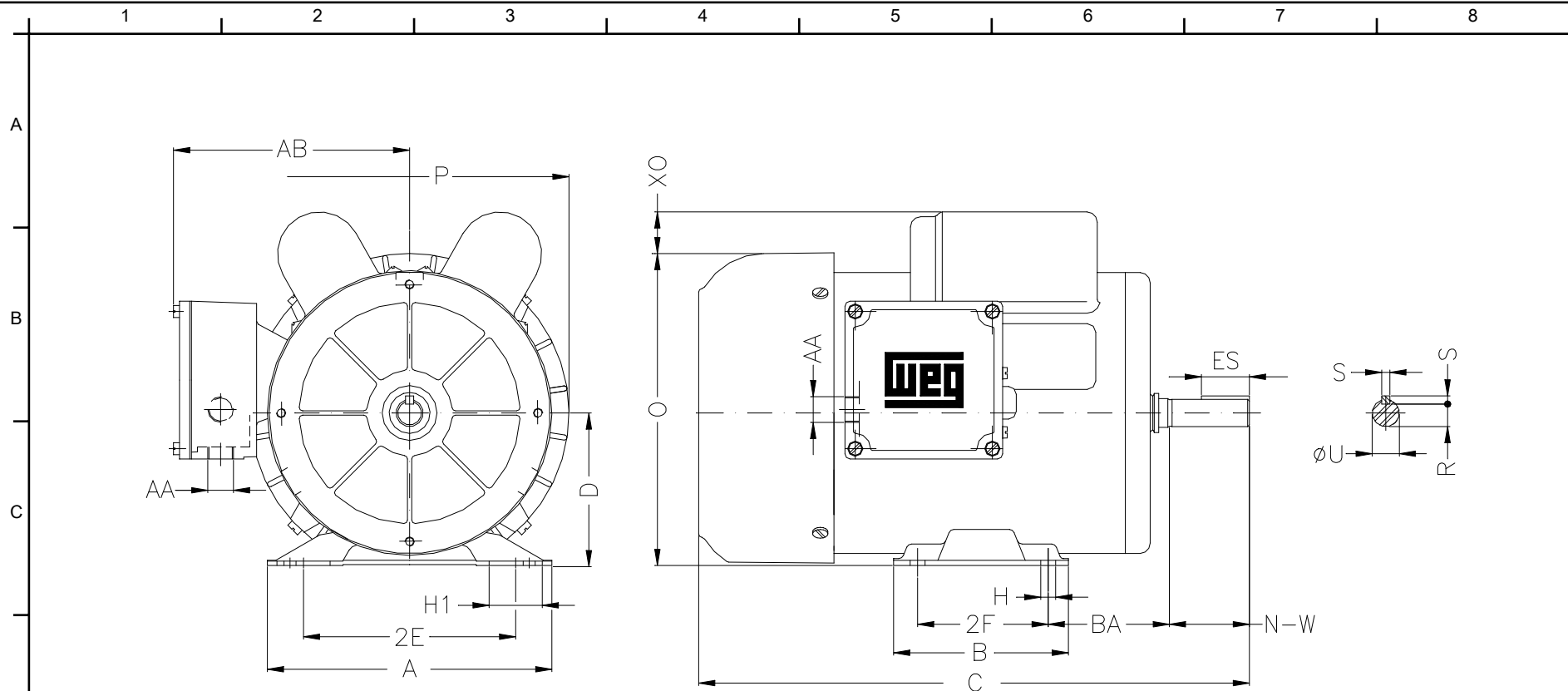
Customer :
Product line : Farm Duty Motors : TEFC (IP55) - Single-Phase

Frame	: B56	Locked rotor current (I _l /I _n)	: 6.2
Output	: 0.75 HP	Duty cycle	: S1
Frequency	: 60 Hz	Service factor	: 1.15
Full load speed	: 1745 rpm	Design	: ---
Voltage	: 115/230 V	Locked rotor torque	: 300 %
Rated current	: 10.6/5.30 A	Breakdown torque	: 250 %
Insulation class	: B		

Notes:
Downloaded from <http://dealerselectric.com>
Generated for Model #.7518ES1RFDB56

Performed by

Checked



Notes: Downloaded from <http://dealerselectric.com>
 Generated for Model #.7518ES1RFDB56

Performed by:

Checked:

Customer:

Farm Duty Motors : TEFC (IP55) - Single-Phase

2E 4.874	2F 3.000	H 0.342	BA 2.750	A 6.535
B 4.016	C 11.102	D 3.500	J 1.220	O 7.165
P 7.323	ES 1.102	S 0.187	N-W 1.874	U 0.6250
R 0.517	AB 5.433	AA 2xNPT 1/2"	d1 A 3.15	

Single-phase induction motor
 Frame B56 - IP55

12-SEP-2016

