



Dealers Industrial Equipment

No.:

Date: 12-SEP-2016

Customer :

TECHNICAL PROPOSAL

Three-phase induction motor - Squirrel cage rotor

Product line : Three-Phase : NEMA 56 Frames - TEFC

Catalog Number : .7512ES3ED56

List Price : \$427

Notes:

Downloaded from <http://dealerselectric.com>

Generated for Model #.7512ES3ED56

Performed by:

Checked:



Dealers Industrial Equipment

No.:

Date: 12-SEP-2016

DATA SHEET Three-phase induction motor - Squirrel cage rotor

Customer :
Product line : Three-Phase : NEMA 56 Frames - TEFC

Frame : D56
Output : 0.75 HP
Frequency : 60 Hz
Poles : 6
Full load speed : 1160 rpm
Slip : 3.33 %
Voltage : 208-230/460 V
Rated current : 2.88-2.95/1.48 A
Locked rotor current : 17.4/8.70 A
Locked rotor current (I_L/I_n) : 5.9
No-load current : 2.25/1.13 A
Full load torque : 3.35 lb.ft
Locked rotor torque : 300 %
Breakdown torque : 350 %
Design : A
Insulation class : F
Temperature rise : 80 K
Locked rotor time : 15 s (hot)
Service factor : 1.15 (1.00 at 208V)
Duty cycle : S1
Ambient temperature : -20°C - +40°C
Altitude : 1000 m
Degree of Protection : IP55
Approximate weight : 35 lb
Moment of inertia : 0.14214 sq.ft.lb
Noise level : ---

	D.E.	N.D.E.
Bearings	6204 ZZ	6202 ZZ
Regreasing interval	---	---
Grease amount	---	---

Load	Power factor	Efficiency (%)
100%	0.58	81.5
75%	0.49	80.0
50%	0.38	75.5

Notes:
Downloaded from <http://dealerselectric.com>
Generated for Model #.7512ES3ED56

Performed by

Checked



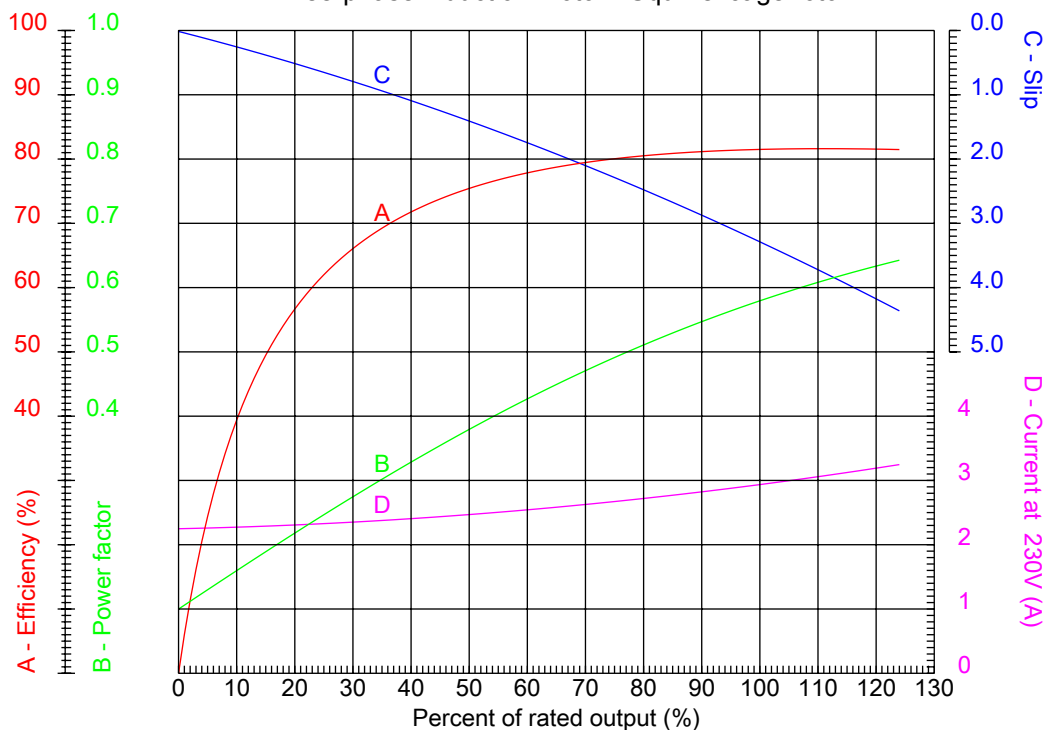
Dealers Industrial Equipment

No.:

Date: 12-SEP-2016

PERFORMANCE CURVES RELATED TO RATED OUTPUT

Three-phase induction motor - Squirrel cage rotor



Customer :
Product line : Three-Phase : NEMA 56 Frames - TEFC

Frame	: D56	Locked rotor current (I _L /I _n)	: 5.9
Output	: 0.75 HP	Duty cycle	: S1
Frequency	: 60 Hz	Service factor	: 1.15 (1.00 at 208V)
Full load speed	: 1160 rpm	Design	: A
Voltage	: 208-230/460 V	Locked rotor torque	: 300 %
Rated current	: 2.88-2.95/1.48 A	Breakdown torque	: 350 %
Insulation class	: F		

Notes:
Downloaded from <http://dealerselectric.com>
Generated for Model #.7512ES3ED56

Performed by

Checked



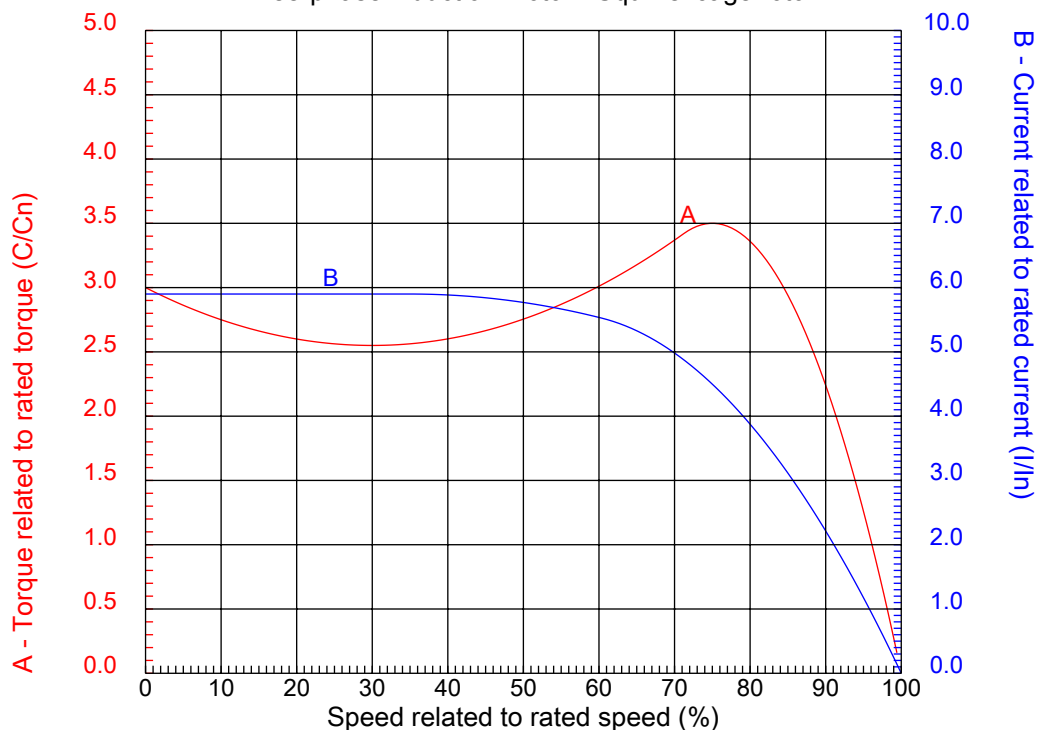
Dealers Industrial Equipment

No.:

Date: 12-SEP-2016

CHARACTERISTIC CURVES RELATED TO SPEED

Three-phase induction motor - Squirrel cage rotor



Customer :
Product line : Three-Phase : NEMA 56 Frames - TEFC

Frame	: D56	Locked rotor current (I _l /I _n)	: 5.9
Output	: 0.75 HP	Duty cycle	: S1
Frequency	: 60 Hz	Service factor	: 1.15 (1.00 at 208V)
Full load speed	: 1160 rpm	Design	: A
Voltage	: 208-230/460 V	Locked rotor torque	: 300 %
Rated current	: 2.88-2.95/1.48 A	Breakdown torque	: 350 %
Insulation class	: F		

Notes:
Downloaded from <http://dealerselectric.com>
Generated for Model #.7512ES3ED56

Performed by

Checked

1 2 3 4 5 6 7 8

A

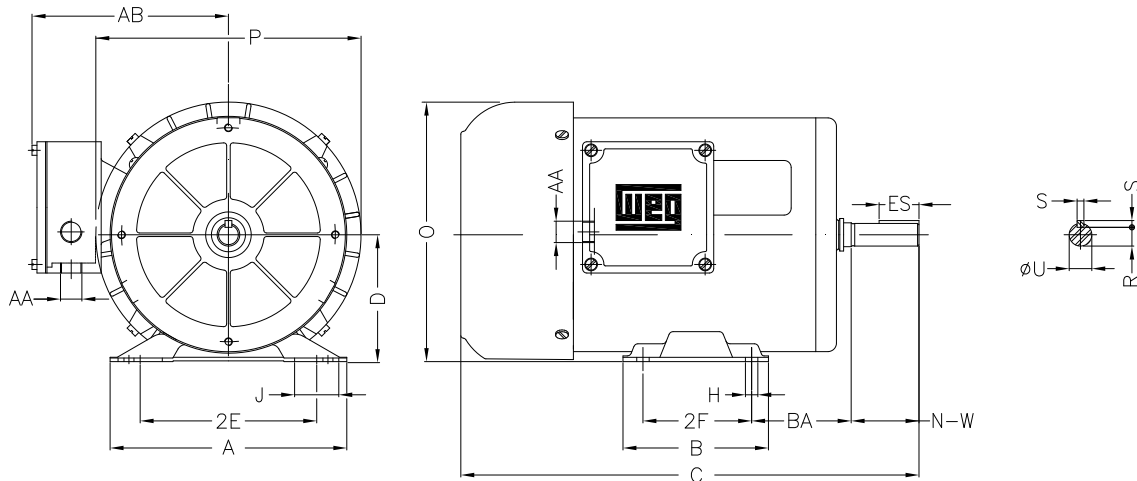
B

C

D

E

F



Notes: Downloaded from <http://dealerselectric.com>
Generated for Model #.7512ES3ED56

Performed by:

Checked:

Customer:

Three-Phase : NEMA 56 Frames - TEFC

Three-phase induction motor
Frame D56 - IP55

12-SEP-2016



2E 4.874	2F 3.000	H 0.343	BA 2.748	A 6.535
B 4.016	C 12.283	D 3.500	J 1.220	O 7.165
P 7.323	S 0.187	ES 1.102	R 0.517	N-W 1.874
U 0.6250	AB 5.433	AA 2XNPT 1/2"		

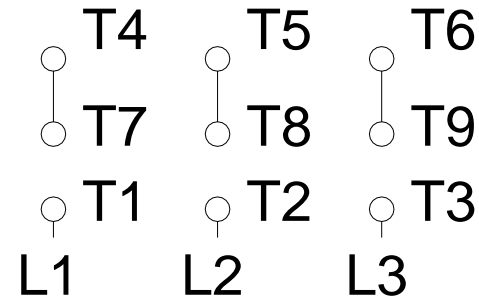
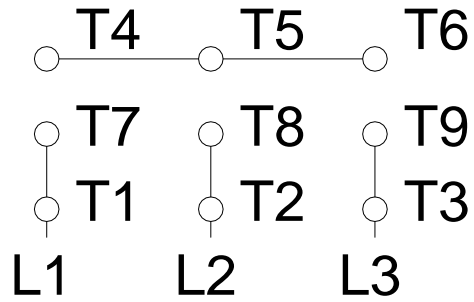
1 2 3 4 5 6 7 8

A

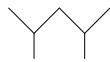
LOW VOLTAGE

HIGH VOLTAGE

B



C



D

E

F

Notes: Downloaded from <http://dealerselectric.com>
 Generated for Model #.7512ES3ED56

Performed by:

Checked:

Customer:

Three-Phase : NEMA 56 Frames - TEFC

Three-phase induction motor
 Frame D56 - IP55

12-SEP-2016

