



Dealers Industrial Equipment

No.:

Date: 12-SEP-2016

Customer :

TECHNICAL PROPOSAL

Single-phase induction motor - Squirrel cage rotor

Product line : Single-Phase : NEMA 56 TEFC

Catalog Number : .7512ES1BF56CFL

List Price : \$669

Notes:

Downloaded from <http://dealerselectric.com>

Generated for Model #.7512ES1BF56CFL

Performed by:

Checked:



Dealers Industrial Equipment

No.:

Date: 12-SEP-2016

DATA SHEET

Single-phase induction motor - Squirrel cage rotor

Customer :
Product line : Single-Phase : NEMA 56 TEFC

Frame : F56H
Output : 0.75 HP
Frequency : 60 Hz
Poles : 6
Full load speed : 1170 rpm
Slip : 2.50 %
Voltage : 115/208-230 V
Rated current : 10.0/4.80-5.00 A
Locked rotor current : 54.0/27.0 A
Locked rotor current (I_L/I_n) : 5.4
No-load current : 7.40/3.70 A
Full load torque : 3.32 lb.ft
Locked rotor torque : 230 %
Breakdown torque : 260 %
Design : ---
Insulation class : B
Temperature rise : 80 K
Locked rotor time : 6 s (hot)
Service factor : 1.15 (1.00 at 208V)
Duty cycle : S1
Ambient temperature : -20°C - +40°C
Altitude : 1000 m
Degree of Protection : IP55
Approximate weight : 42 lb
Moment of inertia : 0.17774 sq.ft.lb
Noise level : ---

	D.E.	N.D.E.	Load	Power factor	Efficiency (%)
Bearings	6204 ZZ	6203 ZZ	100%	0.68	71.0
Regreasing interval	---	---	75%	0.59	67.0
Grease amount	---	---	50%	0.49	59.0

Notes:
Downloaded from <http://dealerselectric.com>
Generated for Model #.7512ES1BF56CFL

Performed by

Checked



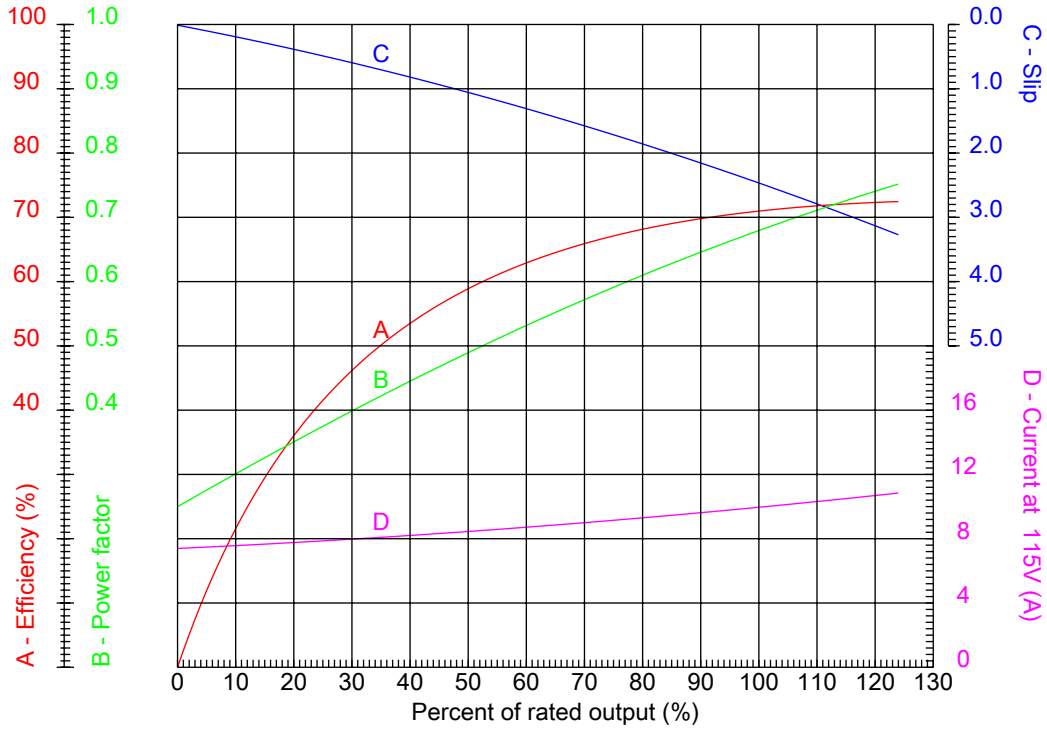
Dealers Industrial Equipment

No.:

Date: 12-SEP-2016

PERFORMANCE CURVES RELATED TO RATED OUTPUT

Single-phase induction motor - Squirrel cage rotor



Customer :
 Product line : Single-Phase : NEMA 56 TEFC

Frame	: F56H	Locked rotor current (I _l /I _n)	: 5.4
Output	: 0.75 HP	Duty cycle	: S1
Frequency	: 60 Hz	Service factor	: 1.15 (1.00 at 208V)
Full load speed	: 1170 rpm	Design	: ---
Voltage	: 115/208-230 V	Locked rotor torque	: 230 %
Rated current	: 10.0/4.80-5.00 A	Breakdown torque	: 260 %
Insulation class	: B		

Notes:
 Downloaded from <http://dealerselectric.com>
 Generated for Model #.7512ES1BF56CFL

Performed by

Checked

1 2 3 4 5 6 7 8

A

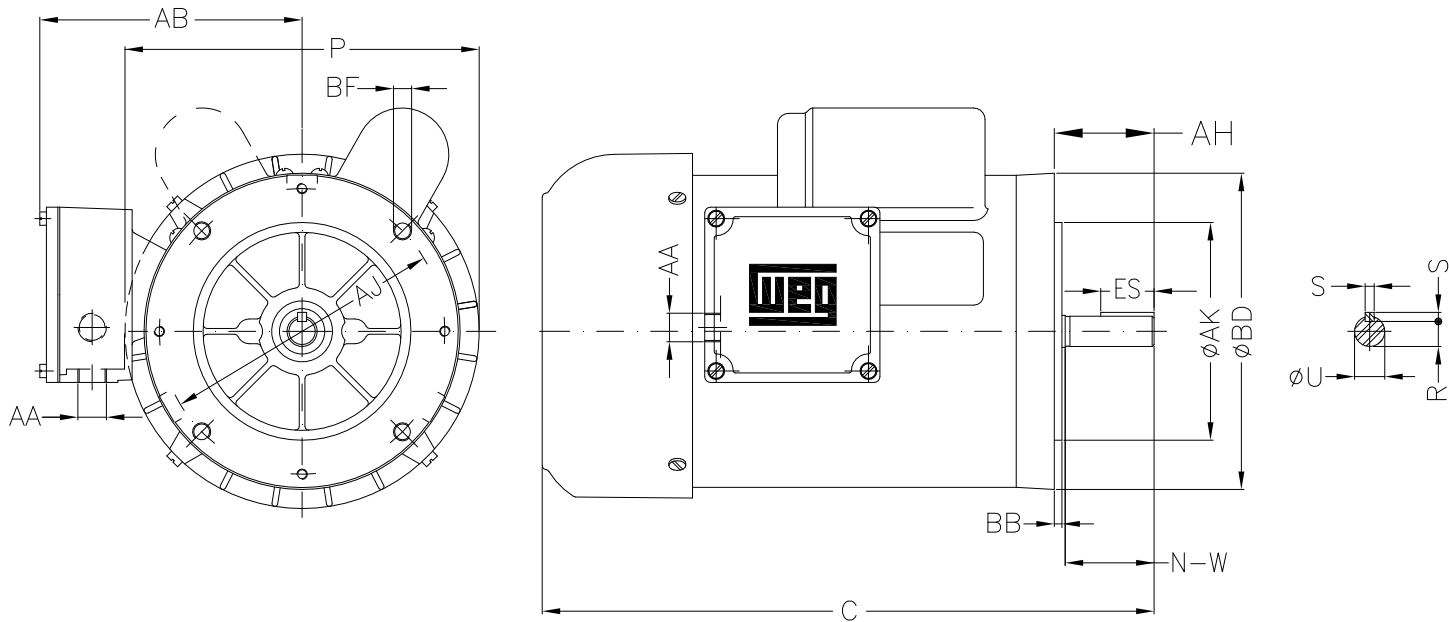
B

C

D

E

F



Notes: Downloaded from <http://dealerselectric.com>
Generated for Model #.7512ES1BF56CFL

Performed by:

Checked:

Customer:

Single-Phase : NEMA 56 TEFC

P	ES	S	depth	N-W
7.323	1.102	0.187	0.187	1.874
U	R	d1	C	AA
0.6250	0.517	A 3.15	13.464	2xNPT 1/2"
Flange	AJ	AK	BD	BF
FC-149	5.874	4.500	6.535	UNC 3/8"x16-2B
BB	AH			
0.157	2.063			

Single-phase induction motor
Frame F56H - IP55

12-SEP-2016

