



Dealers Industrial Equipment

No.:

Date: 12-SEP-2016

Customer :

TECHNICAL PROPOSAL

## Single-phase induction motor - Squirrel cage rotor

Product line : Single-Phase : NEMA 56 TEFC

Catalog Number : .7512ES1BF56C

List Price : \$669

Notes:

Downloaded from <http://dealerselectric.com>

Generated for Model #.7512ES1BF56C

Performed by:

Checked:



# Dealers Industrial Equipment

No.:

Date: 12-SEP-2016

## DATA SHEET Single-phase induction motor - Squirrel cage rotor

Customer :  
Product line : Single-Phase : NEMA 56 TEFC

Frame : F56H  
Output : 0.75 HP  
Frequency : 60 Hz  
Poles : 6  
Full load speed : 1170 rpm  
Slip : 2.50 %  
Voltage : 115/208-230 V  
Rated current : 10.0/4.80-5.00 A  
Locked rotor current : 54.0/27.0 A  
Locked rotor current (I<sub>L</sub>/I<sub>n</sub>) : 5.4  
No-load current : 7.40/3.70 A  
Full load torque : 3.32 lb.ft  
Locked rotor torque : 230 %  
Breakdown torque : 260 %  
Design : ---  
Insulation class : B  
Temperature rise : 80 K  
Locked rotor time : 6 s (hot)  
Service factor : 1.15 (1.00 at 208V)  
Duty cycle : S1  
Ambient temperature : -20°C - +40°C  
Altitude : 1000 m  
Degree of Protection : IP55  
Approximate weight : 42 lb  
Moment of inertia : 0.17774 sq.ft.lb  
Noise level : ---

	D.E.	N.D.E.
Bearings	6204 ZZ	6203 ZZ
Regreasing interval	---	---
Grease amount	---	---

Load	Power factor	Efficiency (%)
100%	0.68	71.0
75%	0.59	67.0
50%	0.49	59.0

Notes:  
Downloaded from <http://dealerselectric.com>  
Generated for Model #.7512ES1BF56C

Performed by

Checked



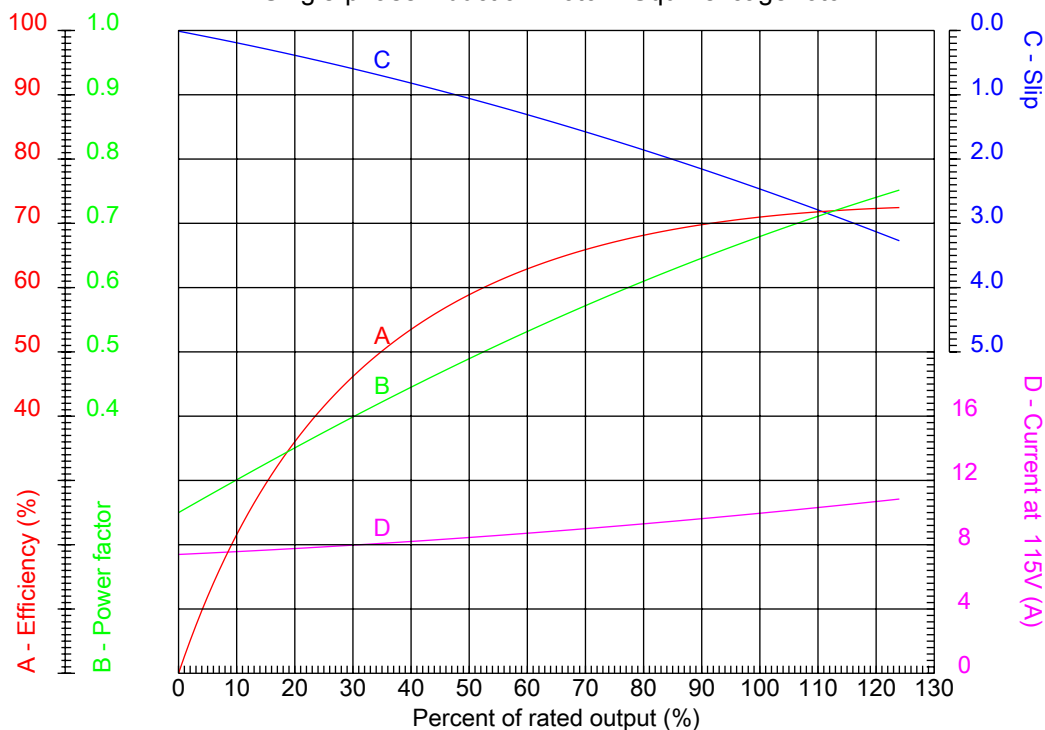
# Dealers Industrial Equipment

No.:

Date: 12-SEP-2016

## PERFORMANCE CURVES RELATED TO RATED OUTPUT

Single-phase induction motor - Squirrel cage rotor



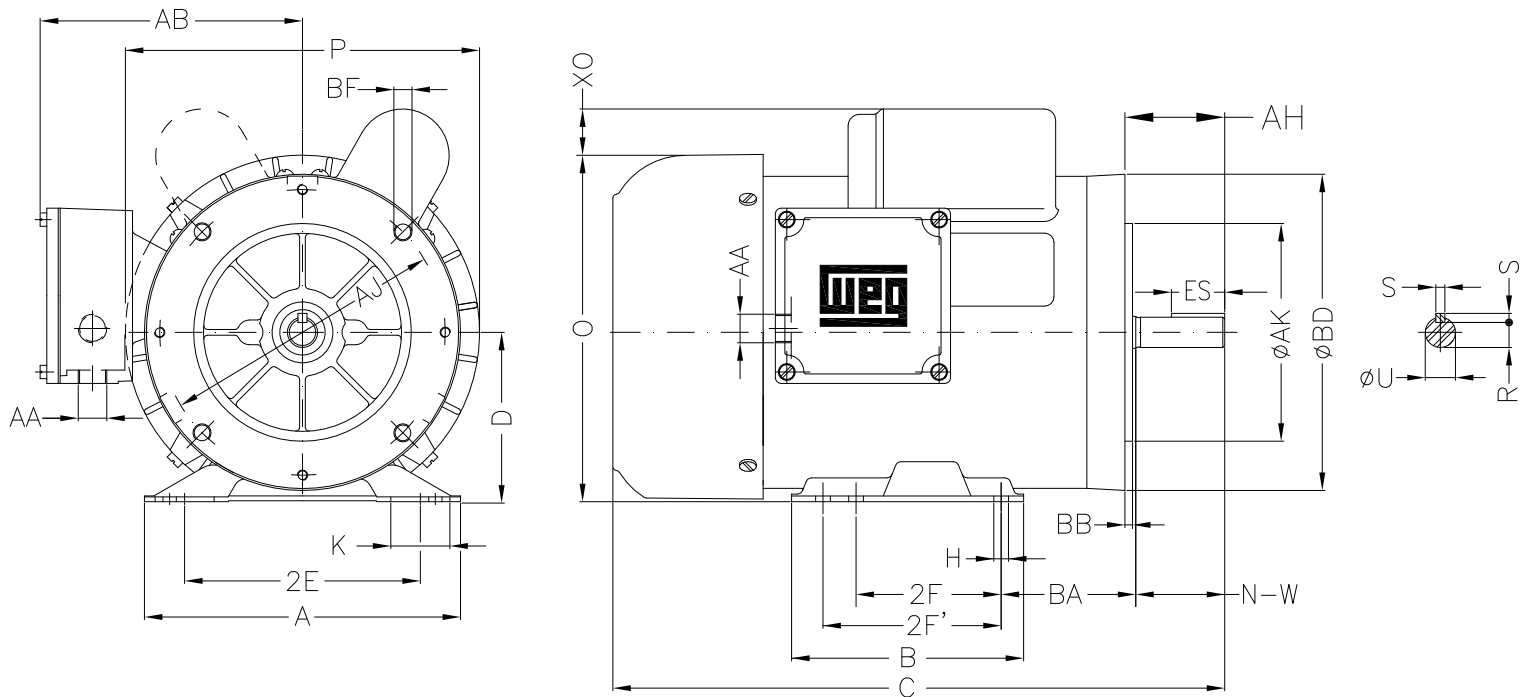
Customer :  
Product line : Single-Phase : NEMA 56 TEFC

Frame	: F56H	Locked rotor current (I <sub>L</sub> /I <sub>n</sub> )	: 5.4
Output	: 0.75 HP	Duty cycle	: S1
Frequency	: 60 Hz	Service factor	: 1.15 (1.00 at 208V)
Full load speed	: 1170 rpm	Design	: ---
Voltage	: 115/208-230 V	Locked rotor torque	: 230 %
Rated current	: 10.0/4.80-5.00 A	Breakdown torque	: 260 %
Insulation class	: B		

Notes:  
Downloaded from <http://dealerselectric.com>  
Generated for Model #.7512ES1BF56C

Performed by

Checked



Notes: Downloaded from <http://dealerselectric.com>  
Generated for Model #.7512ES1BF56C

Performed by:

Checked:

Customer:

Single-Phase : NEMA 56 TEFC

Single-phase induction motor  
Frame F56H - IP55

12-SEP-2016



2E 4.874	H 0.342	A 6.535	2F 3.000	B 6.496
G 3.04	BA 2.750	J 1.220	K 5.000	P 7.323
ES 1.102	S 0.187	depth 0.187	N-W 1.874	U 0.6250
R 0.517	d1 A 3.15	D 3.500	O 7.165	XO 1.063
C 13.464	AA 2xNPT 1/2"	Flange FC-149	AJ 5.874	AK 4.500
BD 6.535	BF UNC 3/8"x16-2B	BB 0.157	AH 2.063	