



Dealers Industrial Equipment

No.:

Date: 12-SEP-2016

Customer :

TECHNICAL PROPOSAL

Three-phase induction motor - Squirrel cage rotor

Product line : Three-Phase : IEC Tru-Metric - TEFC (IP55) - Aluminum Frame

Catalog Number : .5509EP3EAL90L

List Price : \$696

Notes:

Downloaded from <http://dealerselectric.com>

Generated for Model #.5509EP3EAL90L

Performed by:

Checked:



Dealers Industrial Equipment

No.:

Date: 12-SEP-2016

DATA SHEET Three-phase induction motor - Squirrel cage rotor

Customer :
Product line : Three-Phase : IEC Tru-Metric - TEFC (IP55) - Aluminum Frame

Frame : 90L
Output : 0.75 HP
Frequency : 60 Hz
Poles : 8
Full load speed : 845 rpm
Slip : 6.11 %
Voltage : 230/460 V
Rated current : 4.24/2.12 A
Locked rotor current : 17.0/8.48 A
Locked rotor current (I_L/I_n) : 4.0
No-load current : 3.50/1.75 A
Full load torque : 4.60 lb.ft
Locked rotor torque : 270 %
Breakdown torque : 290 %
Design : N
Insulation class : F
Temperature rise : 80 K
Locked rotor time : 11 s (hot)
Service factor : 1.15
Duty cycle : S1
Ambient temperature : -20°C - +40°C
Altitude : 1000 m
Degree of Protection : IP55
Approximate weight : 42 lb
Moment of inertia : 0.14618 sq.ft.lb
Noise level : 47 dB(A)

	D.E.	N.D.E.
Bearings	6205 ZZ	6204 ZZ
Regreasing interval	---	---
Grease amount	---	---

Load	Power factor	Efficiency (%)
100%	0.52	62.5
75%	0.43	62.2
50%	0.33	56.4

Notes:
Downloaded from <http://dealerselectric.com>
Generated for Model #.5509EP3EAL90L

Performed by

Checked



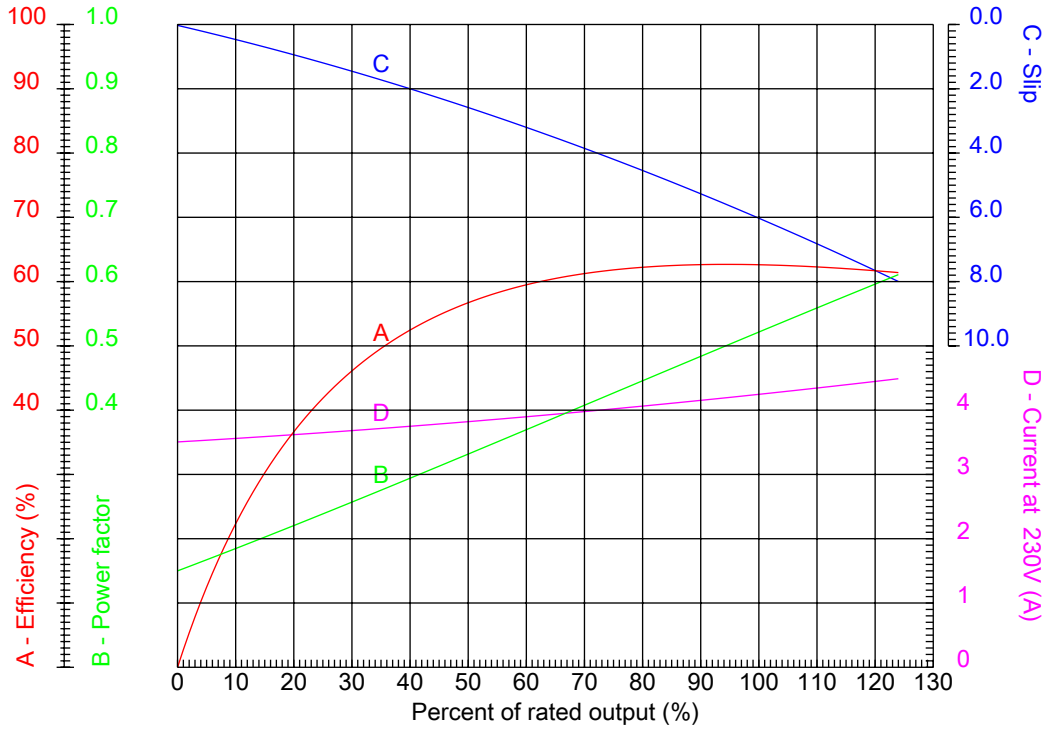
Dealers Industrial Equipment

No.:

Date: 12-SEP-2016

PERFORMANCE CURVES RELATED TO RATED OUTPUT

Three-phase induction motor - Squirrel cage rotor



Customer :
 Product line : Three-Phase : IEC Tru-Metric - TEFC (IP55) - Aluminum Frame

Frame : 90L	Locked rotor current (I _L /I _n) : 4.0
Output : 0.75 HP	Duty cycle : S1
Frequency : 60 Hz	Service factor : 1.15
Full load speed : 845 rpm	Design : N
Voltage : 230/460 V	Locked rotor torque : 270 %
Rated current : 4.24/2.12 A	Breakdown torque : 290 %
Insulation class : F	

Notes:
 Downloaded from <http://dealerselectric.com>
 Generated for Model #.5509EP3EAL90L

Performed by

Checked



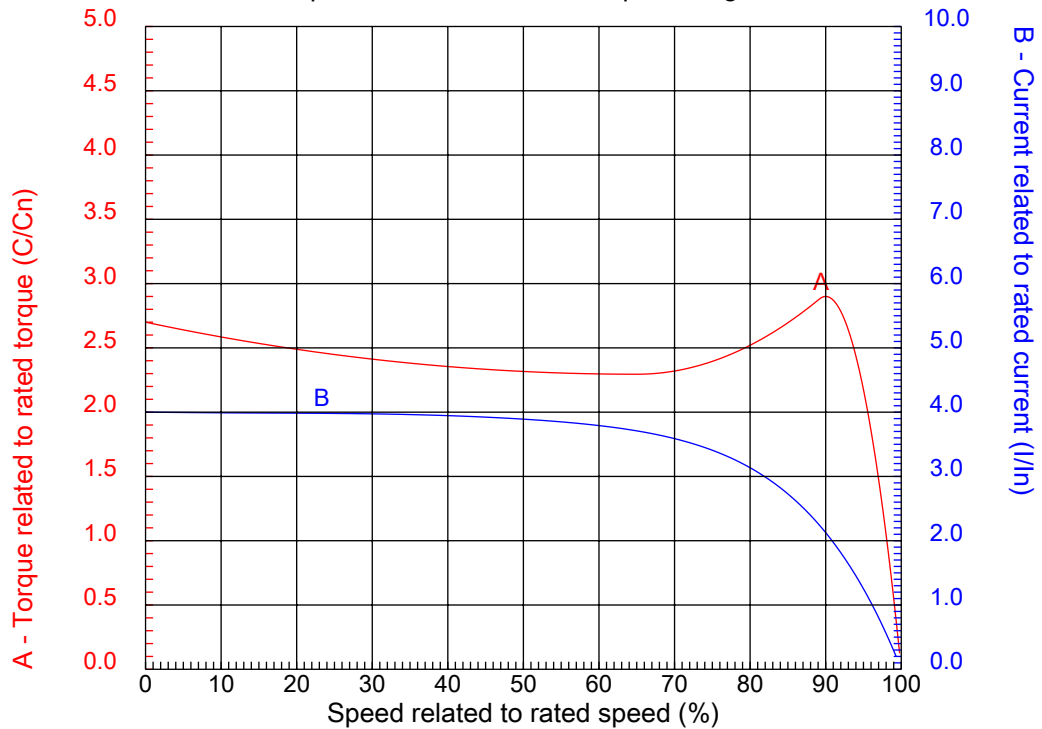
Dealers Industrial Equipment

No.:

Date: 12-SEP-2016

CHARACTERISTIC CURVES RELATED TO SPEED

Three-phase induction motor - Squirrel cage rotor



Customer :
Product line : Three-Phase : IEC Tru-Metric - TEFC (IP55) - Aluminum Frame

Frame	: 90L	Locked rotor current (I _l /I _n)	: 4.0
Output	: 0.75 HP	Duty cycle	: S1
Frequency	: 60 Hz	Service factor	: 1.15
Full load speed	: 845 rpm	Design	: N
Voltage	: 230/460 V	Locked rotor torque	: 270 %
Rated current	: 4.24/2.12 A	Breakdown torque	: 290 %
Insulation class	: F		

Notes:
Downloaded from <http://dealerselectric.com>
Generated for Model #.5509EP3EAL90L

Performed by

Checked

1 2 3 4 5 6 7 8

A

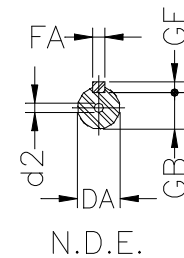
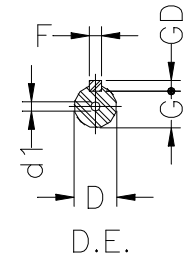
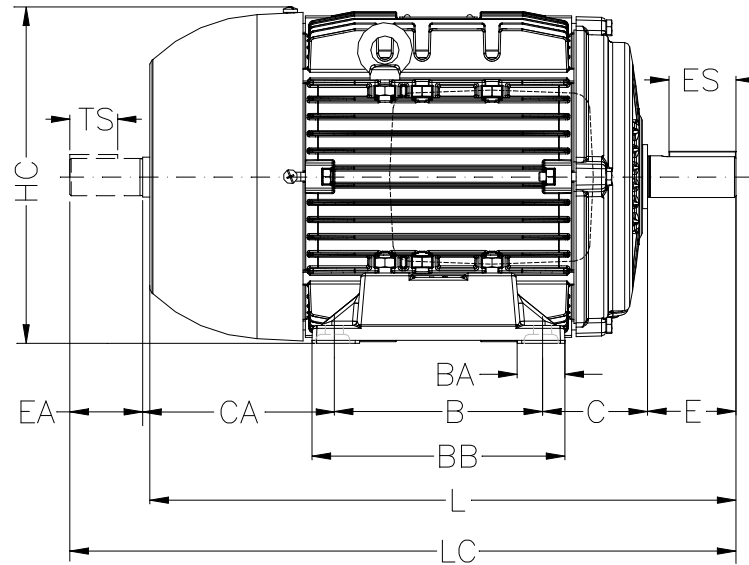
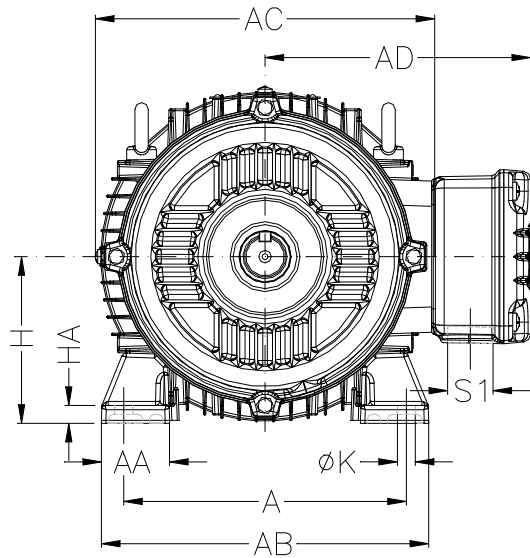
B

C

D

E

F



Notes: Downloaded from <http://dealerselectric.com>
Generated for Model #.5509EP3EAL90L

A	AA	AB	AC	AD
5.512	1.378	6.693	7.047	6.102
B	BA	BB	C	CA
3.937/4.921	0.945	5.748	2.205	5.079/4.094
D	E	ES	F	G
0.945	1.969	1.417	0.315	0.787
GD	DA	EA	TS	FA
0.276	0.630	1.575	1.102	0.197
GB	GF	H	HA	HC
0.512	0.197	3.543	0.354	6.968
HD	K	L	LC	S1
9.449	0.394	12.953	14.764	NPT 3/4"
d1				
DM8	DM6			

Performed by:

Checked:

Customer:

Three-Phase : IEC Tru-Metric - TEFC (IP55) - Aluminum Frame

Three-phase induction motor
Frame 90L - IP55

12-SEP-2016



1 2 3 4 5 6 7 8

A

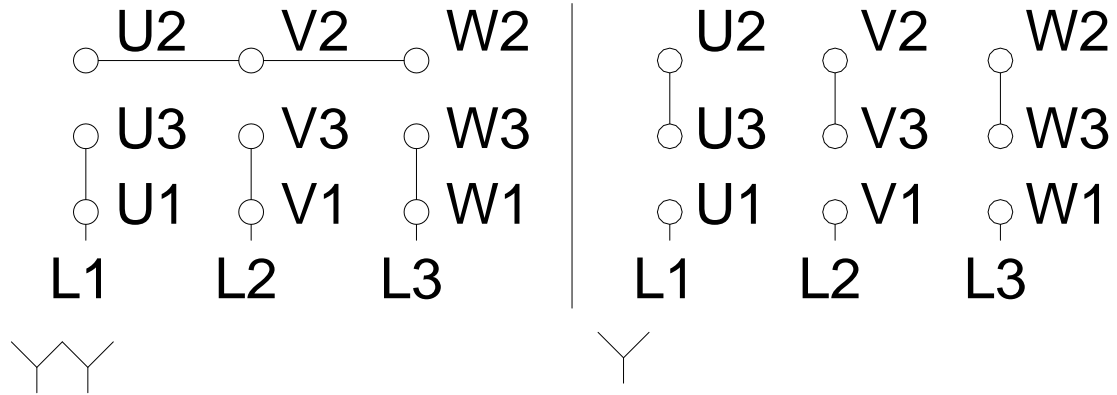
B

C

D

E

F



Notes: Downloaded from <http://dealerselectric.com>
Generated for Model #.5509EP3EAL90L

Performed by:

Checked:

Customer:

Three-Phase : IEC Tru-Metric - TEFC (IP55) - Aluminum Frame

Three-phase induction motor
Frame 90L - IP55

12-SEP-2016

