



# Dealers Industrial Equipment

No.:

Date: 12-SEP-2016

Customer :

## TECHNICAL PROPOSAL

### Three-phase induction motor - Squirrel cage rotor

Product line : Jet Pump - NEMA 56 : Three-Phase - Threaded - ODP (IP21)

Catalog Number : .5036OS3EJPR56J

List Price : \$241

#### Notes:

Downloaded from <http://dealerselectric.com>

Generated for Model #.5036OS3EJPR56J

Performed by:

Checked:



Dealers Industrial Equipment

No.:

Date: 12-SEP-2016

### DATA SHEET

#### Three-phase induction motor - Squirrel cage rotor

Customer :  
 Product line : Jet Pump - NEMA 56 : Three-Phase - Threaded - ODP (IP21)

Frame : A56  
 Output : 0.5 HP  
 Frequency : 60 Hz  
 Poles : 2  
 Full load speed : 3480 rpm  
 Slip : 3.33 %  
 Voltage : 208-230/460 V  
 Rated current : 1.90-1.91/0.957 A  
 Locked rotor current : 11.5/5.74 A  
 Locked rotor current (I<sub>L</sub>/I<sub>n</sub>) : 6.0  
 No-load current : 1.39/0.693 A  
 Full load torque : 0.744 lb.ft  
 Locked rotor torque : 250 %  
 Breakdown torque : 300 %  
 Design : A  
 Insulation class : B  
 Temperature rise : 80 K  
 Locked rotor time : 15 s (hot)  
 Service factor : 1.60 (1.00 at 208V)  
 Duty cycle : S1  
 Ambient temperature : -20°C - +40°C  
 Altitude : 1000 m  
 Degree of Protection : IP21  
 Approximate weight : 25 lb  
 Moment of inertia : 0.01946 sq.ft.lb  
 Noise level : ---

	D.E.	N.D.E.
Bearings	6203 2RS	6202 2RS
Regreasing interval	---	---
Grease amount	---	---

Load	Power factor	Efficiency (%)
100%	0.77	66.0
75%	0.68	62.5
50%	0.57	55.0

Notes:  
 Downloaded from <http://dealerselectric.com>  
 Generated for Model #.5036OS3EJPR56J

Performed by

Checked



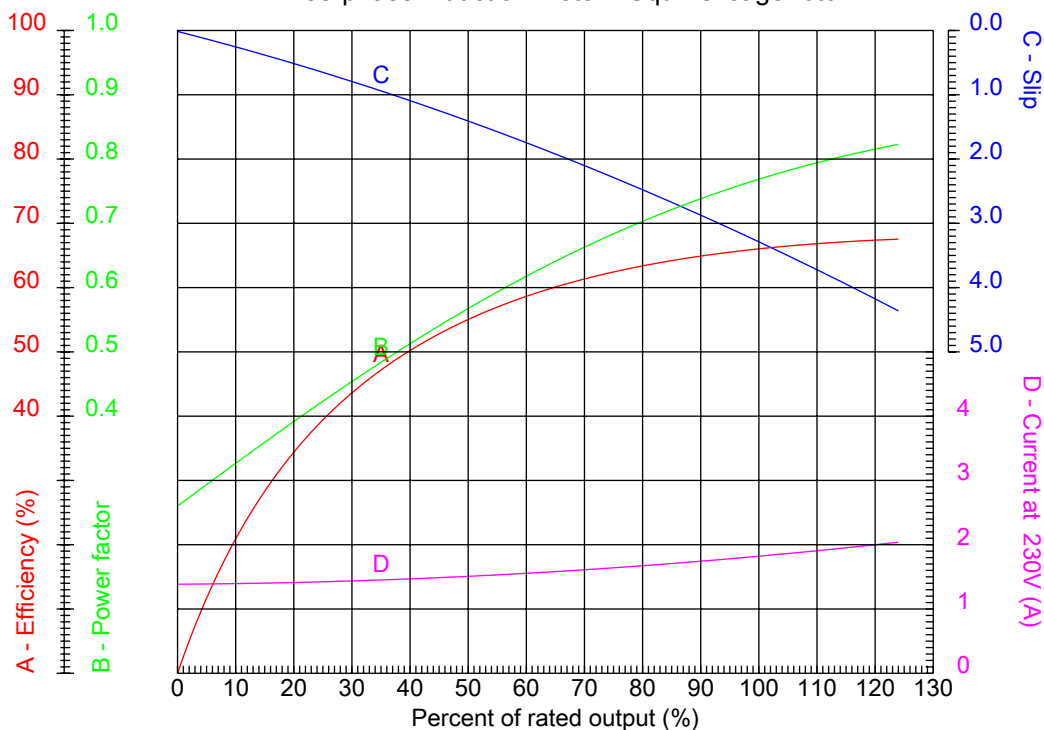
# Dealers Industrial Equipment

No.:

Date: 12-SEP-2016

## PERFORMANCE CURVES RELATED TO RATED OUTPUT

Three-phase induction motor - Squirrel cage rotor



Customer :  
 Product line : Jet Pump - NEMA 56 : Three-Phase - Threaded - ODP (IP21)

Frame : A56	Locked rotor current (I <sub>l</sub> /I <sub>n</sub> ) : 6.0
Output : 0.5 HP	Duty cycle : S1
Frequency : 60 Hz	Service factor : 1.60 (1.00 at 208V)
Full load speed : 3480 rpm	Design : A
Voltage : 208-230/460 V	Locked rotor torque : 250 %
Rated current : 1.90-1.91/0.957 A	Breakdown torque : 300 %
Insulation class : B	

Notes:  
 Downloaded from <http://dealerselectric.com>  
 Generated for Model #.5036OS3EJPR56J

Performed by

Checked



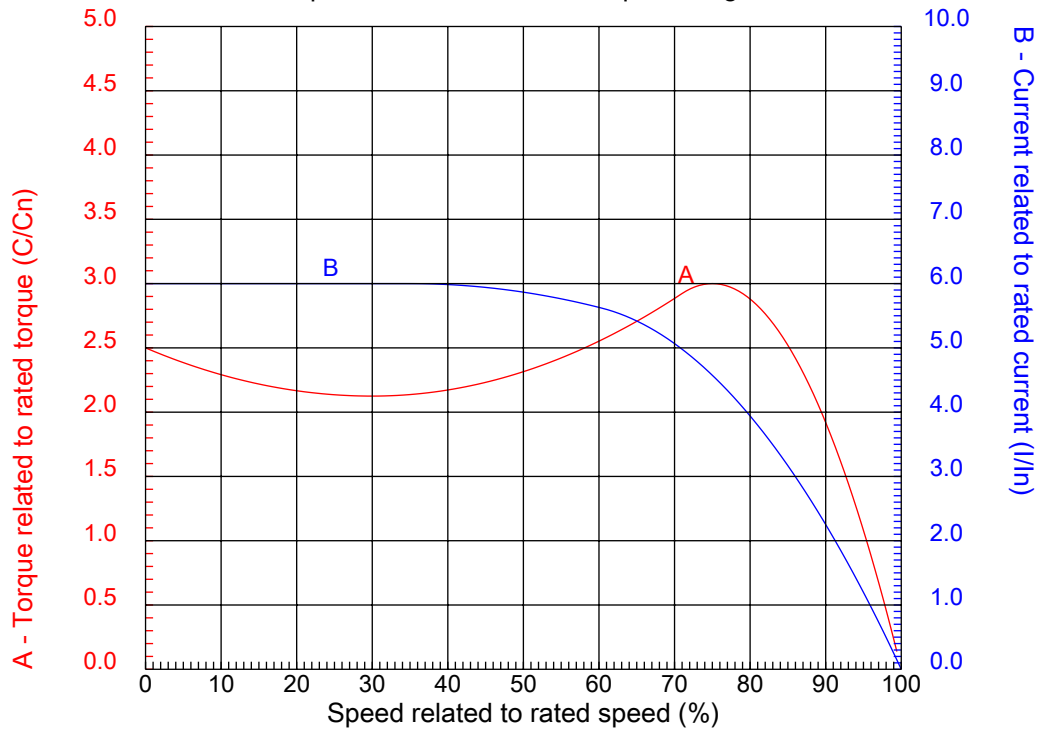
# Dealers Industrial Equipment

No.:

Date: 12-SEP-2016

## CHARACTERISTIC CURVES RELATED TO SPEED

Three-phase induction motor - Squirrel cage rotor



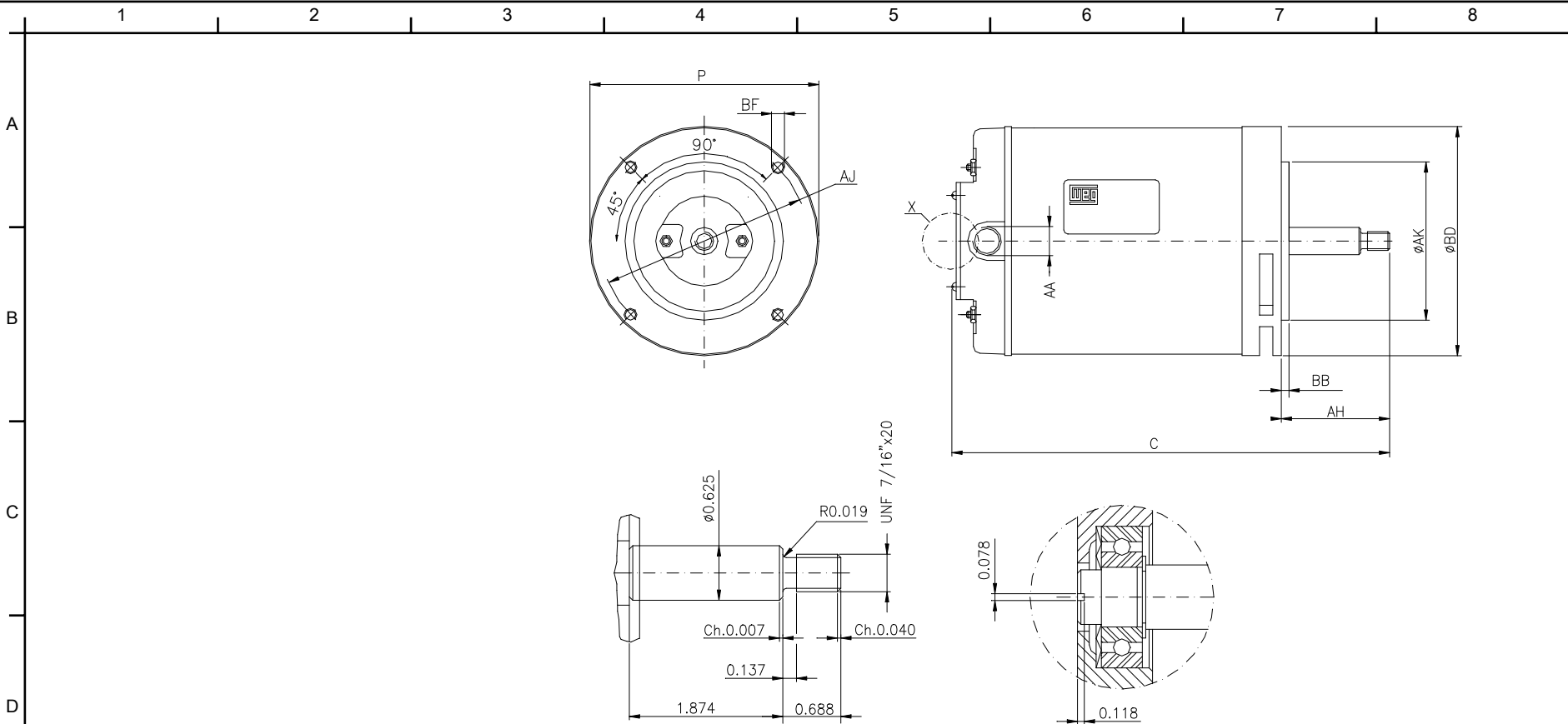
Customer :  
Product line : Jet Pump - NEMA 56 : Three-Phase - Threaded - ODP (IP21)

Frame	: A56	Locked rotor current (I <sub>l</sub> /I <sub>n</sub> )	: 6.0
Output	: 0.5 HP	Duty cycle	: S1
Frequency	: 60 Hz	Service factor	: 1.60 (1.00 at 208V)
Full load speed	: 3480 rpm	Design	: A
Voltage	: 208-230/460 V	Locked rotor torque	: 250 %
Rated current	: 1.90-1.91/0.957 A	Breakdown torque	: 300 %
Insulation class	: B		

Notes:  
Downloaded from <http://dealerselectric.com>  
Generated for Model #.5036OS3EJPR56J

Performed by

Checked



THREE-PHASE, FORM J, WITH INTERNAL  
 THREAD OF 1/4"x28 UNF AT SHAFT-END,  
 FOR CLAMPING THE PUMP ROTOR.

DETAIL X

Notes: Downloaded from <http://dealerselectric.com>  
 Generated for Model #.5036OS3EJPR56J

Performed by:

Checked:

Customer:

Jet Pump - NEMA 56 : Three-Phase - Threaded - ODP (IP21)

C	P	N-W	U	AA
11.004	6.496	1.874	0.625	NPT 1/2"
Flange	AJ	AK	BD	BF
FC-149	5.874	4.500	6.535	UNC 3/8"x16
BB	AH			
0.157	2.563			

Three-phase induction motor  
 Frame A56 - IP21

12-SEP-2016



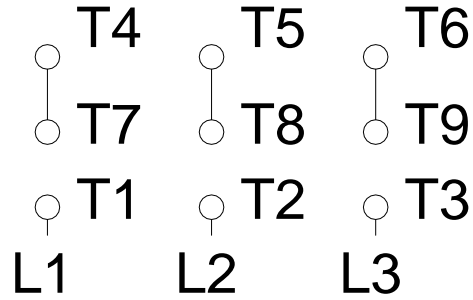
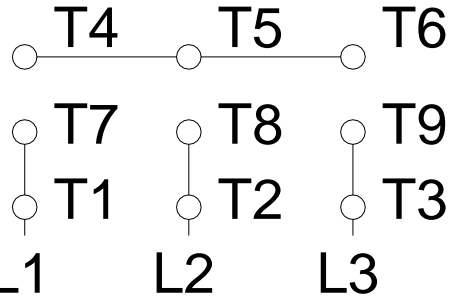
1 2 3 4 5 6 7 8

A

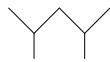
### LOW VOLTAGE

### HIGH VOLTAGE

B



C



D

E

F

Notes: Downloaded from <a href="http://dealerselectric.com">http://dealerselectric.com</a> Generated for Model #.5036OS3EJPR56J		
Performed by:		
Checked:		
Customer:		
Jet Pump - NEMA 56 : Three-Phase - Threaded - ODP (IP21)		
Three-phase induction motor Frame A56 - IP21	12-SEP-2016	