



Dealers Industrial Equipment

No.:

Date: 12-SEP-2016

Customer :

TECHNICAL PROPOSAL

Single-phase induction motor - Squirrel cage rotor

Product line : Single-Phase : NEMA 48 & 56 ODP - Start Capacitor

Catalog Number : .5036OS1BC48

List Price : \$237

Notes:

Downloaded from <http://dealerselectric.com>

Generated for Model #.5036OS1BC48

Performed by:

Checked:



Dealers Industrial Equipment

No.:

Date: 12-SEP-2016

DATA SHEET Single-phase induction motor - Squirrel cage rotor

Customer :
 Product line : Single-Phase : NEMA 48 & 56 ODP - Start Capacitor

Frame : C48
 Output : 0.5 HP
 Frequency : 60 Hz
 Poles : 2
 Full load speed : 3470 rpm
 Slip : 3.61 %
 Voltage : 115/208-230 V
 Rated current : 7.20/3.40-3.60 A
 Locked rotor current : 43.2/21.6 A
 Locked rotor current (I_L/I_n) : 6.0
 No-load current : 5.20/2.60 A
 Full load torque : 0.747 lb.ft
 Locked rotor torque : 380 %
 Breakdown torque : 300 %
 Design : ---
 Insulation class : B
 Temperature rise : 80 K
 Locked rotor time : 6 s (hot)
 Service factor : 1.25 (1.00 at 208V)
 Duty cycle : S1
 Ambient temperature : -20°C - +40°C
 Altitude : 1000 m
 Degree of Protection : IP21
 Approximate weight : 23 lb
 Moment of inertia : 0.02326 sq.ft.lb
 Noise level : ---

	D.E.	N.D.E.
Bearings	6203 ZZ	6202 ZZ
Regreasing interval	---	---
Grease amount	---	---

Load	Power factor	Efficiency (%)
100%	0.69	64.4
75%	0.61	60.7
50%	0.52	53.5

Notes:
 Downloaded from <http://dealerselectric.com>
 Generated for Model #.5036OS1BC48

Performed by

Checked



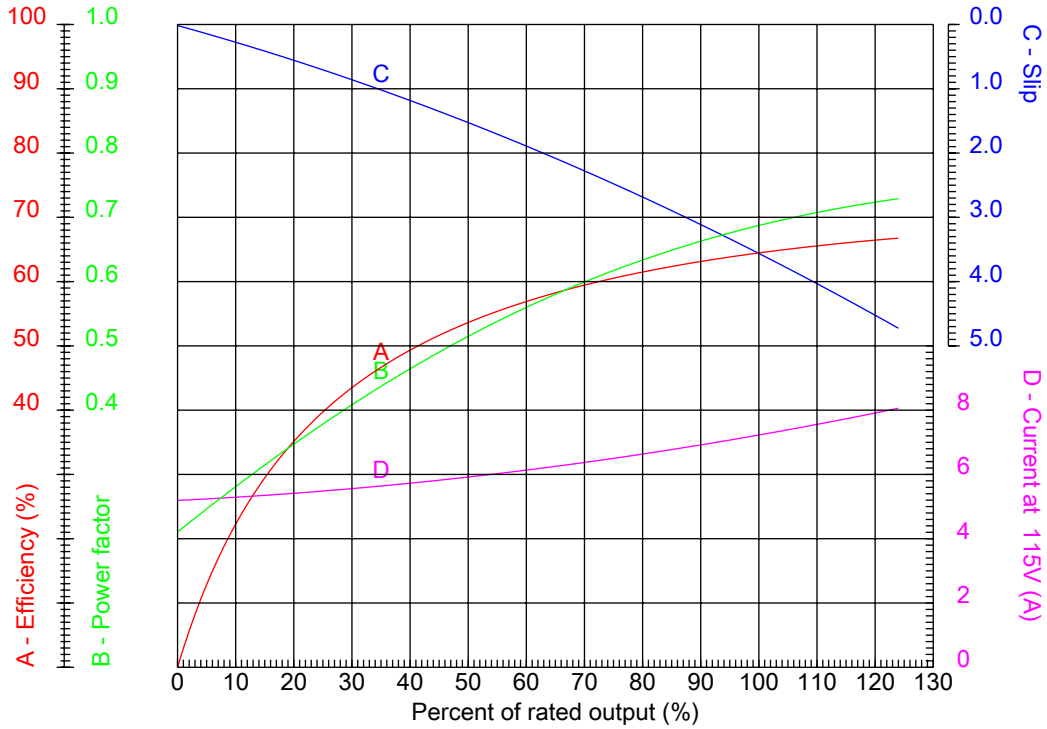
Dealers Industrial Equipment

No.:

Date: 12-SEP-2016

PERFORMANCE CURVES RELATED TO RATED OUTPUT

Single-phase induction motor - Squirrel cage rotor



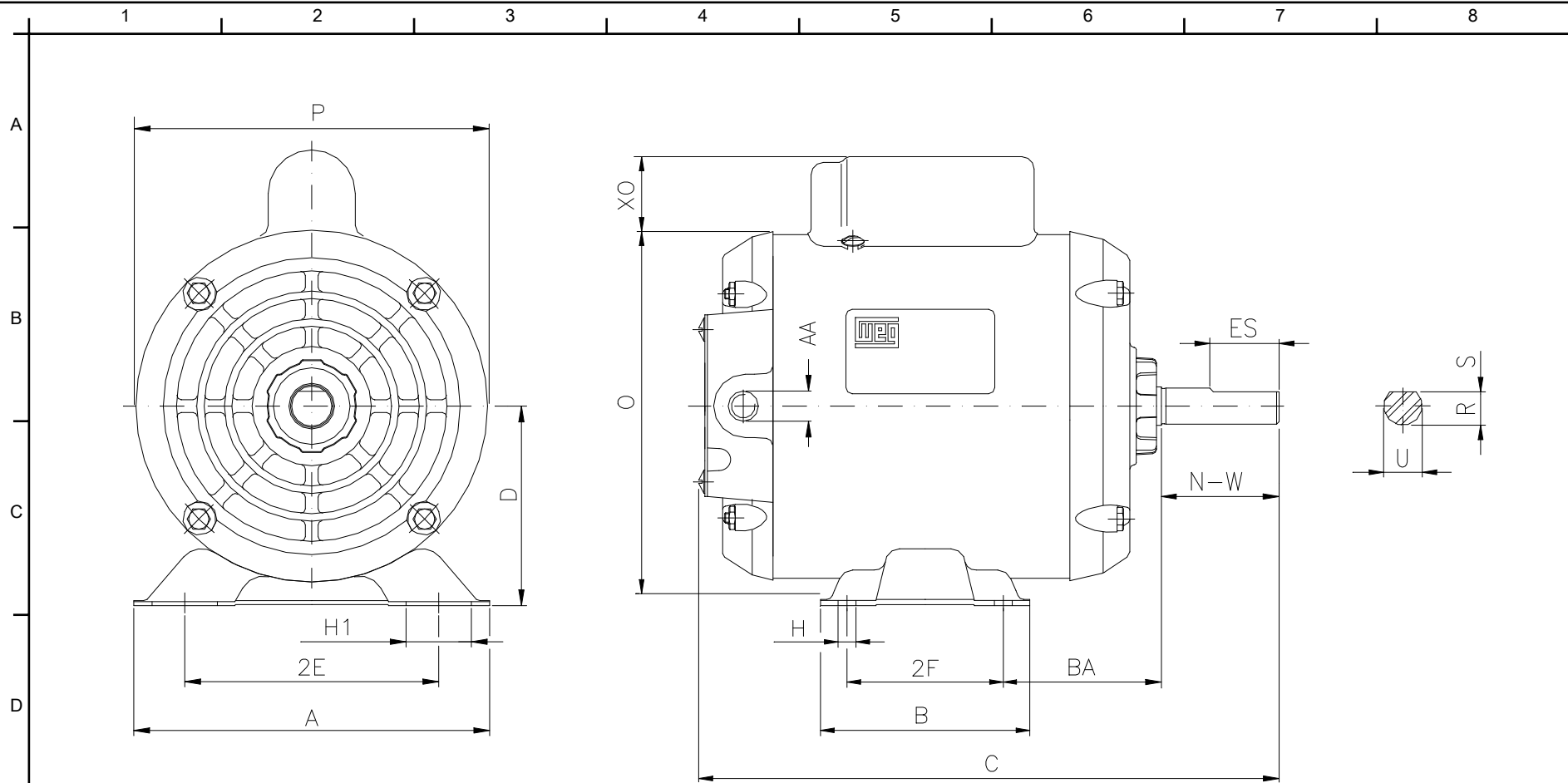
Customer :
 Product line : Single-Phase : NEMA 48 & 56 ODP - Start Capacitor

Frame : C48	Locked rotor current (I _l /I _n) : 6.0
Output : 0.5 HP	Duty cycle : S1
Frequency : 60 Hz	Service factor : 1.25 (1.00 at 208V)
Full load speed : 3470 rpm	Design : ---
Voltage : 115/208-230 V	Locked rotor torque : 380 %
Rated current : 7.20/3.40-3.60 A	Breakdown torque : 300 %
Insulation class : B	

Notes:
 Downloaded from <http://dealerselectric.com>
 Generated for Model #.5036OS1BC48

Performed by

Checked



Notes: Downloaded from <http://dealerselectric.com>
 Generated for Model #.5036OS1BC48

Performed by:

Checked:

Customer:

Single-Phase : NEMA 48 & 56 ODP - Start Capacitor

2E 4.236	2F 2.748	H 0.342	H1 31	BA 2.500
A 6.142	B 3.543	C 10.197	D 3.000	O 5.905
XO 0.000	P 5.708	ES 1.260	N-W 1.500	U 0.5000
R 0.453	AA NPT 1/2"	AH 1.689		

Single-phase induction motor
 Frame C48 - IP21

12-SEP-2016

