



Dealers Industrial Equipment

No.:

Date: 12-SEP-2016

Customer :

TECHNICAL PROPOSAL

Three-phase induction motor - Squirrel cage rotor

Product line : Jet Pump - NEMA 56 : Three-Phase - Threaded - TEFC (IP55)

Catalog Number : .5036ES3EJPR56J

List Price : \$282

Notes:

Downloaded from <http://dealerselectric.com>

Generated for Model #.5036ES3EJPR56J

Performed by:

Checked:



# Dealers Industrial Equipment

No.:

Date: 12-SEP-2016

## DATA SHEET Three-phase induction motor - Squirrel cage rotor

Customer :  
 Product line : Jet Pump - NEMA 56 : Three-Phase - Threaded - TEFC (IP55)

Frame : B56J  
 Output : 0.5 HP  
 Frequency : 60 Hz  
 Poles : 2  
 Full load speed : 3470 rpm  
 Slip : 3.61 %  
 Voltage : 208-230/460 V  
 Rated current : 1.75-1.70/0.850 A  
 Locked rotor current : 13.6/6.80 A  
 Locked rotor current (I<sub>L</sub>/I<sub>n</sub>) : 8.0  
 No-load current : 1.00/0.500 A  
 Full load torque : 0.747 lb.ft  
 Locked rotor torque : 430 %  
 Breakdown torque : 440 %  
 Design : A  
 Insulation class : F  
 Temperature rise : 80 K  
 Locked rotor time : 10 s (hot)  
 Service factor : 1.15 (1.00 at 208V)  
 Duty cycle : S1  
 Ambient temperature : -20°C - +40°C  
 Altitude : 1000 m  
 Degree of Protection : IP55  
 Approximate weight : 23 lb  
 Moment of inertia : 0.03156 sq.ft.lb  
 Noise level : ---

	D.E.	N.D.E.
Bearings	6203 2RS	6202 2RS
Regreasing interval	---	---
Grease amount	---	---

Load	Power factor	Efficiency (%)
100%	0.80	70.0
75%	0.74	66.0
50%	0.64	57.5

Notes:  
 Downloaded from <http://dealerselectric.com>  
 Generated for Model #.5036ES3EJPR56J

Performed by

Checked



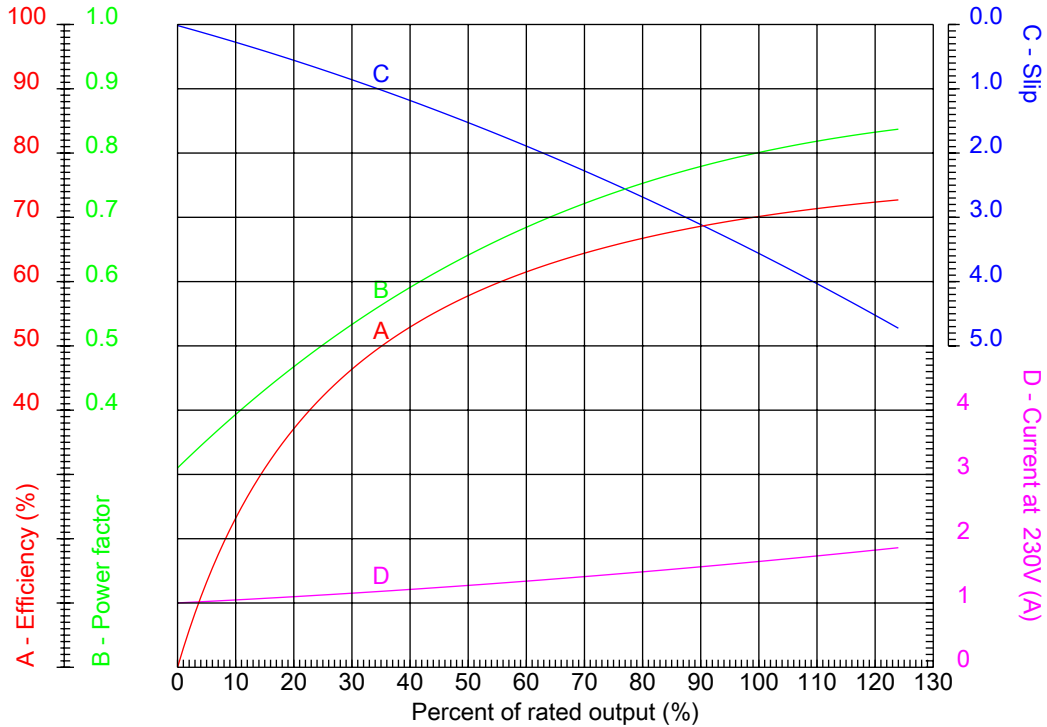
# Dealers Industrial Equipment

No.:

Date: 12-SEP-2016

## PERFORMANCE CURVES RELATED TO RATED OUTPUT

Three-phase induction motor - Squirrel cage rotor



Customer :  
 Product line : Jet Pump - NEMA 56 : Three-Phase - Threaded - TEFC (IP55)

Frame	: B56J	Locked rotor current (I <sub>l</sub> /I <sub>n</sub> )	: 8.0
Output	: 0.5 HP	Duty cycle	: S1
Frequency	: 60 Hz	Service factor	: 1.15 (1.00 at 208V)
Full load speed	: 3470 rpm	Design	: A
Voltage	: 208-230/460 V	Locked rotor torque	: 430 %
Rated current	: 1.75-1.70/0.850 A	Breakdown torque	: 440 %
Insulation class	: F		

Notes:  
 Downloaded from <http://dealerselectric.com>  
 Generated for Model #.5036ES3EJPR56J

Performed by

Checked



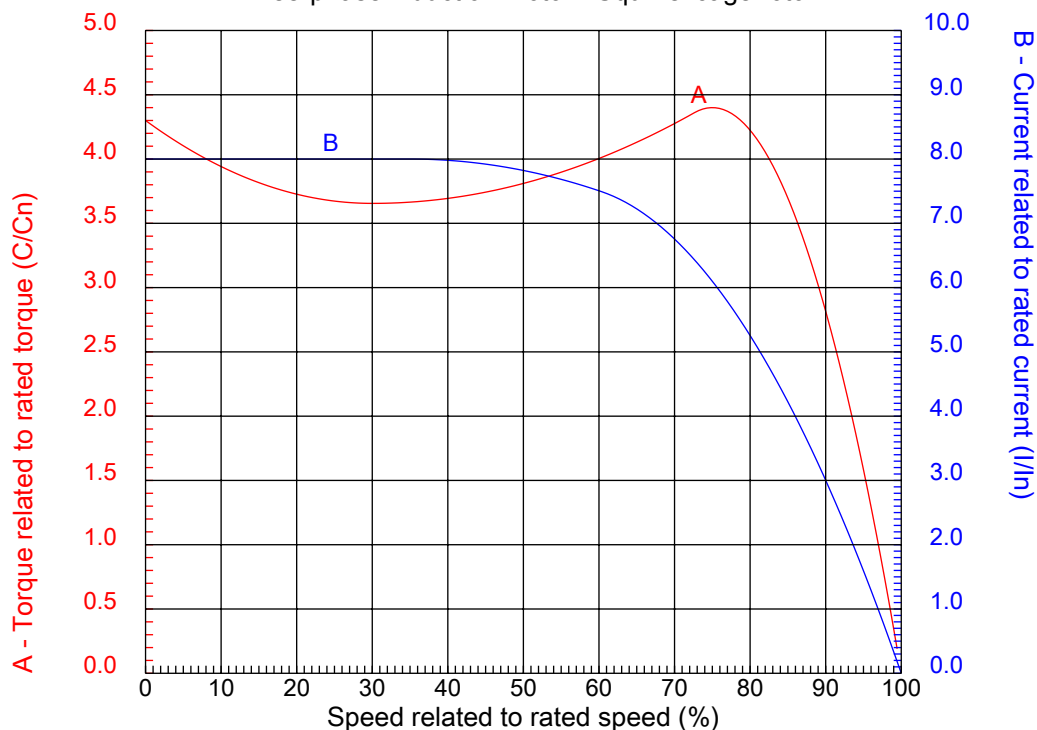
# Dealers Industrial Equipment

No.:

Date: 12-SEP-2016

## CHARACTERISTIC CURVES RELATED TO SPEED

Three-phase induction motor - Squirrel cage rotor



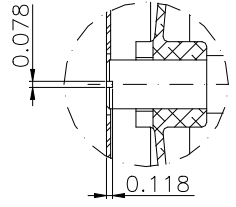
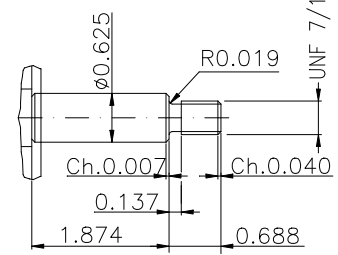
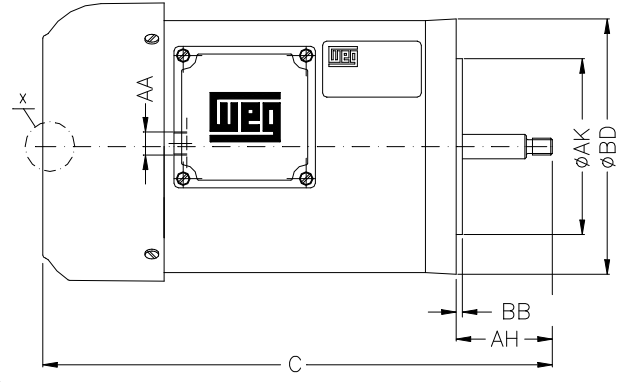
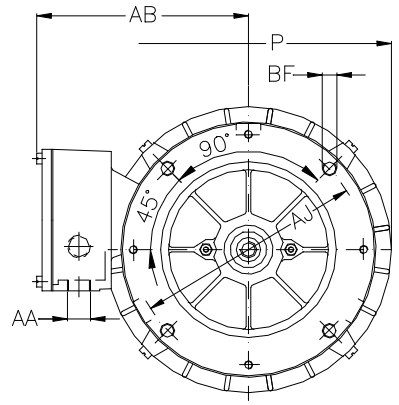
Customer :  
Product line : Jet Pump - NEMA 56 : Three-Phase - Threaded - TEFC (IP55)

Frame	: B56J	Locked rotor current (I <sub>l</sub> /I <sub>n</sub> )	: 8.0
Output	: 0.5 HP	Duty cycle	: S1
Frequency	: 60 Hz	Service factor	: 1.15 (1.00 at 208V)
Full load speed	: 3470 rpm	Design	: A
Voltage	: 208-230/460 V	Locked rotor torque	: 430 %
Rated current	: 1.75-1.70/0.850 A	Breakdown torque	: 440 %
Insulation class	: F		

Notes:  
Downloaded from <http://dealerselectric.com>  
Generated for Model #.5036ES3EJPR56J

Performed by

Checked



THREE-PHASE, FORM J, WITH INTERNAL  
 THREAD OF 1/4"x28 UNF AT SHAFT-END,  
 FOR CLAMPING THE PUMP ROTOR.

DETAIL X

Notes: Downloaded from <http://dealerselectric.com>  
 Generated for Model #.5036ES3EJPR56J

Performed by:

Checked:

Customer:

Jet Pump - NEMA 56 : Three-Phase - Threaded - TEFC (IP55)

C	P	N-W	U	AB
11.614	7.323	1.874	0.6250	5.433
AA	Flange	AJ	AK	BD
NPT 1/2"	FC-149	5.874	4.500	6.535
BF	BB	AH		
UNC 3/8"x16-2B	0.157	2.563		

Three-phase induction motor  
 Frame B56J - IP55

12-SEP-2016



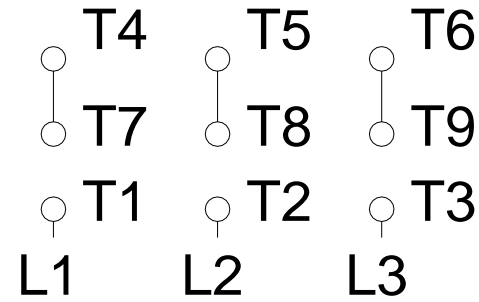
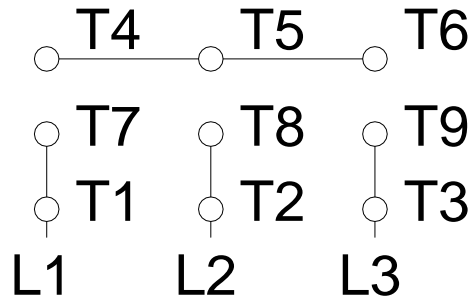
1 2 3 4 5 6 7 8

A

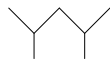
### LOW VOLTAGE

### HIGH VOLTAGE

B



C



D

E

F

Notes: Downloaded from <http://dealerselectric.com>  
 Generated for Model #.5036ES3EJPR56J

Performed by:

Checked:

Customer:

Jet Pump - NEMA 56 : Three-Phase - Threaded - TEFC (IP55)

Three-phase induction motor  
Frame B56J - IP55

12-SEP-2016

