



Dealers Industrial Equipment

No.:

Date: 12-SEP-2016

Customer :

TECHNICAL PROPOSAL

Three-phase induction motor - Squirrel cage rotor

Product line : Jet Pump: Three-Phase - W01 (Rolled Steel) - Keyed - TEFC - Standard
Efficiency
Catalog Number : .5036ES3EJPR56C-S
List Price : \$270

Notes:

Downloaded from <http://dealerselectric.com>
Generated for Model #.5036ES3EJPR56C-S

Performed by:

Checked:



Dealers Industrial Equipment

No.:

Date: 12-SEP-2016

DATA SHEET Three-phase induction motor - Squirrel cage rotor

Customer :
 Product line : Jet Pump: Three-Phase - W01 (Rolled Steel) - Keyed - TEFC - Standard Efficiency

Frame : 56C
 Output : 0.5 HP
 Frequency : 60 Hz
 Poles : 2
 Full load speed : 3500 rpm
 Slip : 2.78 %
 Voltage : 208-230/460 V
 Rated current : 1.86-1.69/0.843 A
 Locked rotor current : 11.8/5.90 A
 Locked rotor current (I_L/I_n) : 7.0
 No-load current : 0.900/0.450 A
 Full load torque : 0.740 lb.ft
 Locked rotor torque : 260 %
 Breakdown torque : 300 %
 Design : A
 Insulation class : F
 Temperature rise : 80 K
 Locked rotor time : 35 s (hot)
 Service factor : 1.15
 Duty cycle : S1
 Ambient temperature : -20°C - +40°C
 Altitude : 1000 m
 Degree of Protection : IP55
 Approximate weight : 19 lb
 Moment of inertia : 0.04532 sq.ft.lb
 Noise level : 68 dB(A)

| | D.E. | N.D.E. | Load | Power factor | Efficiency (%) |
|---------------------|---------|---------|------|--------------|----------------|
| Bearings | 6203 ZZ | 6202 ZZ | 100% | 0.81 | 68.0 |
| Regreasing interval | --- | --- | 75% | 0.75 | 62.0 |
| Grease amount | --- | --- | 50% | 0.67 | 55.0 |

Notes:
 Downloaded from <http://dealerselectric.com>
 Generated for Model #.5036ES3EJPR56C-S

Performed by

Checked

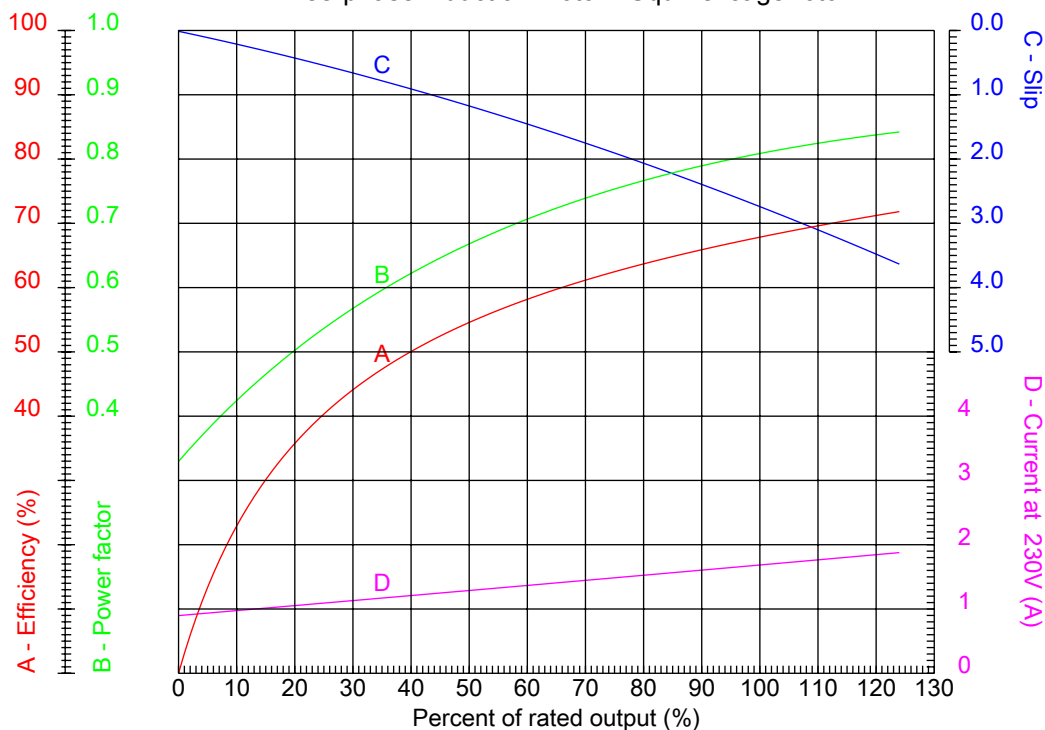


Dealers Industrial Equipment

No.:

Date: 12-SEP-2016

PERFORMANCE CURVES RELATED TO RATED OUTPUT Three-phase induction motor - Squirrel cage rotor



Customer :
 Product line : Jet Pump: Three-Phase - W01 (Rolled Steel) - Keyed - TEFC - Standard Efficiency

| | |
|-----------------------------------|--|
| Frame : 56C | Locked rotor current (I _l /I _n) : 7.0 |
| Output : 0.5 HP | Duty cycle : S1 |
| Frequency : 60 Hz | Service factor : 1.15 |
| Full load speed : 3500 rpm | Design : A |
| Voltage : 208-230/460 V | Locked rotor torque : 260 % |
| Rated current : 1.86-1.69/0.843 A | Breakdown torque : 300 % |
| Insulation class : F | |

Notes:
 Downloaded from <http://dealerselectric.com>
 Generated for Model #.5036ES3EJPR56C-S

Performed by

Checked



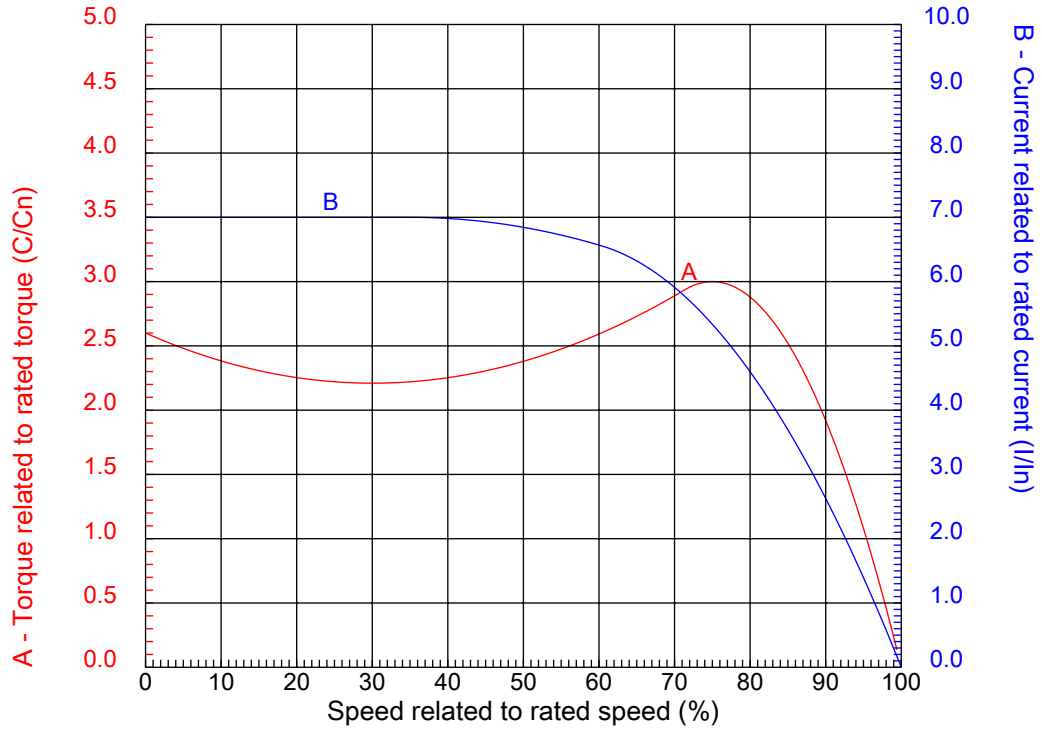
Dealers Industrial Equipment

No.:

Date: 12-SEP-2016

CHARACTERISTIC CURVES RELATED TO SPEED

Three-phase induction motor - Squirrel cage rotor



Customer :
Product line : Jet Pump: Three-Phase - W01 (Rolled Steel) - Keyed - TEFC - Standard Efficiency

| | | | |
|------------------|---------------------|--|---------|
| Frame | : 56C | Locked rotor current (I _l /I _n) | : 7.0 |
| Output | : 0.5 HP | Duty cycle | : S1 |
| Frequency | : 60 Hz | Service factor | : 1.15 |
| Full load speed | : 3500 rpm | Design | : A |
| Voltage | : 208-230/460 V | Locked rotor torque | : 260 % |
| Rated current | : 1.86-1.69/0.843 A | Breakdown torque | : 300 % |
| Insulation class | : F | | |

Notes:
Downloaded from <http://dealerselectric.com>
Generated for Model #.5036ES3EJPR56C-S

Performed by

Checked

1 2 3 4 5 6 7 8

A

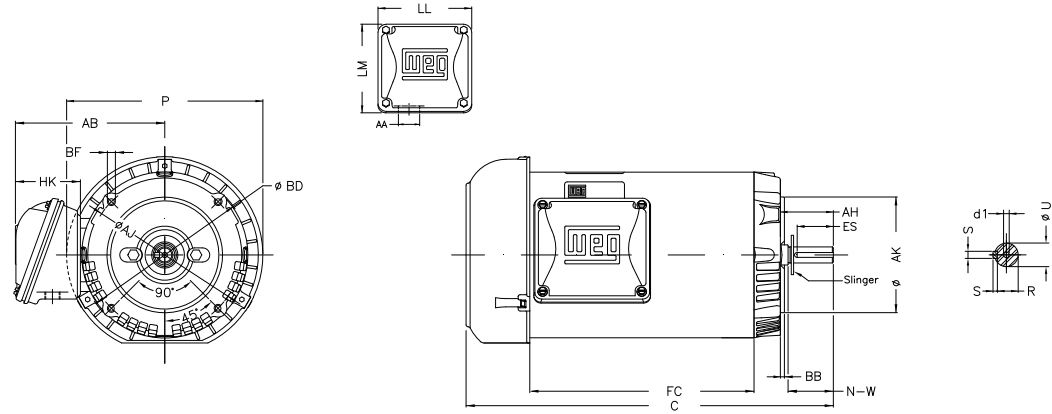
B

C

D

E

F



Notes: Downloaded from <http://dealerselectric.com>
Generated for Model #.5036ES3EJPR56C-S

Performed by:

Checked:

Customer:

Jet Pump: Three-Phase - W01 (Rolled Steel) - Keyed - TEFC - Standard

| | | | | |
|--------|----------------|--------|-------|-------|
| P | AB | AA | U | ES |
| 7.638 | 5.882 | 0.881" | 0.625 | 1.417 |
| C | FC | Flange | AJ | AK |
| 11.535 | 5.906 | FC-149 | 5.874 | 4.500 |
| BD | BF | BB | AH | |
| 6.450 | UNC 3/8"x16-2B | 0.157 | 2.062 | |

Three-phase induction motor
Frame 56C - IP55

12-SEP-2016

