



Dealers Industrial Equipment

No.:

Date: 12-SEP-2016

Customer :

TECHNICAL PROPOSAL

Three-phase induction motor - Squirrel cage rotor

Product line : Three Phase: W01 (Rolled Steel) - TEFC - Standard Efficiency

Catalog Number : .5036ES3E56-S

List Price : \$258

Notes:

Downloaded from <http://dealerselectric.com>

Generated for Model #.5036ES3E56-S

Performed by:

Checked:



Dealers Industrial Equipment

No.:

Date: 12-SEP-2016

DATA SHEET Three-phase induction motor - Squirrel cage rotor

Customer :
 Product line : Three Phase: W01 (Rolled Steel) - TEFC - Standard Efficiency

Frame : 56
 Output : 0.5 HP
 Frequency : 60 Hz
 Poles : 2
 Full load speed : 3500 rpm
 Slip : 2.78 %
 Voltage : 208-230/460 V
 Rated current : 1.86-1.69/0.843 A
 Locked rotor current : 11.8/5.90 A
 Locked rotor current (I_L/I_n) : 7.0
 No-load current : 0.900/0.450 A
 Full load torque : 0.740 lb.ft
 Locked rotor torque : 260 %
 Breakdown torque : 300 %
 Design : A
 Insulation class : F
 Temperature rise : 80 K
 Locked rotor time : 35 s (hot)
 Service factor : 1.15
 Duty cycle : S1
 Ambient temperature : -20°C - +40°C
 Altitude : 1000 m
 Degree of Protection : IP55
 Approximate weight : 19 lb
 Moment of inertia : 0.04532 sq.ft.lb
 Noise level : 68 dB(A)

| | D.E. | N.D.E. |
|---------------------|---------|---------|
| Bearings | 6203 ZZ | 6202 ZZ |
| Regreasing interval | --- | --- |
| Grease amount | --- | --- |

| Load | Power factor | Efficiency (%) |
|------|--------------|----------------|
| 100% | 0.81 | 68.0 |
| 75% | 0.75 | 62.0 |
| 50% | 0.67 | 55.0 |

Notes:
 Downloaded from <http://dealerselectric.com>
 Generated for Model #.5036ES3E56-S

Performed by

Checked



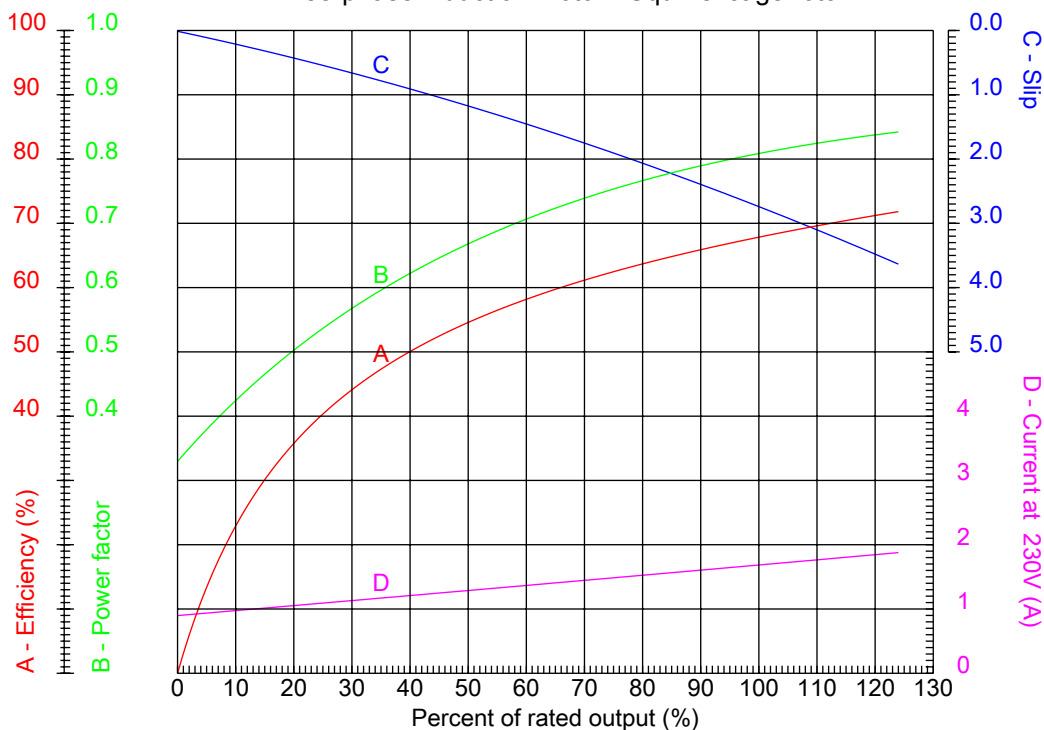
Dealers Industrial Equipment

No.:

Date: 12-SEP-2016

PERFORMANCE CURVES RELATED TO RATED OUTPUT

Three-phase induction motor - Squirrel cage rotor



Customer :
 Product line : Three Phase: W01 (Rolled Steel) - TEFC - Standard Efficiency

| | | | |
|------------------|---------------------|--|---------|
| Frame | : 56 | Locked rotor current (I _L /I _n) | : 7.0 |
| Output | : 0.5 HP | Duty cycle | : S1 |
| Frequency | : 60 Hz | Service factor | : 1.15 |
| Full load speed | : 3500 rpm | Design | : A |
| Voltage | : 208-230/460 V | Locked rotor torque | : 260 % |
| Rated current | : 1.86-1.69/0.843 A | Breakdown torque | : 300 % |
| Insulation class | : F | | |

Notes:
 Downloaded from <http://dealerselectric.com>
 Generated for Model #.5036ES3E56-S

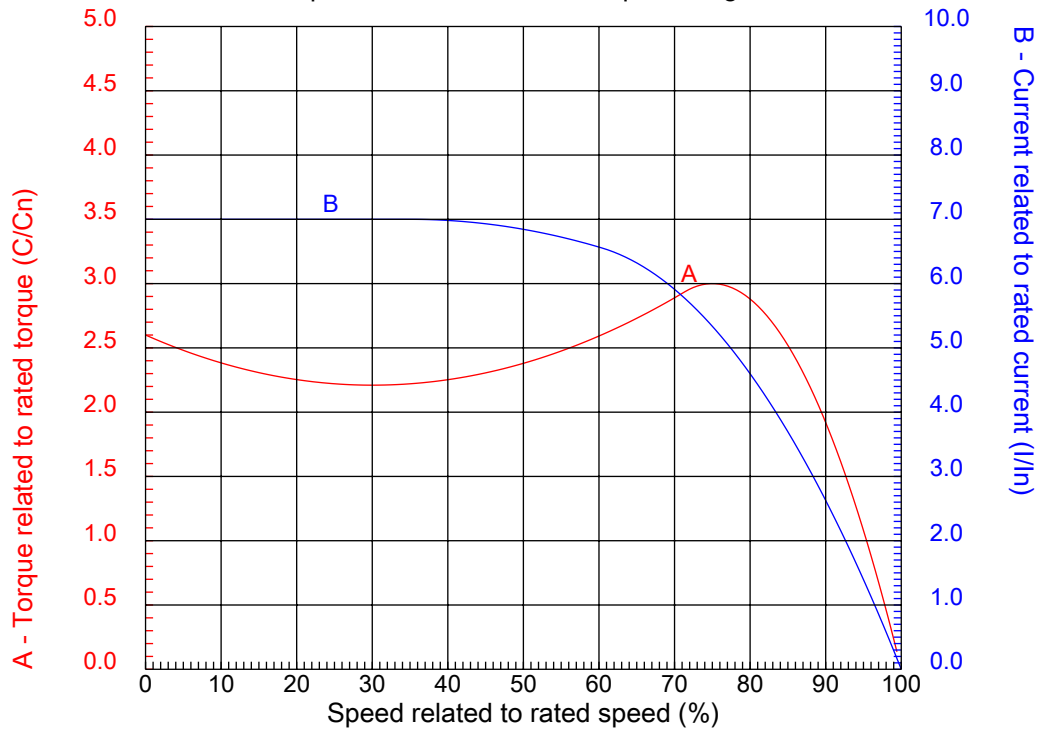
Performed by

Checked



CHARACTERISTIC CURVES RELATED TO SPEED

Three-phase induction motor - Squirrel cage rotor



Customer :
Product line : Three Phase: W01 (Rolled Steel) - TEFC - Standard Efficiency

| | | | |
|------------------|---------------------|--|---------|
| Frame | : 56 | Locked rotor current (I _l /I _n) | : 7.0 |
| Output | : 0.5 HP | Duty cycle | : S1 |
| Frequency | : 60 Hz | Service factor | : 1.15 |
| Full load speed | : 3500 rpm | Design | : A |
| Voltage | : 208-230/460 V | Locked rotor torque | : 260 % |
| Rated current | : 1.86-1.69/0.843 A | Breakdown torque | : 300 % |
| Insulation class | : F | | |

Notes:
Downloaded from <http://dealerselectric.com>
Generated for Model #.5036ES3E56-S

Performed by

Checked

1 2 3 4 5 6 7 8

A

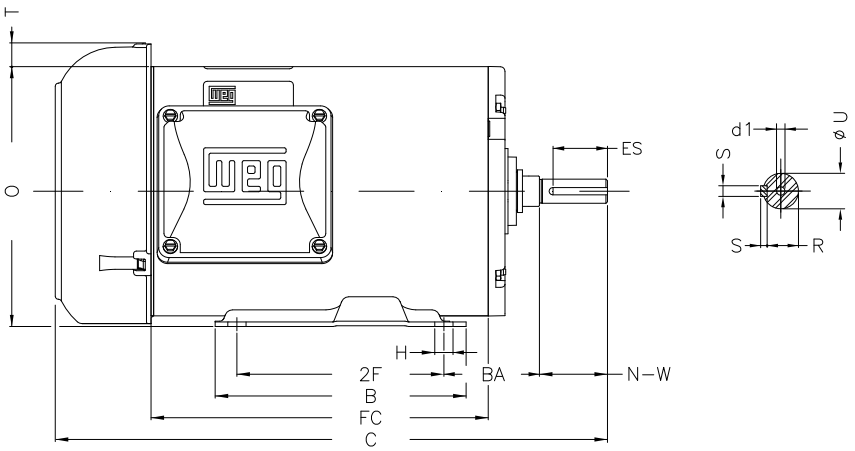
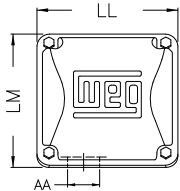
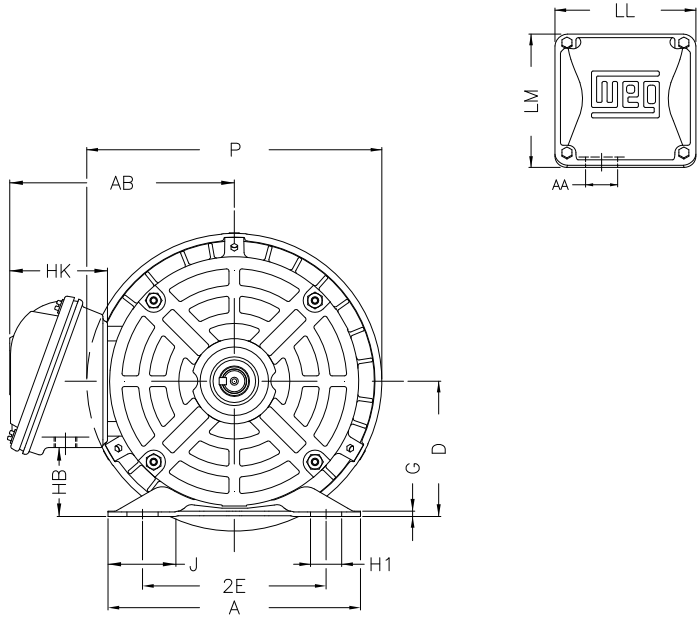
B

C

D

E

F



Notes: Downloaded from <http://dealerselectric.com>
Generated for Model #.5036ES3E56-S

Performed by:

Checked:

Customer:

Three Phase: W01 (Rolled Steel) - TEFC - Standard Efficiency

Three-phase induction motor
Frame 56 - IP55

12-SEP-2016



| | | | | |
|-------|--------|-------|--------|--------|
| P | AB | J | 2E | A |
| 7.638 | 5.882 | 1.732 | 4.874 | 6.535 |
| H | G | HB | HK | T |
| 0.343 | 0.120 | 1.783 | 2.638 | 0.603 |
| O | FC | 2F | B | C |
| 6.724 | 5.906 | 3.000 | 4.016 | 11.535 |
| BA | N-W | ES | d1 | S |
| 2.750 | 1.874 | 1.417 | A 3,15 | 0.187 |
| U | AA | depth | R | LL |
| 0.625 | 0.881" | 0.187 | 0.517 | 4.543 |
| LM | BB | D | | |
| 4.106 | 0.603 | 3.500 | | |