



Dealers Industrial Equipment

No.:

Date: 12-SEP-2016

Customer :

TECHNICAL PROPOSAL

Single-phase induction motor - Squirrel cage rotor

Product line : Jet Pump - NEMA 56 : Single-Phase - Keyed - TEFC (IP55)

Catalog Number : .5036ES1BJPR56C

List Price : \$299

Notes:

Downloaded from <http://dealerselectric.com>

Generated for Model #.5036ES1BJPR56C

Performed by:

Checked:



# Dealers Industrial Equipment

No.:

Date: 12-SEP-2016

## DATA SHEET Single-phase induction motor - Squirrel cage rotor

Customer :  
 Product line : Jet Pump - NEMA 56 : Single-Phase - Keyed - TEFC (IP55)

Frame : B56  
 Output : 0.5 HP  
 Frequency : 60 Hz  
 Poles : 2  
 Full load speed : 3480 rpm  
 Slip : 3.33 %  
 Voltage : 115/208-230 V  
 Rated current : 7.60/3.80-3.80 A  
 Locked rotor current : 42.6/21.3 A  
 Locked rotor current (I<sub>L</sub>/I<sub>n</sub>) : 5.6  
 No-load current : 5.60/2.80 A  
 Full load torque : 0.744 lb.ft  
 Locked rotor torque : 320 %  
 Breakdown torque : 280 %  
 Design : ---  
 Insulation class : B  
 Temperature rise : 80 K  
 Locked rotor time : 6 s (hot)  
 Service factor : 1.15 (1.00 at 208V)  
 Duty cycle : S1  
 Ambient temperature : -20°C - +40°C  
 Altitude : 1000 m  
 Degree of Protection : IP55  
 Approximate weight : 27 lb  
 Moment of inertia : 0.03156 sq.ft.lb  
 Noise level : ---

	D.E.	N.D.E.
Bearings	6203 2RS	6202 2RS
Regreasing interval	---	---
Grease amount	---	---

Load	Power factor	Efficiency (%)
100%	0.73	58.0
75%	0.66	52.0
50%	0.56	45.0

Notes:  
 Downloaded from <http://dealerselectric.com>  
 Generated for Model #.5036ES1BJPR56C

Performed by

Checked



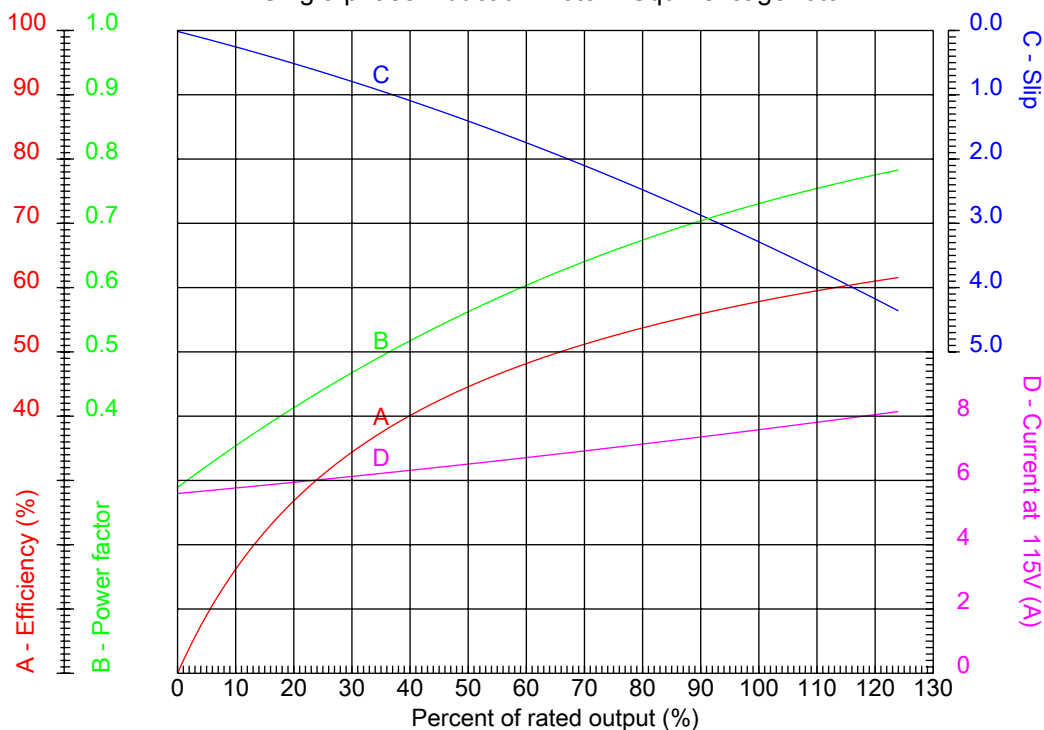
# Dealers Industrial Equipment

No.:

Date: 12-SEP-2016

## PERFORMANCE CURVES RELATED TO RATED OUTPUT

Single-phase induction motor - Squirrel cage rotor



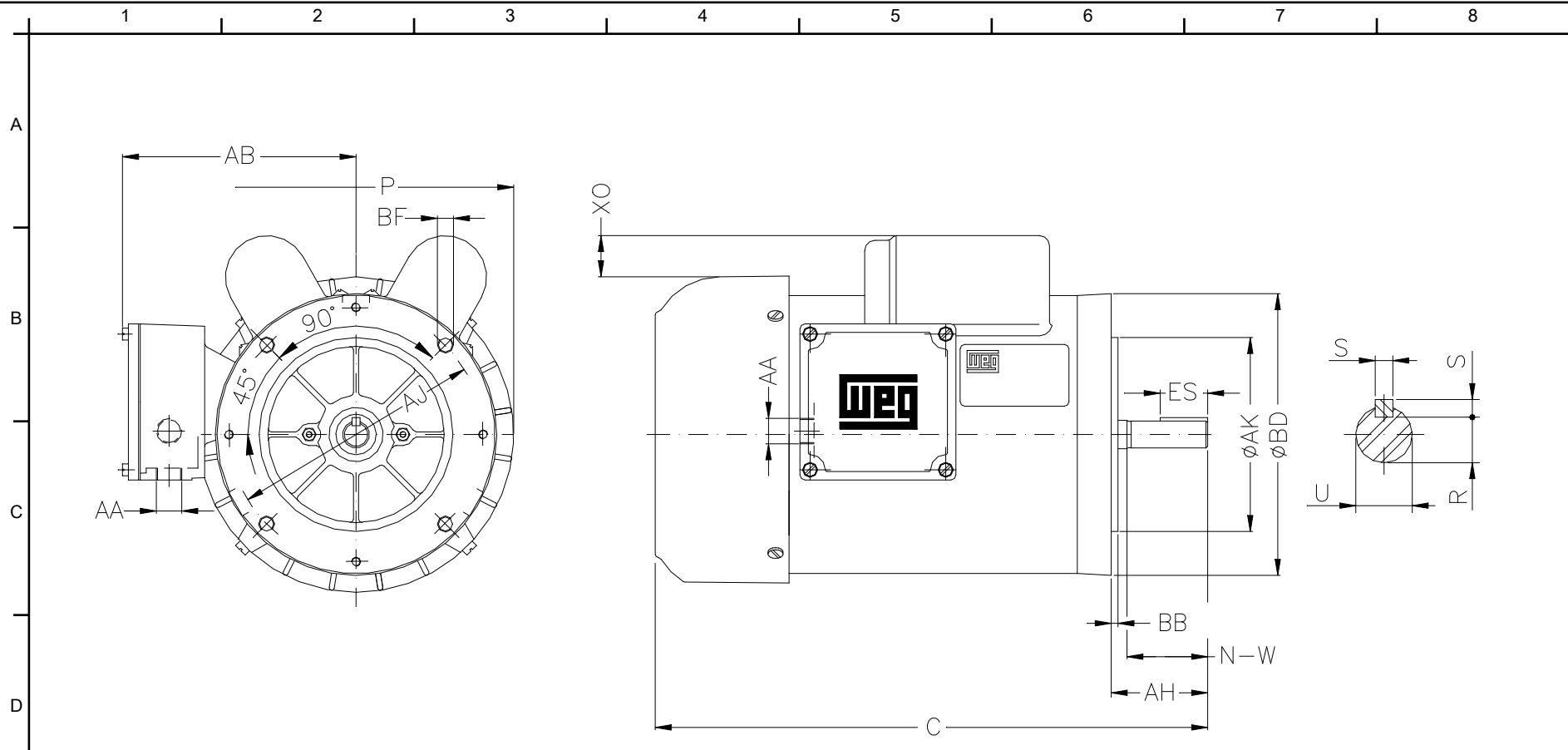
Customer :  
 Product line : Jet Pump - NEMA 56 : Single-Phase - Keyed - TEFC (IP55)

Frame	: B56	Locked rotor current (I <sub>l</sub> /I <sub>n</sub> )	: 5.6
Output	: 0.5 HP	Duty cycle	: S1
Frequency	: 60 Hz	Service factor	: 1.15 (1.00 at 208V)
Full load speed	: 3480 rpm	Design	: ---
Voltage	: 115/208-230 V	Locked rotor torque	: 320 %
Rated current	: 7.60/3.80-3.80 A	Breakdown torque	: 280 %
Insulation class	: B		

Notes:  
 Downloaded from <http://dealerselectric.com>  
 Generated for Model #.5036ES1BJPR56C

Performed by

Checked



Notes: Downloaded from <http://dealerselectric.com>  
 Generated for Model #.5036ES1BJPR56C

Performed by:

Checked:

Customer:

Jet Pump - NEMA 56 : Single-Phase - Keyed - TEFC (IP55)

P	C	ES	N-W	U
7.323	11.102	1.417	1.874	0.6250
S	R	AB	AA	d1
0.187	0.517	5.433	NPT 1/2"	D UNF 1/4"-28
Flange FC-149	AJ	AK	BD	BF
	5.874	4.500	6.535	UNC 3/8"x16-2B
BB	AH			
0.157	2.063			

Single-phase induction motor  
 Frame B56 - IP55

12-SEP-2016

