



Dealers Industrial Equipment

No.:

Date: 12-SEP-2016

Customer :

TECHNICAL PROPOSAL

Single-phase induction motor - Squirrel cage rotor

Product line : Single-Phase : NEMA 56 TEFC

Catalog Number : .5036ES1BB56

List Price : \$284

Notes:

Downloaded from <http://dealerselectric.com>

Generated for Model #.5036ES1BB56

Performed by:

Checked:



# Dealers Industrial Equipment

No.:

Date: 12-SEP-2016

## DATA SHEET Single-phase induction motor - Squirrel cage rotor

Customer :  
Product line : Single-Phase : NEMA 56 TEFC

Frame : B56  
Output : 0.5 HP  
Frequency : 60 Hz  
Poles : 2  
Full load speed : 3480 rpm  
Slip : 3.33 %  
Voltage : 115/208-230 V  
Rated current : 7.60/3.80-3.80 A  
Locked rotor current : 42.6/21.3 A  
Locked rotor current (I<sub>L</sub>/I<sub>n</sub>) : 5.6  
No-load current : 5.60/2.80 A  
Full load torque : 0.744 lb.ft  
Locked rotor torque : 320 %  
Breakdown torque : 280 %  
Design : ---  
Insulation class : B  
Temperature rise : 80 K  
Locked rotor time : 6 s (hot)  
Service factor : 1.15 (1.00 at 208V)  
Duty cycle : S1  
Ambient temperature : -20°C - +40°C  
Altitude : 1000 m  
Degree of Protection : IP55  
Approximate weight : 23 lb  
Moment of inertia : 0.03156 sq.ft.lb  
Noise level : ---

	D.E.	N.D.E.
Bearings	6203 ZZ	6202 ZZ
Regreasing interval	---	---
Grease amount	---	---

Load	Power factor	Efficiency (%)
100%	0.73	58.0
75%	0.66	52.0
50%	0.56	45.0

Notes:  
Downloaded from <http://dealerselectric.com>  
Generated for Model #.5036ES1BB56

Performed by

Checked

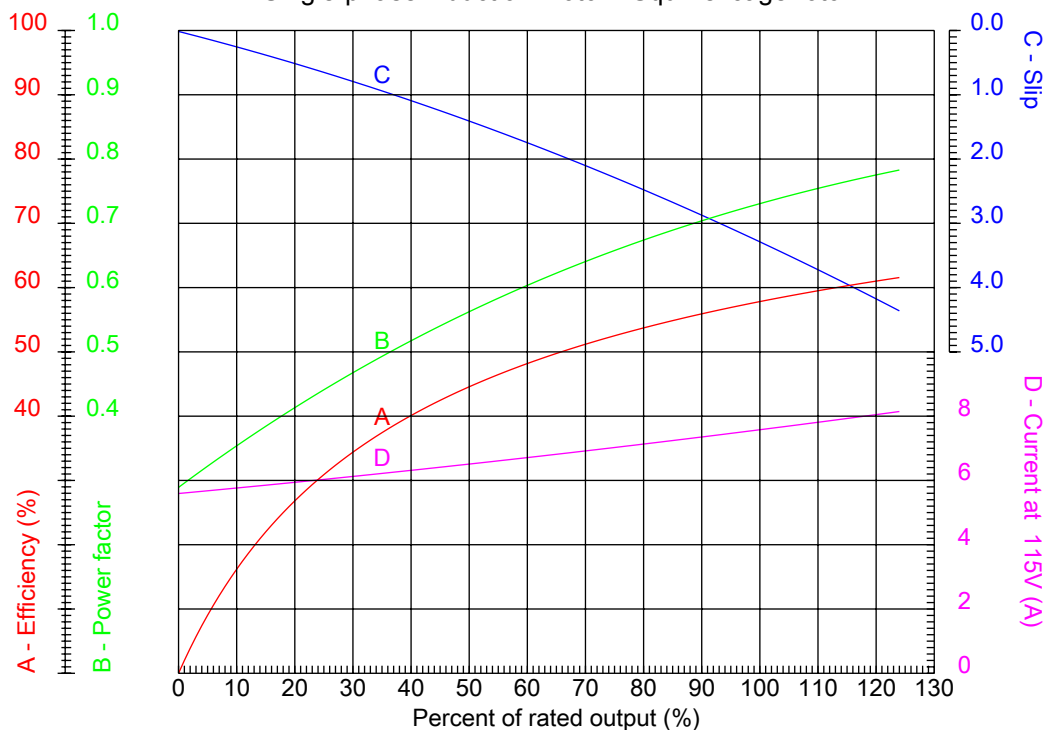


# Dealers Industrial Equipment

No.:

Date: 12-SEP-2016

## PERFORMANCE CURVES RELATED TO RATED OUTPUT Single-phase induction motor - Squirrel cage rotor



Customer :  
 Product line : Single-Phase : NEMA 56 TEFC

Frame	: B56	Locked rotor current (I <sub>L</sub> /I <sub>n</sub> )	: 5.6
Output	: 0.5 HP	Duty cycle	: S1
Frequency	: 60 Hz	Service factor	: 1.15 (1.00 at 208V)
Full load speed	: 3480 rpm	Design	: ---
Voltage	: 115/208-230 V	Locked rotor torque	: 320 %
Rated current	: 7.60/3.80-3.80 A	Breakdown torque	: 280 %
Insulation class	: B		

Notes:  
 Downloaded from <http://dealerselectric.com>  
 Generated for Model #.5036ES1BB56

Performed by

Checked

1 2 3 4 5 6 7 8

A

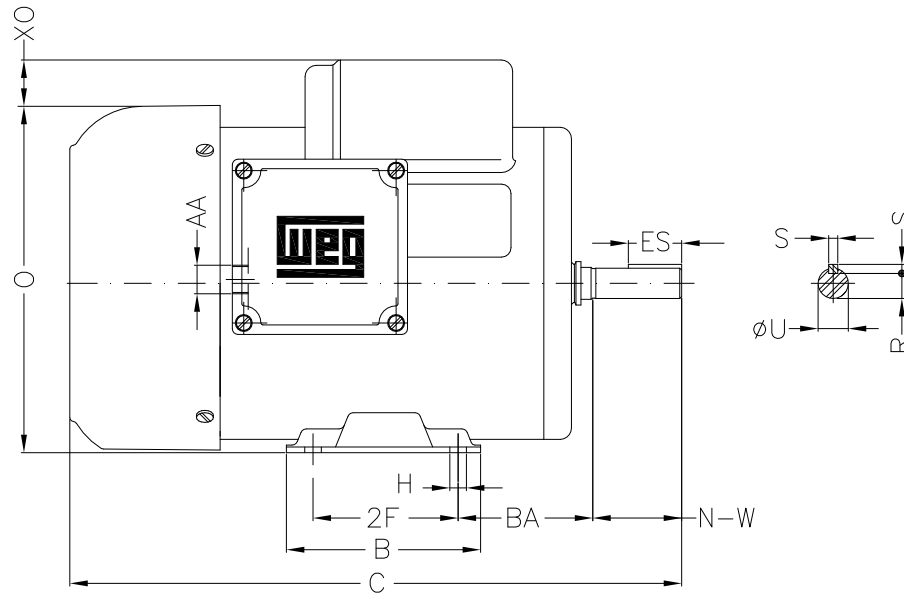
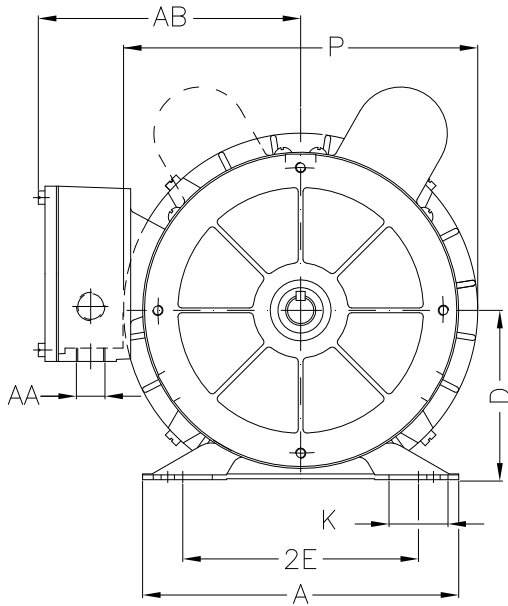
B

C

D

E

F



Notes: Downloaded from <http://dealerselectric.com>  
Generated for Model #.5036ES1BB56

Performed by:

Checked:

Customer:

Single-Phase : NEMA 56 TEFC

Single-phase induction motor  
Frame B56 - IP55

12-SEP-2016



2E 4.874	H 0.342	A 6.535	2F 3.000	B 4.016
BA 2.750	J 1.220	P 7.323	ES 1.102	S 0.187
depth 0.187	N-W 1.874	U 0.6250	R 0.517	D 3.500
O 7.165	XO 1.063	C 11.102	AA 2xNPT 1/2"	