



Dealers Industrial Equipment

No.:

Date: 12-SEP-2016

Customer :

TECHNICAL PROPOSAL

Three-phase induction motor - Squirrel cage rotor

Product line : Three-Phase: Fractional Explosion Proof Motors

Catalog Number : .5018XS3E56

List Price : \$741

Notes:

Downloaded from <http://dealerselectric.com>

Generated for Model #.5018XS3E56

Performed by:

Checked:



Dealers Industrial Equipment

No.:

Date: 12-SEP-2016

DATA SHEET Three-phase induction motor - Squirrel cage rotor

Customer :
 Product line : Three-Phase: Fractional Explosion Proof Motors

Frame : 56
 Output : 0.5 HP
 Frequency : 60 Hz
 Poles : 4
 Full load speed : 1725 rpm
 Slip : 4.17 %
 Voltage : 208-230/460 V
 Rated current : 1.77-1.60/0.802 A
 Locked rotor current : 10.6/5.29 A
 Locked rotor current (I_L/I_n) : 6.6
 No-load current : 1.20/0.600 A
 Full load torque : 1.50 lb.ft
 Locked rotor torque : 290 %
 Breakdown torque : 400 %
 Design : A
 Insulation class : F
 Temperature rise : 80 K
 Locked rotor time : 13 s (hot)
 Service factor : 1.00
 Duty cycle : S1
 Ambient temperature : -20°C - +50°C
 Altitude : 1000 m
 Degree of Protection : IP55
 Approximate weight : 24 lb
 Moment of inertia : 0.01709 sq.ft.lb
 Noise level : ---

	D.E.	N.D.E.
Bearings	6203 ZZ	6203 ZZ
Regreasing interval	---	---
Grease amount	---	---

Load	Power factor	Efficiency (%)
100%	0.75	77.2
75%	0.67	75.0
50%	0.55	69.0

Notes:
 Downloaded from <http://dealerselectric.com>
 Generated for Model #.5018XS3E56

Performed by

Checked



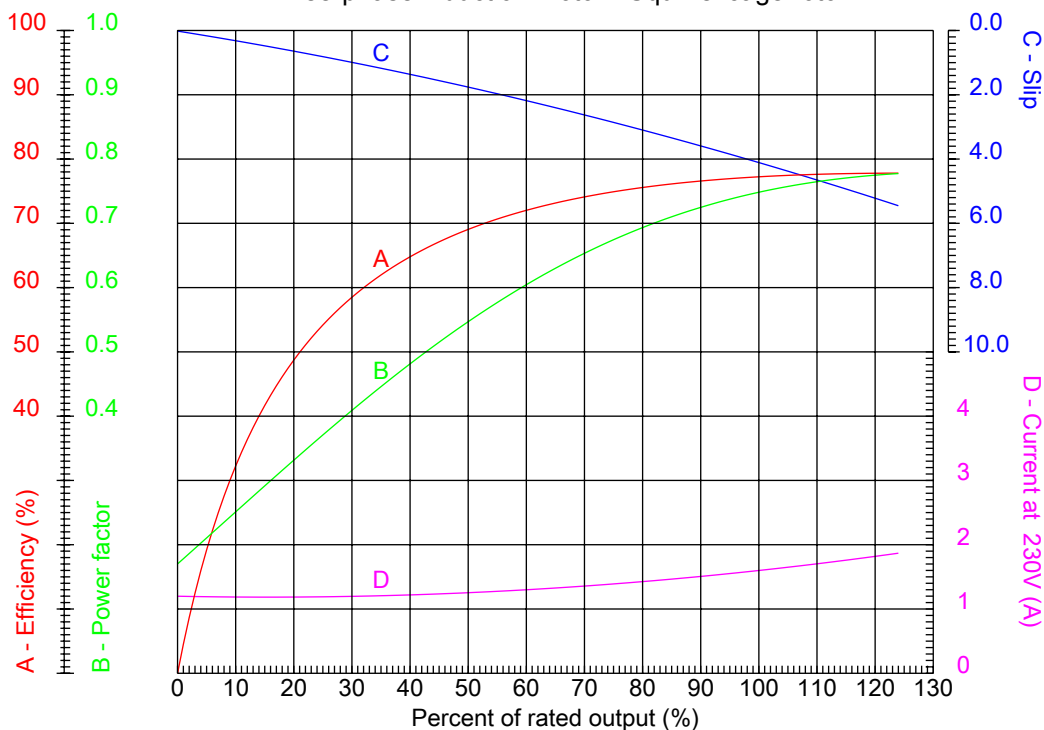
Dealers Industrial Equipment

No.:

Date: 12-SEP-2016

PERFORMANCE CURVES RELATED TO RATED OUTPUT

Three-phase induction motor - Squirrel cage rotor



Customer :
Product line : Three-Phase: Fractional Explosion Proof Motors

Frame	: 56	Locked rotor current (I _l /I _n)	: 6.6
Output	: 0.5 HP	Duty cycle	: S1
Frequency	: 60 Hz	Service factor	: 1.00
Full load speed	: 1725 rpm	Design	: A
Voltage	: 208-230/460 V	Locked rotor torque	: 290 %
Rated current	: 1.77-1.60/0.802 A	Breakdown torque	: 400 %
Insulation class	: F		

Notes:
Downloaded from <http://dealerselectric.com>
Generated for Model #.5018XS3E56

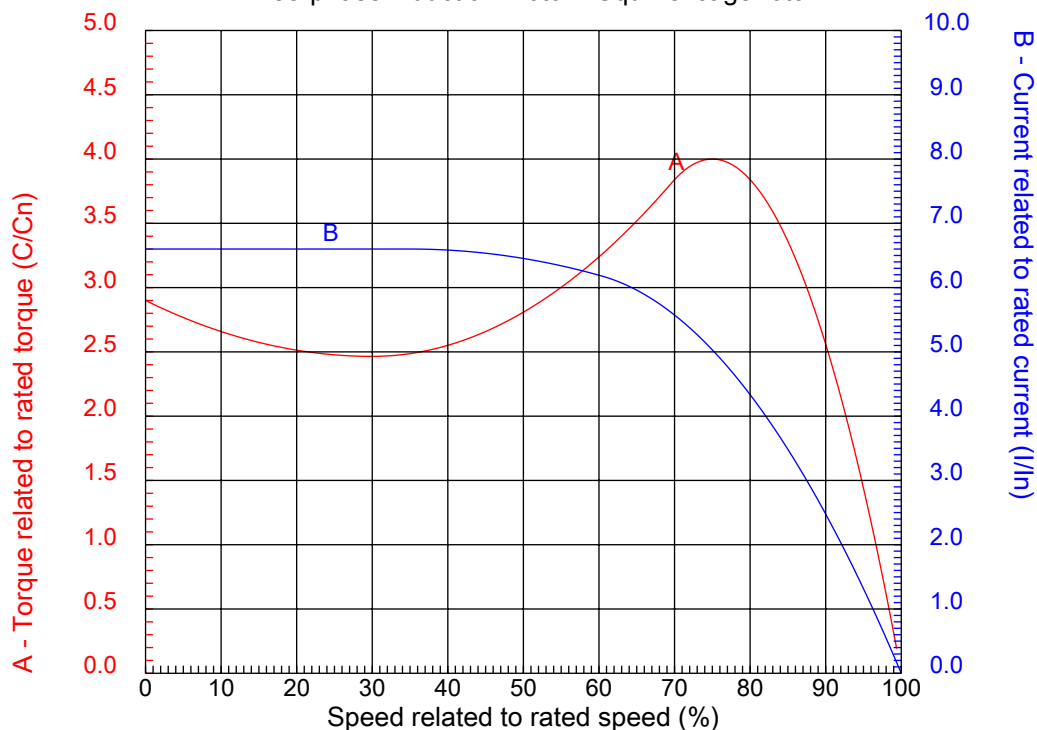
Performed by

Checked



CHARACTERISTIC CURVES RELATED TO SPEED

Three-phase induction motor - Squirrel cage rotor



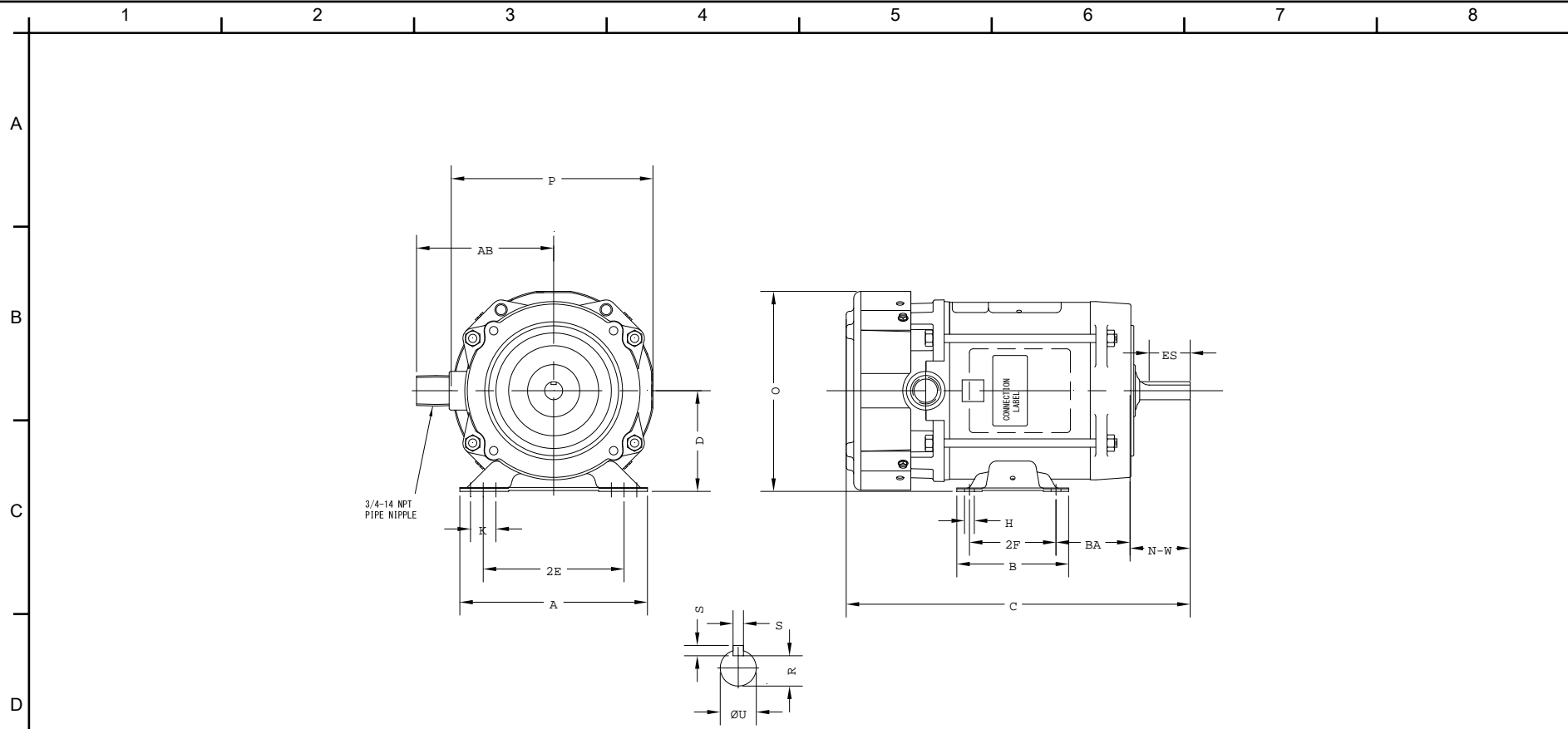
Customer :
Product line : Three-Phase: Fractional Explosion Proof Motors

Frame	: 56	Locked rotor current (I _l /I _n)	: 6.6
Output	: 0.5 HP	Duty cycle	: S1
Frequency	: 60 Hz	Service factor	: 1.00
Full load speed	: 1725 rpm	Design	: A
Voltage	: 208-230/460 V	Locked rotor torque	: 290 %
Rated current	: 1.77-1.60/0.802 A	Breakdown torque	: 400 %
Insulation class	: F		

Notes:
Downloaded from <http://dealerselectric.com>
Generated for Model #.5018XS3E56

Performed by

Checked



Notes: Downloaded from <http://dealerselectric.com>
 Generated for Model #.5018XS3E56

Performed by:

Checked:

Customer:

Three-Phase: Fractional Explosion Proof Motors

F	2E 4.880	A 6.500	P 6.980	B 3.880	BA 2.750
	U 0.6250	N-W 1.880	ES 1.380	S 0.190	R 0.517
	D 3.500	O 6.920	H 0.340	C 11.920	d1 SEM

Three-phase induction motor
 Frame 56 - IP55

12-SEP-2016

