



Dealers Industrial Equipment

No.:

Date: 12-SEP-2016

Customer :

TECHNICAL PROPOSAL

Single-phase induction motor - Squirrel cage rotor

Product line : Single-Phase: Fractional Explosion Proof Motors

Catalog Number : .5018XS1B56

List Price : \$739

Notes:

Downloaded from <http://dealerselectric.com>

Generated for Model #.5018XS1B56

Performed by:

Checked:



Dealers Industrial Equipment

No.:

Date: 12-SEP-2016

DATA SHEET Single-phase induction motor - Squirrel cage rotor

Customer :
 Product line : Single-Phase: Fractional Explosion Proof Motors

Frame : 56
 Output : 0.5 HP
 Frequency : 60 Hz
 Poles : 4
 Full load speed : 1725 rpm
 Slip : 4.17 %
 Voltage : 115/208-230 V
 Rated current : 8.40/4.20 A
 Locked rotor current : 39.5/19.7 A
 Locked rotor current (I_L/I_n) : 4.7
 No-load current : 6.80/3.40 A
 Full load torque : 1.50 lb.ft
 Locked rotor torque : 230 %
 Breakdown torque : 260 %
 Design : ---
 Insulation class : F
 Temperature rise : 80 K
 Locked rotor time : 9 s (hot)
 Service factor : 1.00
 Duty cycle : S1
 Ambient temperature : -20°C - +50°C
 Altitude : 1000 m
 Degree of Protection : IP55
 Approximate weight : 24 lb
 Moment of inertia : 0.02088 sq.ft.lb
 Noise level : ---

	D.E.	N.D.E.	Load	Power factor	Efficiency (%)
Bearings	6203 ZZ	6203 ZZ	100%	0.64	63.4
Regreasing interval	---	---	75%	0.55	58.0
Grease amount	---	---	50%	0.46	50.0

Notes:
 Downloaded from <http://dealerselectric.com>
 Generated for Model #.5018XS1B56

Performed by

Checked

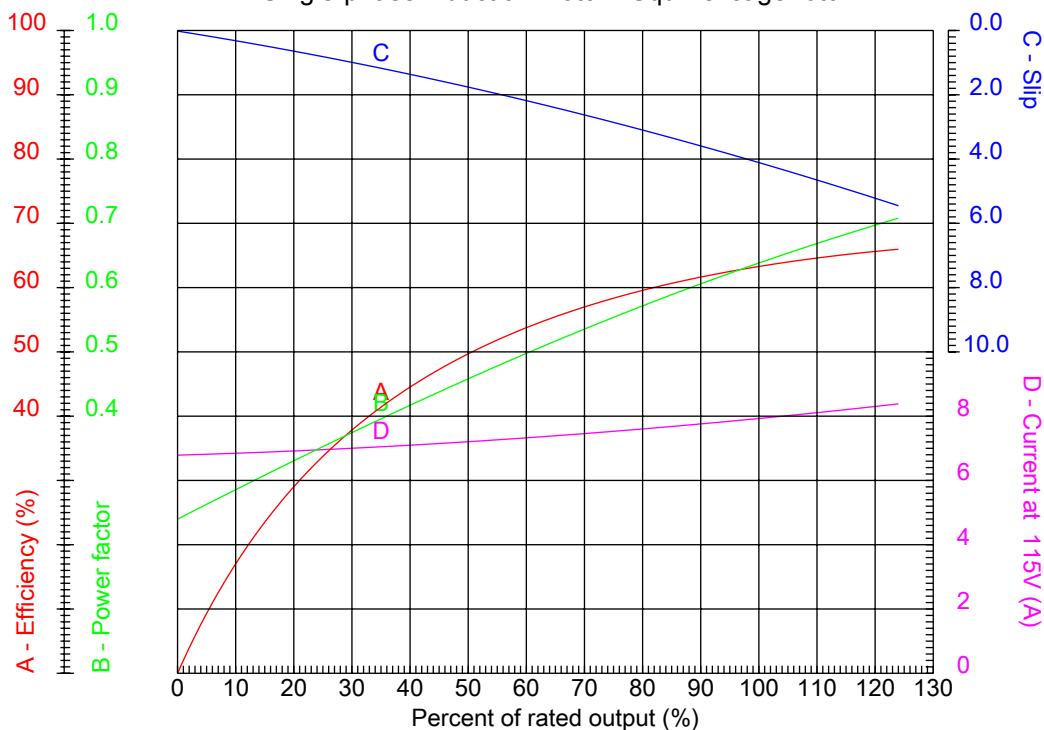


Dealers Industrial Equipment

No.:

Date: 12-SEP-2016

PERFORMANCE CURVES RELATED TO RATED OUTPUT Single-phase induction motor - Squirrel cage rotor



Customer :
Product line : Single-Phase: Fractional Explosion Proof Motors

Frame	: 56	Locked rotor current (I _L /I _n)	: 4.7
Output	: 0.5 HP	Duty cycle	: S1
Frequency	: 60 Hz	Service factor	: 1.00
Full load speed	: 1725 rpm	Design	: ---
Voltage	: 115/208-230 V	Locked rotor torque	: 230 %
Rated current	: 8.40/4.20 A	Breakdown torque	: 260 %
Insulation class	: F		

Notes:
Downloaded from <http://dealerselectric.com>
Generated for Model #.5018XS1B56

Performed by

Checked

1 2 3 4 5 6 7 8

A

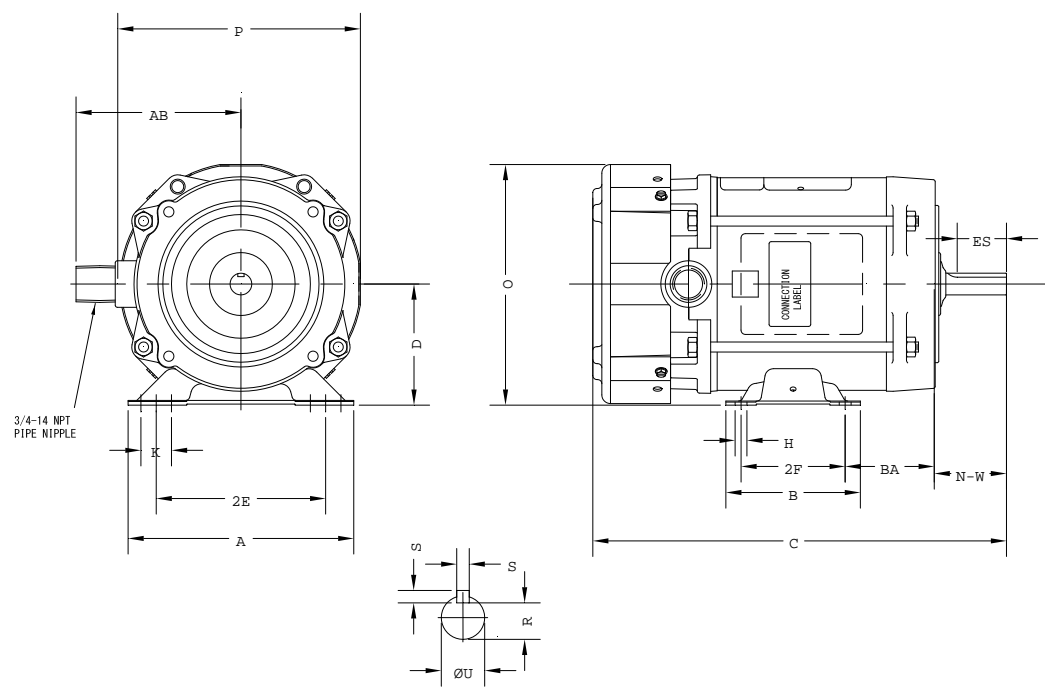
B

C

D

E

F



Notes: Downloaded from <http://dealerselectric.com>
Generated for Model #.5018XS1B56

Performed by:

Checked:

Customer:

Single-Phase: Fractional Explosion Proof Motors

2E 4.880	A 6.500	P 6.980	AB 4.500	B 3.880
BA 2.750	U 0.6250	N-W 1.880	ES 1.380	S 0.190
R 0.517	D 3.500	O 6.920	H 0.340	C 12.290
d1 SEM				

Single-phase induction motor
Frame 56 - IP55

12-SEP-2016

