



Dealers Industrial Equipment

No.:

Date: 12-SEP-2016

Customer :

TECHNICAL PROPOSAL

## Single-phase induction motor - Squirrel cage rotor

Product line : Farm Duty Motors : TEFC (IP55) - Single-Phase

Catalog Number : .5018ES1RFDB56

List Price : \$308

Notes:

Downloaded from <http://dealerselectric.com>

Generated for Model #.5018ES1RFDB56

Performed by:

Checked:



Dealers Industrial Equipment

No.:

Date: 12-SEP-2016

### DATA SHEET Single-phase induction motor - Squirrel cage rotor

Customer :  
Product line : Farm Duty Motors : TEFC (IP55) - Single-Phase

Frame : B56  
Output : 0.5 HP  
Frequency : 60 Hz  
Poles : 4  
Full load speed : 1750 rpm  
Slip : 2.78 %  
Voltage : 115/230 V  
Rated current : 7.40/3.70 A  
Locked rotor current : 42.9/21.5 A  
Locked rotor current (I<sub>L</sub>/I<sub>n</sub>) : 5.8  
No-load current : 5.60/2.80 A  
Full load torque : 1.48 lb.ft  
Locked rotor torque : 290 %  
Breakdown torque : 270 %  
Design : ---  
Insulation class : B  
Temperature rise : 80 K  
Locked rotor time : 6 s (hot)  
Service factor : 1.15  
Duty cycle : S1  
Ambient temperature : -20°C - +40°C  
Altitude : 1000 m  
Degree of Protection : IP55  
Approximate weight : 24 lb  
Moment of inertia : 0.08044 sq.ft.lb  
Noise level : ---

	D.E.	N.D.E.
Bearings	6203 ZZ	6202 ZZ
Regreasing interval	---	---
Grease amount	---	---

Load	Power factor	Efficiency (%)
100%	0.65	66.5
75%	0.57	64.0
50%	0.46	56.0

Notes:  
Downloaded from <http://dealerselectric.com>  
Generated for Model #.5018ES1RFDB56

Performed by

Checked



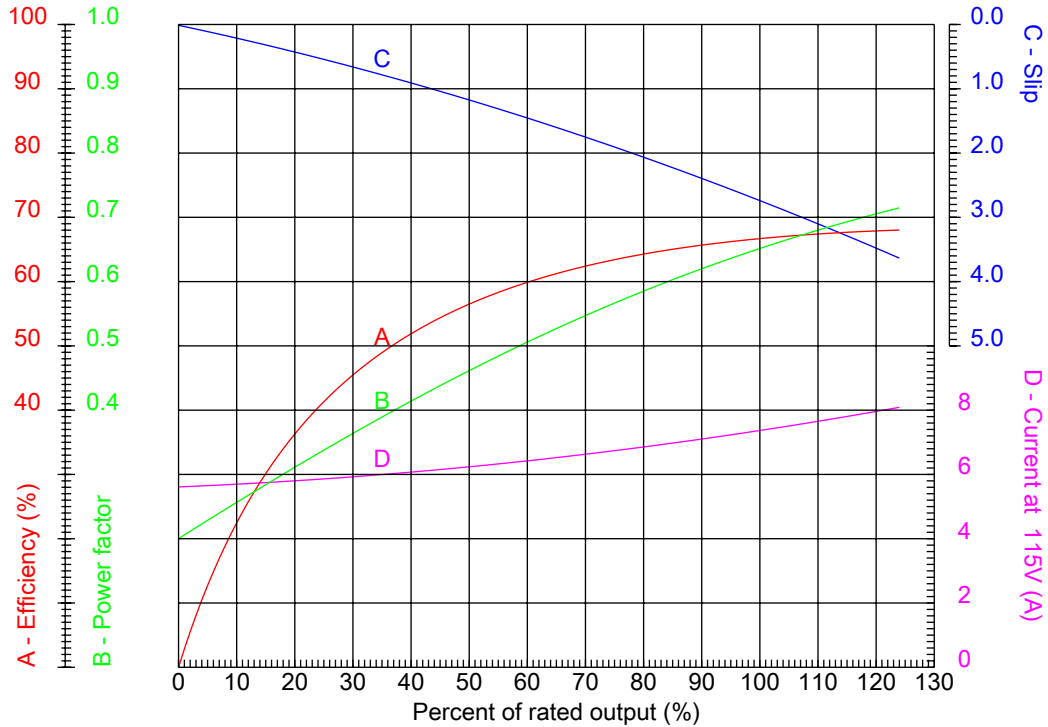
# Dealers Industrial Equipment

No.:

Date: 12-SEP-2016

## PERFORMANCE CURVES RELATED TO RATED OUTPUT

Single-phase induction motor - Squirrel cage rotor



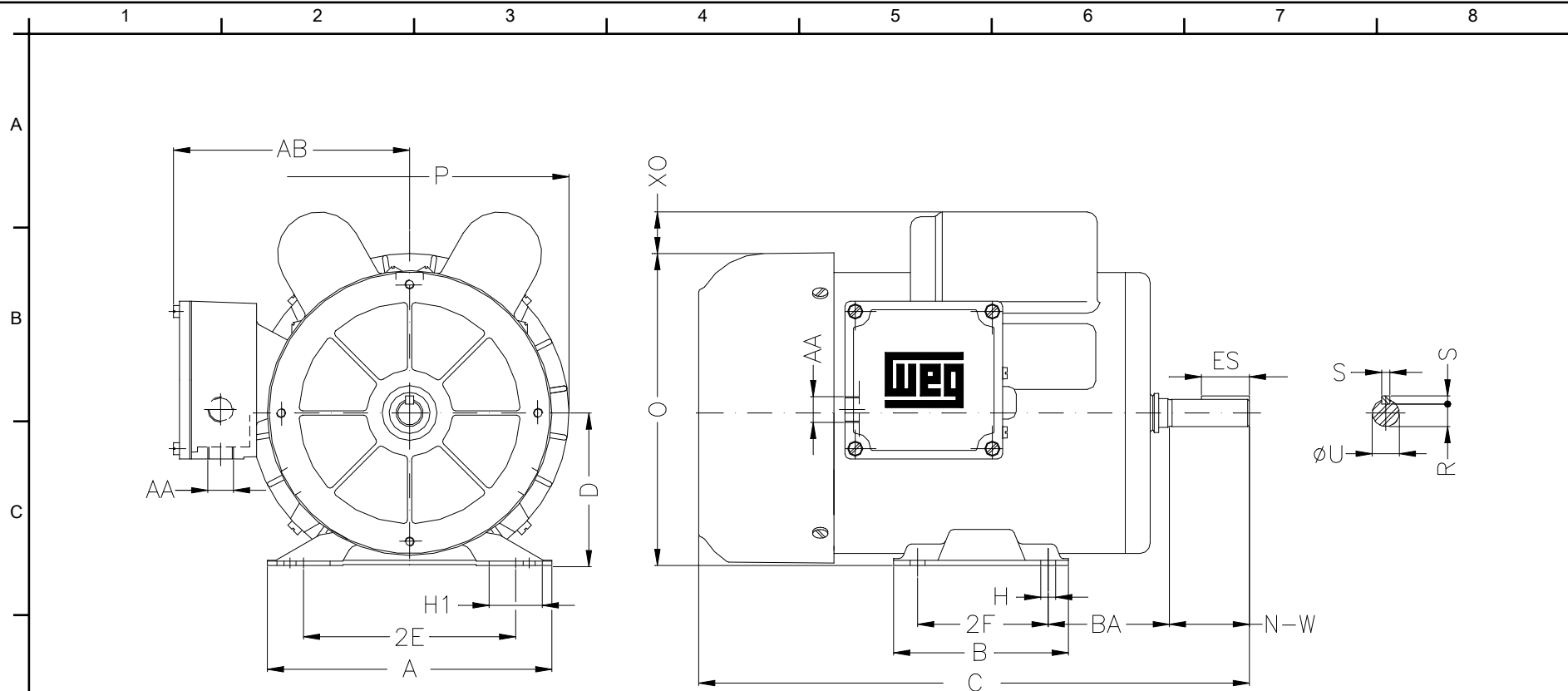
Customer :  
Product line : Farm Duty Motors : TEFC (IP55) - Single-Phase

Frame : B56	Locked rotor current (I <sub>l</sub> /I <sub>n</sub> ) : 5.8
Output : 0.5 HP	Duty cycle : S1
Frequency : 60 Hz	Service factor : 1.15
Full load speed : 1750 rpm	Design : ---
Voltage : 115/230 V	Locked rotor torque : 290 %
Rated current : 7.40/3.70 A	Breakdown torque : 270 %
Insulation class : B	

Notes:  
Downloaded from <http://dealerselectric.com>  
Generated for Model #.5018ES1RFDB56

Performed by

Checked



Notes: Downloaded from <http://dealerselectric.com>  
 Generated for Model #.5018ES1RFDB56

Performed by:

Checked:

Customer:

Farm Duty Motors : TEFC (IP55) - Single-Phase

2E 4.874	2F 3.000	H 0.342	BA 2.750	A 6.535
B 4.016	C 11.102	D 3.500	J 1.220	O 7.165
P 7.323	ES 1.102	S 0.187	N-W 1.874	U 0.6250
R 0.517	AB 5.433	AA 2xNPT 1/2"	d1 A 3.15	

Single-phase induction motor  
 Frame B56 - IP55

12-SEP-2016

