



Dealers Industrial Equipment

No.:

Date: 12-SEP-2016

Customer :

TECHNICAL PROPOSAL

Single-phase induction motor - Squirrel cage rotor

Product line : Single Phase: W01 (Rolled Steel) - TEFC - Standard Efficiency

Catalog Number : .5018ES1BW56CFL-S

List Price : \$333

Notes:

Downloaded from <http://dealerselectric.com>

Generated for Model #.5018ES1BW56CFL-S

Performed by:

Checked:



Dealers Industrial Equipment

No.:

Date: 12-SEP-2016

DATA SHEET

Single-phase induction motor - Squirrel cage rotor

Customer :
Product line : Single Phase: W01 (Rolled Steel) - TEFC - Standard Efficiency

Frame : W56
Output : 0.5 HP
Frequency : 60 Hz
Poles : 4
Full load speed : 1730 rpm
Slip : 3.89 %
Voltage : 115/208-230 V
Rated current : 8.00/4.42-4.00 A
Locked rotor current : 45.6/22.8 A
Locked rotor current (I_L/I_n) : 5.7
No-load current : 6.60/3.30 A
Full load torque : 1.50 lb.ft
Locked rotor torque : 320 %
Breakdown torque : 270 %
Design : ---
Insulation class : F
Temperature rise : 80 K
Locked rotor time : 10 s (hot)
Service factor : 1.15 (1.00 at 208V)
Duty cycle : S1
Ambient temperature : -20°C - +40°C
Altitude : 1000 m
Degree of Protection : IP55
Approximate weight : 21 lb
Moment of inertia : 0.04793 sq.ft.lb
Noise level : 52 dB(A)

| | D.E. | N.D.E. | Load | Power factor | Efficiency (%) |
|---------------------|---------|---------|------|--------------|----------------|
| Bearings | 6203 ZZ | 6202 ZZ | 100% | 0.63 | 64.0 |
| Regreasing interval | --- | --- | 75% | 0.54 | 59.0 |
| Grease amount | --- | --- | 50% | 0.44 | 52.0 |

Notes:

Downloaded from <http://dealerselectric.com>
Generated for Model #.5018ES1BW56CFL-S

Performed by

Checked

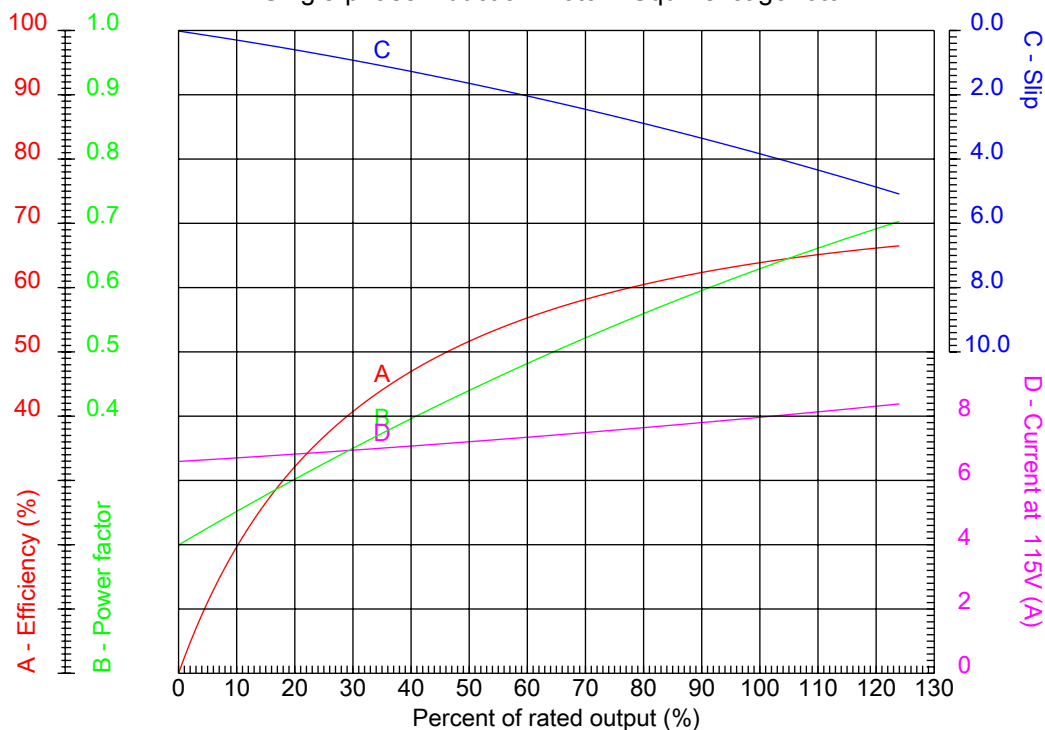


Dealers Industrial Equipment

No.:

Date: 12-SEP-2016

PERFORMANCE CURVES RELATED TO RATED OUTPUT Single-phase induction motor - Squirrel cage rotor



Customer :
 Product line : Single Phase: W01 (Rolled Steel) - TEFC - Standard Efficiency

| | | | |
|------------------|--------------------|--|-----------------------|
| Frame | : W56 | Locked rotor current (I _l /I _n) | : 5.7 |
| Output | : 0.5 HP | Duty cycle | : S1 |
| Frequency | : 60 Hz | Service factor | : 1.15 (1.00 at 208V) |
| Full load speed | : 1730 rpm | Design | : --- |
| Voltage | : 115/208-230 V | Locked rotor torque | : 320 % |
| Rated current | : 8.00/4.42-4.00 A | Breakdown torque | : 270 % |
| Insulation class | : F | | |

Notes:
 Downloaded from <http://dealerselectric.com>
 Generated for Model #.5018ES1BW56CFL-S

Performed by

Checked

1 2 3 4 5 6 7 8

A

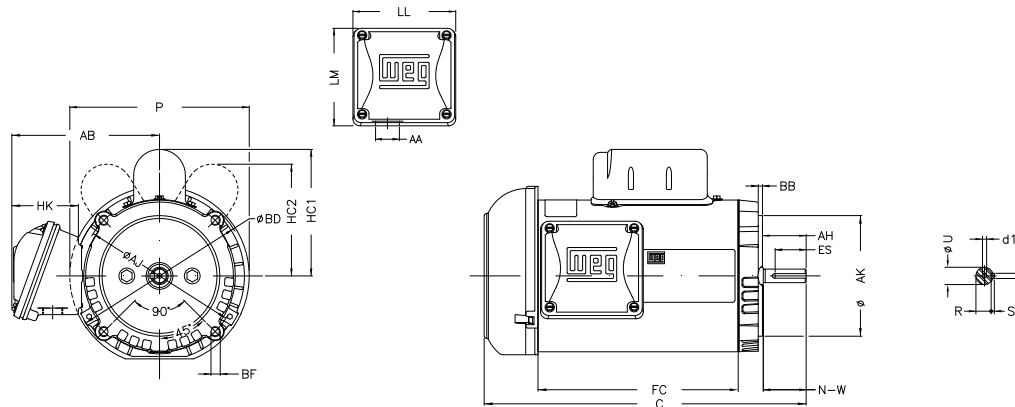
B

C

D

E

F



Notes: Downloaded from <http://dealerselectric.com>
Generated for Model #.5018ES1BW56CFL-S

Performed by:

Checked:

Customer:

Single Phase: W01 (Rolled Steel) - TEFC - Standard Efficiency

Single-phase induction motor
Frame W56 - IP55

12-SEP-2016



| | | | | |
|--------------|----------------------|------------------|-------------|-------------|
| P 6.693 | AB 5.520 | HK 2.650 | FC 7.087 | C 11.894 |
| N-W 1.874 | ES 1.417 | d1 A 3.15 | S 0.187 | U 0.625 |
| AA 0.881" | depth 0.187 | R 0.517 | LL 3.835 | LM 3.697 |
| CH 1.417 | HC1 4.717 | Flange FC-149 | AJ 5.874 | AK 4.500 |
| BD 6.470 | BF UNC 3/8"x16-2B | BB 0.157 | AH 2.063 | |