



Dealers Industrial Equipment

No.:

Date: 12-SEP-2016

Customer :

TECHNICAL PROPOSAL

Three-phase induction motor - Squirrel cage rotor

Product line : Three-Phase : NEMA 56 Frames - TEFC

Catalog Number : .5012ES3EB56

List Price : \$417

Notes:

Downloaded from <http://dealerselectric.com>

Generated for Model #.5012ES3EB56

Performed by:

Checked:



Dealers Industrial Equipment

No.:

Date: 12-SEP-2016

DATA SHEET

Three-phase induction motor - Squirrel cage rotor

Customer :
 Product line : Three-Phase : NEMA 56 Frames - TEFC

Frame : B56
 Output : 0.5 HP
 Frequency : 60 Hz
 Poles : 6
 Full load speed : 1160 rpm
 Slip : 3.33 %
 Voltage : 208-230/460 V
 Rated current : 2.40-2.60/1.30 A
 Locked rotor current : 13.8/6.89 A
 Locked rotor current (I_L/I_n) : 5.3
 No-load current : 2.30/1.15 A
 Full load torque : 2.23 lb.ft
 Locked rotor torque : 350 %
 Breakdown torque : 400 %
 Design : A
 Insulation class : F
 Temperature rise : 80 K
 Locked rotor time : 15 s (hot)
 Service factor : 1.15 (1.00 at 208V)
 Duty cycle : S1
 Ambient temperature : -20°C - +40°C
 Altitude : 1000 m
 Degree of Protection : IP55
 Approximate weight : 28 lb
 Moment of inertia : 0.10631 sq.ft.lb
 Noise level : ---

	D.E.	N.D.E.
Bearings	6203 ZZ	6202 ZZ
Regreasing interval	---	---
Grease amount	---	---

Load	Power factor	Efficiency (%)
100%	0.51	70.0
75%	0.43	66.0
50%	0.34	59.5

Notes:
 Downloaded from <http://dealerselectric.com>
 Generated for Model #.5012ES3EB56

Performed by

Checked



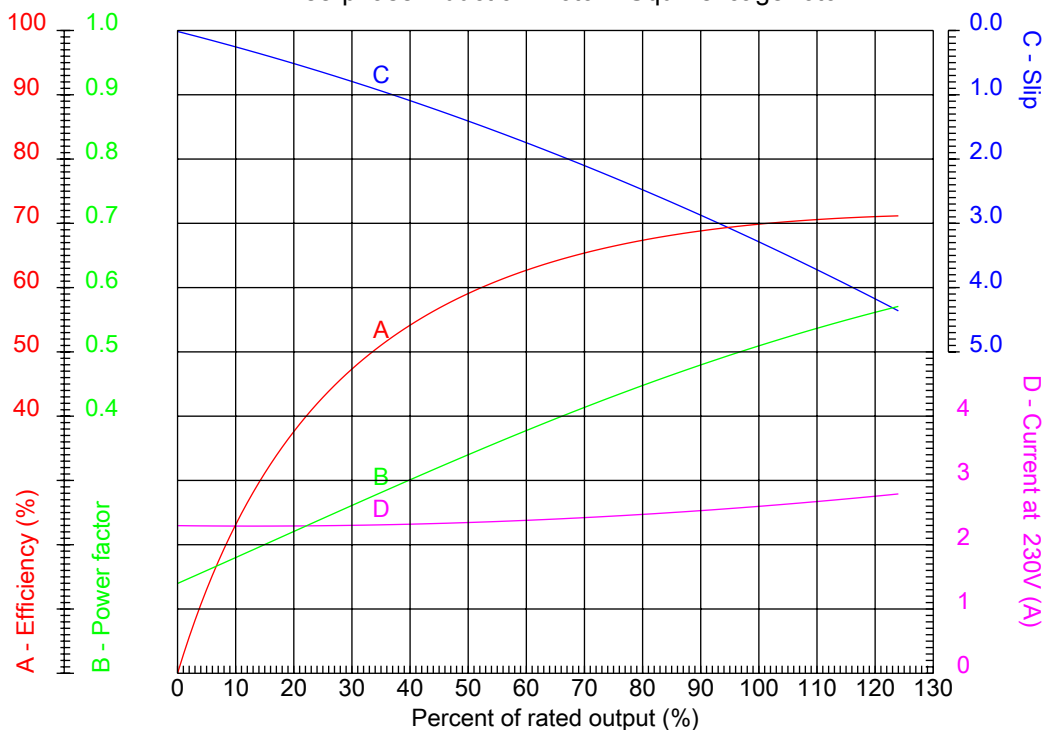
Dealers Industrial Equipment

No.:

Date: 12-SEP-2016

PERFORMANCE CURVES RELATED TO RATED OUTPUT

Three-phase induction motor - Squirrel cage rotor



Customer :
 Product line : Three-Phase : NEMA 56 Frames - TEFC

Frame	: B56	Locked rotor current (I _L /I _n)	: 5.3
Output	: 0.5 HP	Duty cycle	: S1
Frequency	: 60 Hz	Service factor	: 1.15 (1.00 at 208V)
Full load speed	: 1160 rpm	Design	: A
Voltage	: 208-230/460 V	Locked rotor torque	: 350 %
Rated current	: 2.40-2.60/1.30 A	Breakdown torque	: 400 %
Insulation class	: F		

Notes:
 Downloaded from <http://dealerselectric.com>
 Generated for Model #.5012ES3EB56

Performed by

Checked



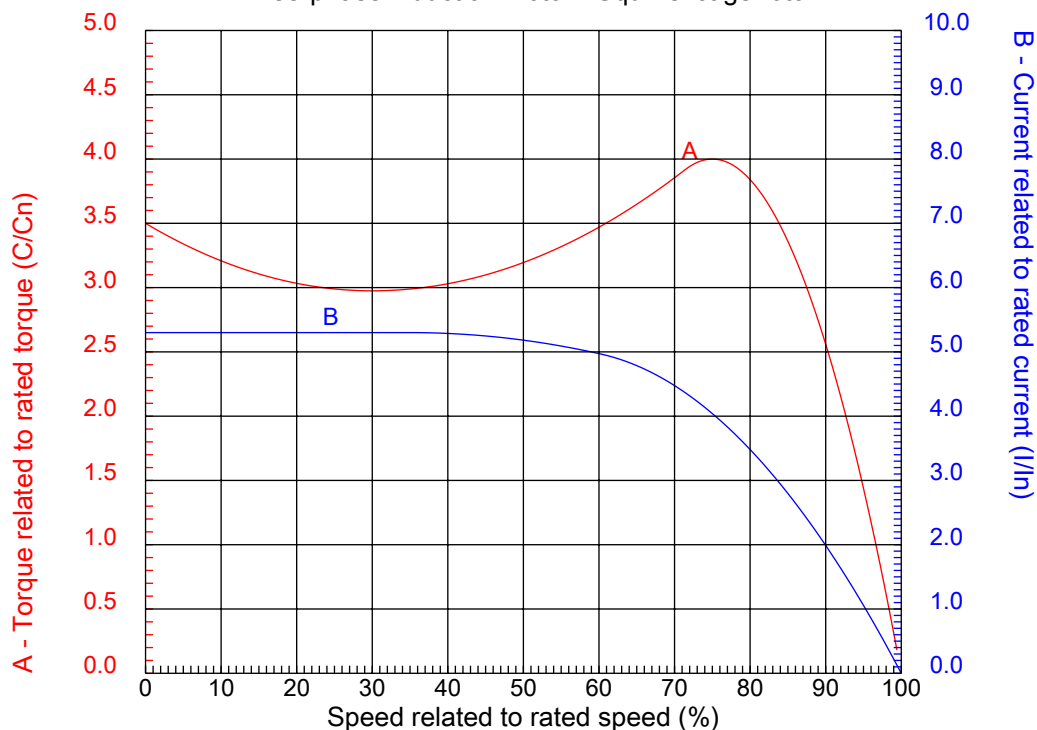
Dealers Industrial Equipment

No.:

Date: 12-SEP-2016

CHARACTERISTIC CURVES RELATED TO SPEED

Three-phase induction motor - Squirrel cage rotor



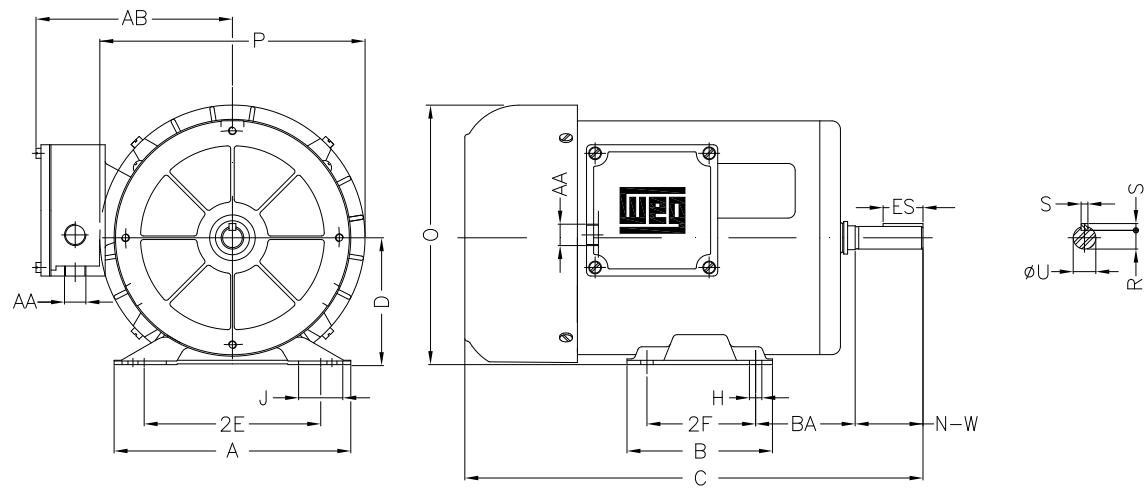
Customer :
Product line : Three-Phase : NEMA 56 Frames - TEFC

Frame	: B56	Locked rotor current (I _l /I _n)	: 5.3
Output	: 0.5 HP	Duty cycle	: S1
Frequency	: 60 Hz	Service factor	: 1.15 (1.00 at 208V)
Full load speed	: 1160 rpm	Design	: A
Voltage	: 208-230/460 V	Locked rotor torque	: 350 %
Rated current	: 2.40-2.60/1.30 A	Breakdown torque	: 400 %
Insulation class	: F		

Notes:
Downloaded from <http://dealerselectric.com>
Generated for Model #.5012ES3EB56

Performed by

Checked



Notes: Downloaded from <http://dealerselectric.com>
 Generated for Model #.5012ES3EB56

Performed by:

Checked:

Customer:

Three-Phase : NEMA 56 Frames - TEFC

2E	2F	H	BA	A
4.874	3.000	0.343	2.748	6.535
B	C	D	J	O
4.016	11.102	3.500	1.220	7.165
P	S	ES	R	N-W
7.323	0.187	1.102	0.517	1.874
U	AB	AA		
0.6250	5.433	2XNPT 1/2"		

Three-phase induction motor
 Frame B56 - IP55

12-SEP-2016



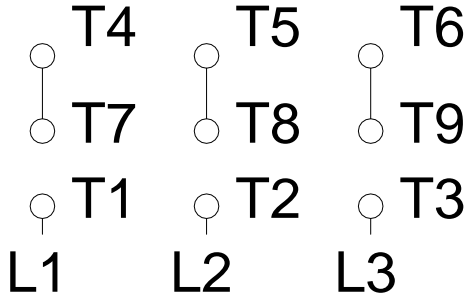
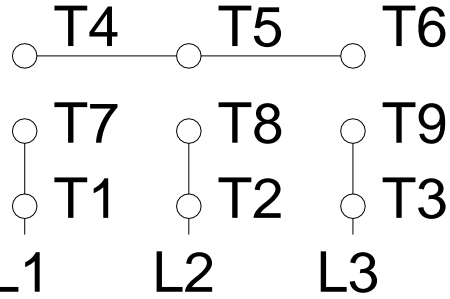
1 2 3 4 5 6 7 8

A

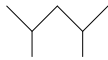
LOW VOLTAGE

HIGH VOLTAGE

B



C



D

E

F

Notes: Downloaded from <http://dealerselectric.com>
 Generated for Model #.5012ES3EB56

Performed by:

Checked:

Customer:

Three-Phase : NEMA 56 Frames - TEFC

Three-phase induction motor
 Frame B56 - IP55

12-SEP-2016

