



Dealers Industrial Equipment

No.:

Date: 12-SEP-2016

Customer :

TECHNICAL PROPOSAL

Single-phase induction motor - Squirrel cage rotor

Product line : Single-Phase : NEMA 56 TEFC

Catalog Number : .5012ES1BD56CFL

List Price : \$535

Notes:

Downloaded from <http://dealerselectric.com>

Generated for Model #.5012ES1BD56CFL

Performed by:

Checked:



Dealers Industrial Equipment

No.:

Date: 12-SEP-2016

DATA SHEET

Single-phase induction motor - Squirrel cage rotor

Customer :
Product line : Single-Phase : NEMA 56 TEFC

Frame : D56
Output : 0.5 HP
Frequency : 60 Hz
Poles : 6
Full load speed : 1180 rpm
Slip : 1.67 %
Voltage : 115/208-230 V
Rated current : 7.20/3.50-3.60 A
Locked rotor current : 41.0/20.5 A
Locked rotor current (I_L/I_n) : 5.7
No-load current : 5.60/2.80 A
Full load torque : 2.20 lb.ft
Locked rotor torque : 250 %
Breakdown torque : 300 %
Design : ---
Insulation class : B
Temperature rise : 80 K
Locked rotor time : 6 s (hot)
Service factor : 1.15 (1.00 at 208V)
Duty cycle : S1
Ambient temperature : -20°C - +40°C
Altitude : 1000 m
Degree of Protection : IP55
Approximate weight : 38 lb
Moment of inertia : 0.14285 sq.ft.lb
Noise level : ---

	D.E.	N.D.E.
Bearings	6204 ZZ	6202 ZZ
Regreasing interval	---	---
Grease amount	---	---

Load	Power factor	Efficiency (%)
100%	0.63	71.0
75%	0.55	67.0
50%	0.47	58.0

Notes:
Downloaded from <http://dealerselectric.com>
Generated for Model #.5012ES1BD56CFL

Performed by

Checked



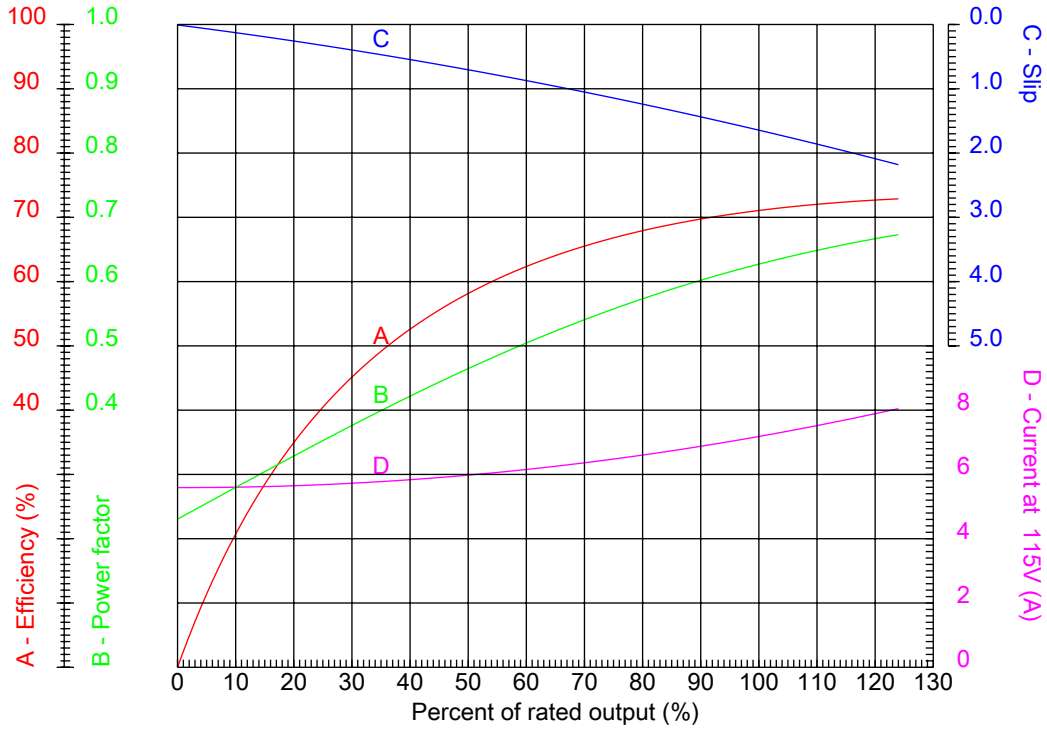
Dealers Industrial Equipment

No.:

Date: 12-SEP-2016

PERFORMANCE CURVES RELATED TO RATED OUTPUT

Single-phase induction motor - Squirrel cage rotor



Customer :
 Product line : Single-Phase : NEMA 56 TEFC

Frame : D56	Locked rotor current (I _L /I _n) : 5.7
Output : 0.5 HP	Duty cycle : S1
Frequency : 60 Hz	Service factor : 1.15 (1.00 at 208V)
Full load speed : 1180 rpm	Design : ---
Voltage : 115/208-230 V	Locked rotor torque : 250 %
Rated current : 7.20/3.50-3.60 A	Breakdown torque : 300 %
Insulation class : B	

Notes:
 Downloaded from <http://dealerselectric.com>
 Generated for Model #.5012ES1BD56CFL

Performed by

Checked

1 2 3 4 5 6 7 8

A

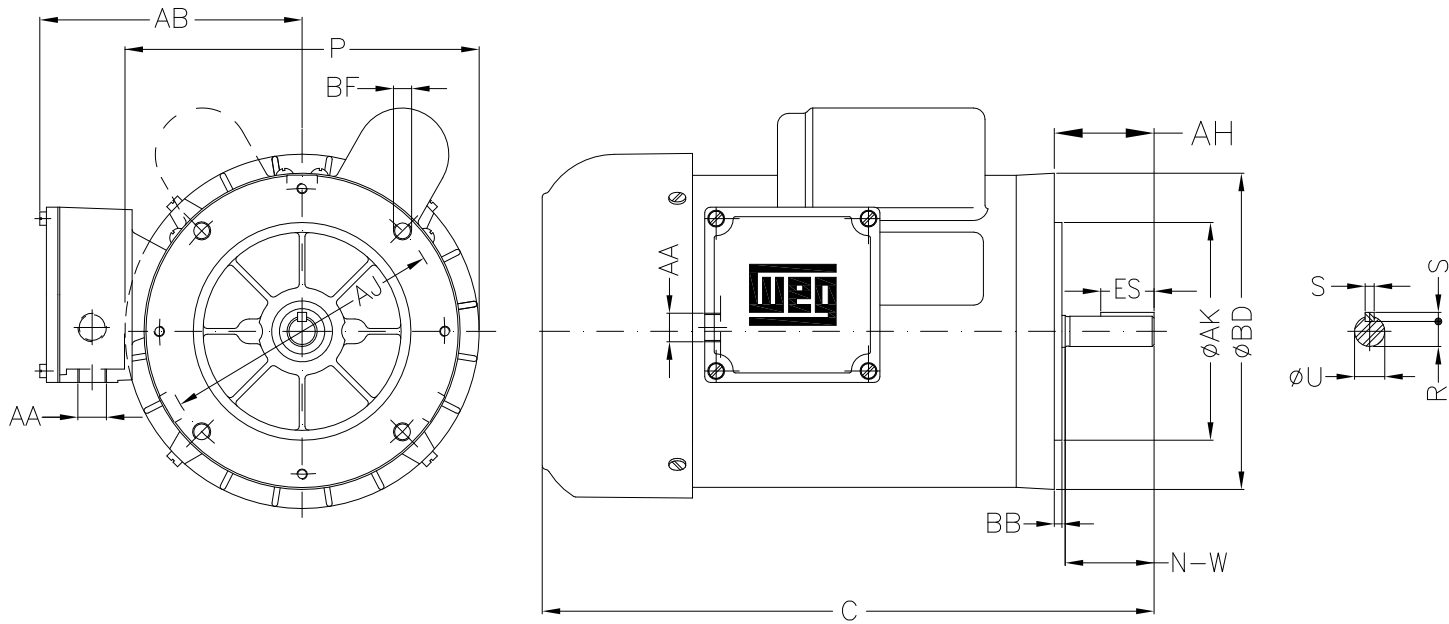
B

C

D

E

F



Notes: Downloaded from <http://dealerselectric.com>
Generated for Model #.5012ES1BD56CFL

Performed by:

Checked:

Customer:

Single-Phase : NEMA 56 TEFC

P	ES	S	depth	N-W
7.323	1.102	0.187	0.187	1.874
U	R	d1	C	AA
0.6250	0.517	A 3,15	12.283	2xNPT 1/2"
Flange	AJ	AK	BD	BF
FC-149	5.874	4.500	6.535	UNC 3/8"x16-2B
BB	AH			
0.157	2.063			

Single-phase induction motor
Frame D56 - IP55

12-SEP-2016

