



Dealers Industrial Equipment

No.:

Date: 12-SEP-2016

Customer :

TECHNICAL PROPOSAL

Three-phase induction motor - Squirrel cage rotor

Product line : Three-Phase : IEC Tru-Metric - TEFC (IP55) - Aluminum Frame

Catalog Number : .3718EP3EAL71

List Price : \$290

Notes:

Downloaded from <http://dealerselectric.com>

Generated for Model #.3718EP3EAL71

Performed by:

Checked:



Dealers Industrial Equipment

No.:

Date: 12-SEP-2016

### DATA SHEET Three-phase induction motor - Squirrel cage rotor

Customer :  
Product line : Three-Phase : IEC Tru-Metric - TEFC (IP55) - Aluminum Frame

Frame : 71  
Output : 0.5 HP  
Frequency : 60 Hz  
Poles : 4  
Full load speed : 1710 rpm  
Slip : 5.00 %  
Voltage : 230/460 V  
Rated current : 2.12/1.06 A  
Locked rotor current : 11.7/5.83 A  
Locked rotor current (I<sub>L</sub>/I<sub>n</sub>) : 5.5  
No-load current : 1.60/0.800 A  
Full load torque : 1.51 lb.ft  
Locked rotor torque : 280 %  
Breakdown torque : 290 %  
Design : ---  
Insulation class : F  
Temperature rise : 80 K  
Locked rotor time : 15 s (hot)  
Service factor : 1.15  
Duty cycle : S1  
Ambient temperature : -20°C - +40°C  
Altitude : 1000 m  
Degree of Protection : IP55  
Approximate weight : 20 lb  
Moment of inertia : 0.01875 sq.ft.lb  
Noise level : 47 dB(A)

	D.E.	N.D.E.
Bearings	6203 ZZ	6202 ZZ
Regreasing interval	---	---
Grease amount	---	---

Load	Power factor	Efficiency (%)
100%	0.60	73.0
75%	0.51	71.0
50%	0.38	65.0

Notes:  
Downloaded from <http://dealerselectric.com>  
Generated for Model #.3718EP3EAL71

Performed by

Checked



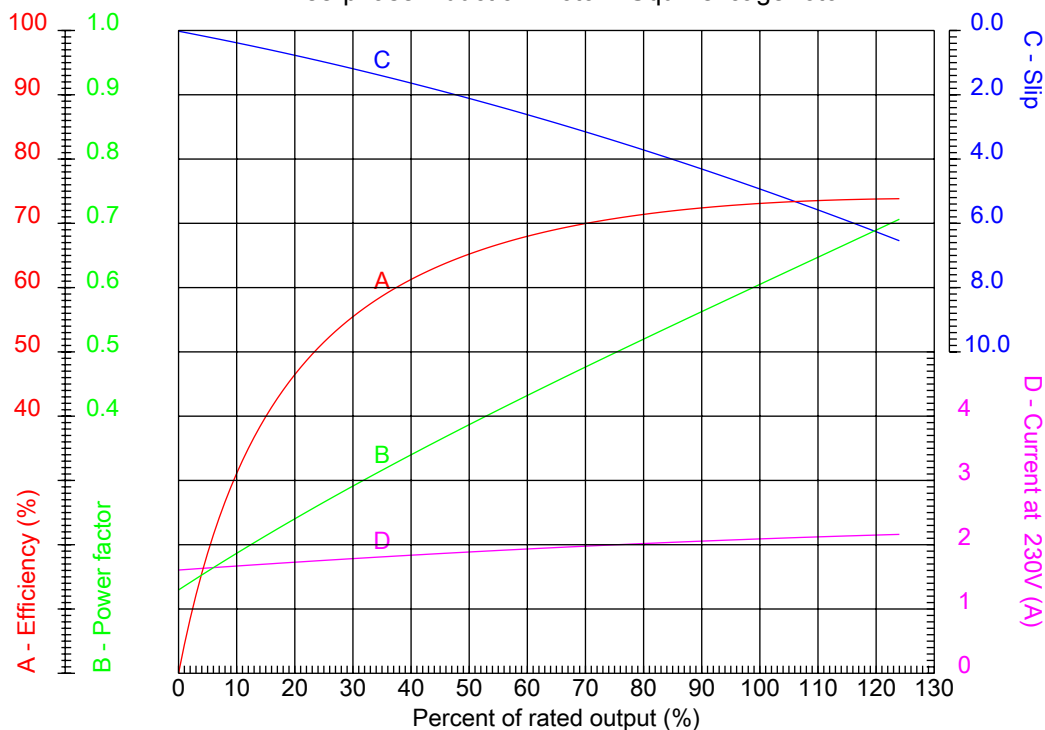
# Dealers Industrial Equipment

No.:

Date: 12-SEP-2016

## PERFORMANCE CURVES RELATED TO RATED OUTPUT

Three-phase induction motor - Squirrel cage rotor



Customer :  
 Product line : Three-Phase : IEC Tru-Metric - TEFC (IP55) - Aluminum Frame

Frame : 71	Locked rotor current (I <sub>L</sub> /I <sub>n</sub> ) : 5.5
Output : 0.5 HP	Duty cycle : S1
Frequency : 60 Hz	Service factor : 1.15
Full load speed : 1710 rpm	Design : ---
Voltage : 230/460 V	Locked rotor torque : 280 %
Rated current : 2.12/1.06 A	Breakdown torque : 290 %
Insulation class : F	

Notes:  
 Downloaded from <http://dealerselectric.com>  
 Generated for Model #.3718EP3EAL71

Performed by

Checked



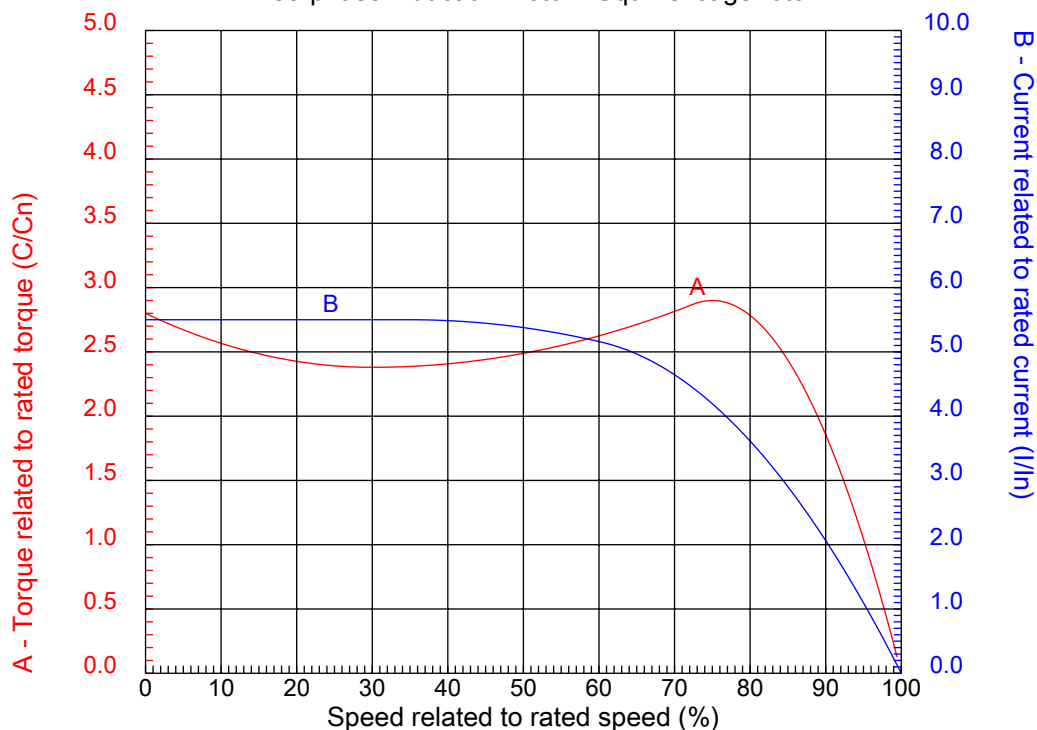
# Dealers Industrial Equipment

No.:

Date: 12-SEP-2016

## CHARACTERISTIC CURVES RELATED TO SPEED

Three-phase induction motor - Squirrel cage rotor



Customer :  
Product line : Three-Phase : IEC Tru-Metric - TEFC (IP55) - Aluminum Frame

Frame	: 71	Locked rotor current (I <sub>l</sub> /I <sub>n</sub> )	: 5.5
Output	: 0.5 HP	Duty cycle	: S1
Frequency	: 60 Hz	Service factor	: 1.15
Full load speed	: 1710 rpm	Design	: ---
Voltage	: 230/460 V	Locked rotor torque	: 280 %
Rated current	: 2.12/1.06 A	Breakdown torque	: 290 %
Insulation class	: F		

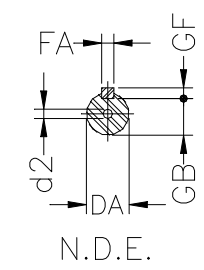
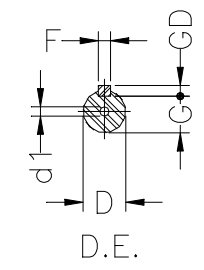
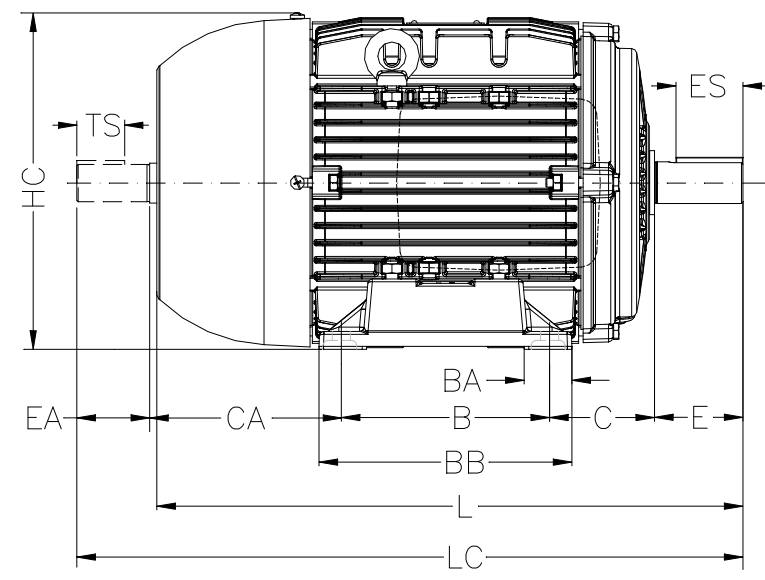
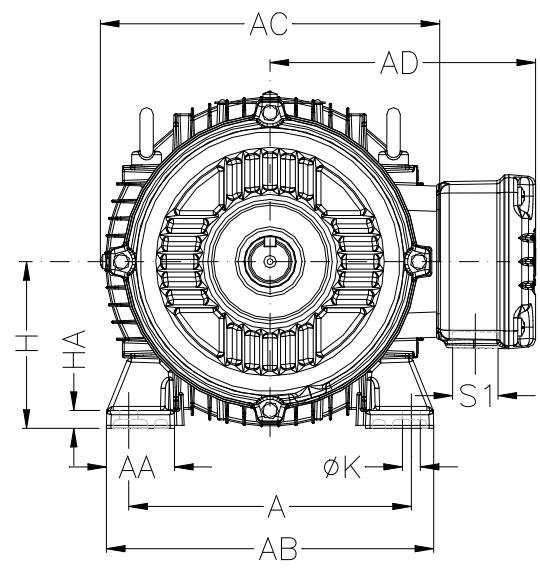
Notes:  
Downloaded from <http://dealerselectric.com>  
Generated for Model #.3718EP3EAL71

Performed by

Checked

1 2 3 4 5 6 7 8

A  
B  
C  
D  
E  
F



Notes: Downloaded from <http://dealerselectric.com>  
Generated for Model #.3718EP3EAL71

A	AA	AB	AC	AD
112	28	134	140	126.5
B	BA	BB	C	CA
90	24.5	108	45	88
D	E	ES	F	G
14j6	30	18	5	11
GD	DA	EA	TS	FA
5	11j6	23	14	4
GB	GF	H	HA	HC
8.5	4	71	6	139
HD	K	L	LC	S1
192	7	248	276	NPT 3/4"
d1	d2			
DM5	EM4			

Performed by:

Checked:

Customer:

Three-Phase : IEC Tru-Metric - TEFC (IP55) - Aluminum Frame

Three-phase induction motor  
Frame 71 - IP55

12-SEP-2016



1 2 3 4 5 6 7 8

A

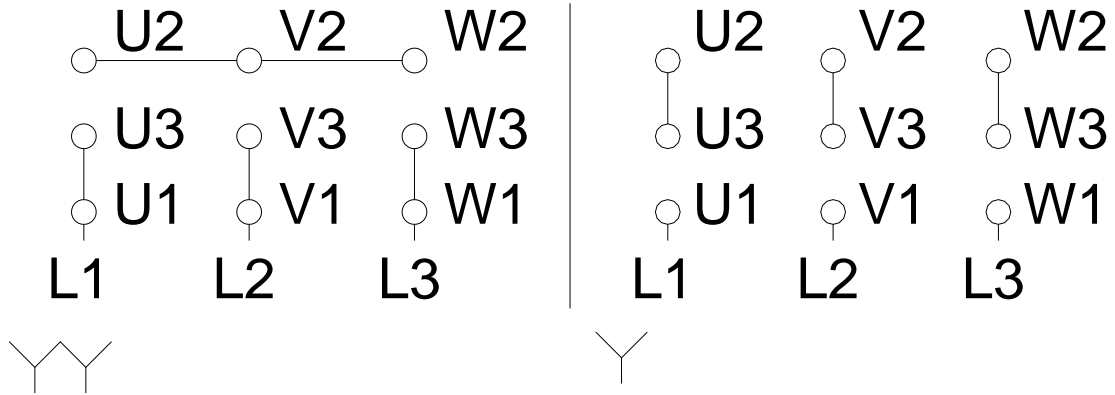
B

C

D

E

F



Notes: Downloaded from <http://dealerselectric.com>  
Generated for Model #.3718EP3EAL71

Performed by:

Checked:

Customer:

Three-Phase : IEC Tru-Metric - TEFC (IP55) - Aluminum Frame

Three-phase induction motor  
Frame 71 - IP55

12-SEP-2016

