



Dealers Industrial Equipment

No.:

Date: 12-SEP-2016

Customer :

TECHNICAL PROPOSAL

Three-phase induction motor - Squirrel cage rotor

Product line : Three-Phase : IEC Tru-Metric - TEFC (IP55) - Aluminum Frame

Catalog Number : .3709EP3WAL90S/L

List Price : \$662

Notes:

Downloaded from <http://dealerselectric.com>

Generated for Model #.3709EP3WAL90S/L

Performed by:

Checked:



Dealers Industrial Equipment

No.:

Date: 12-SEP-2016

DATA SHEET

Three-phase induction motor - Squirrel cage rotor

Customer :
 Product line : Three-Phase : IEC Tru-Metric - TEFC (IP55) - Aluminum Frame

Frame : 90S/L
 Output : 0.5 HP
 Frequency : 60 Hz
 Poles : 8
 Full load speed : 840 rpm
 Slip : 6.67 %
 Voltage : 460 V
 Rated current : 1.35 A
 Locked rotor current : 5.94 A
 Locked rotor current (I_L/I_n) : 4.4
 No-load current : 1.07 A
 Full load torque : 3.08 lb.ft
 Locked rotor torque : 230 %
 Breakdown torque : 250 %
 Design : ---
 Insulation class : F
 Temperature rise : 80 K
 Locked rotor time : 12 s (hot)
 Service factor : 1.15
 Duty cycle : S1
 Ambient temperature : -20°C - +40°C
 Altitude : 1000 m
 Degree of Protection : IP55
 Approximate weight : 33 lb
 Moment of inertia : 0.10631 sq.ft.lb
 Noise level : 47 dB(A)

	D.E.	N.D.E.
Bearings	6205 ZZ	6204 ZZ
Regreasing interval	---	---
Grease amount	---	---

Load	Power factor	Efficiency (%)
100%	0.56	61.5
75%	0.46	62.0
50%	0.36	56.5

Notes:
 Downloaded from <http://dealerselectric.com>
 Generated for Model #.3709EP3WAL90S/L

Performed by

Checked



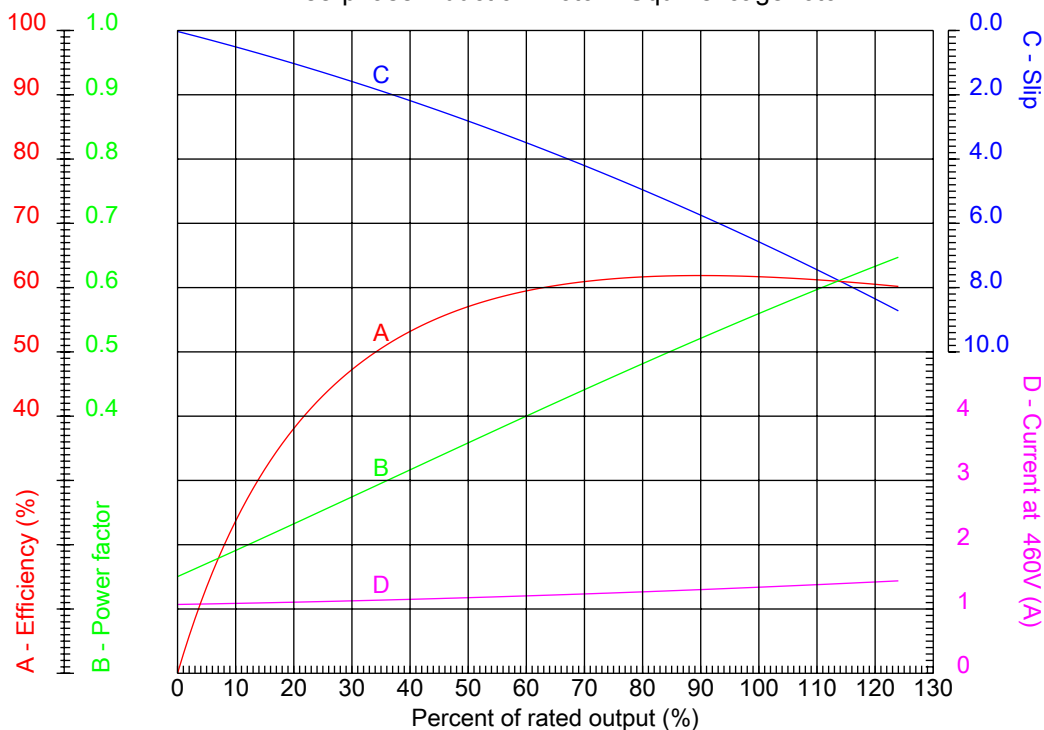
Dealers Industrial Equipment

No.:

Date: 12-SEP-2016

PERFORMANCE CURVES RELATED TO RATED OUTPUT

Three-phase induction motor - Squirrel cage rotor



Customer :
 Product line : Three-Phase : IEC Tru-Metric - TEFC (IP55) - Aluminum Frame

Frame	: 90S/L	Locked rotor current (I _l /I _n)	: 4.4
Output	: 0.5 HP	Duty cycle	: S1
Frequency	: 60 Hz	Service factor	: 1.15
Full load speed	: 840 rpm	Design	: ---
Voltage	: 460 V	Locked rotor torque	: 230 %
Rated current	: 1.35 A	Breakdown torque	: 250 %
Insulation class	: F		

Notes:
 Downloaded from <http://dealerselectric.com>
 Generated for Model #.3709EP3WAL90S/L

Performed by

Checked



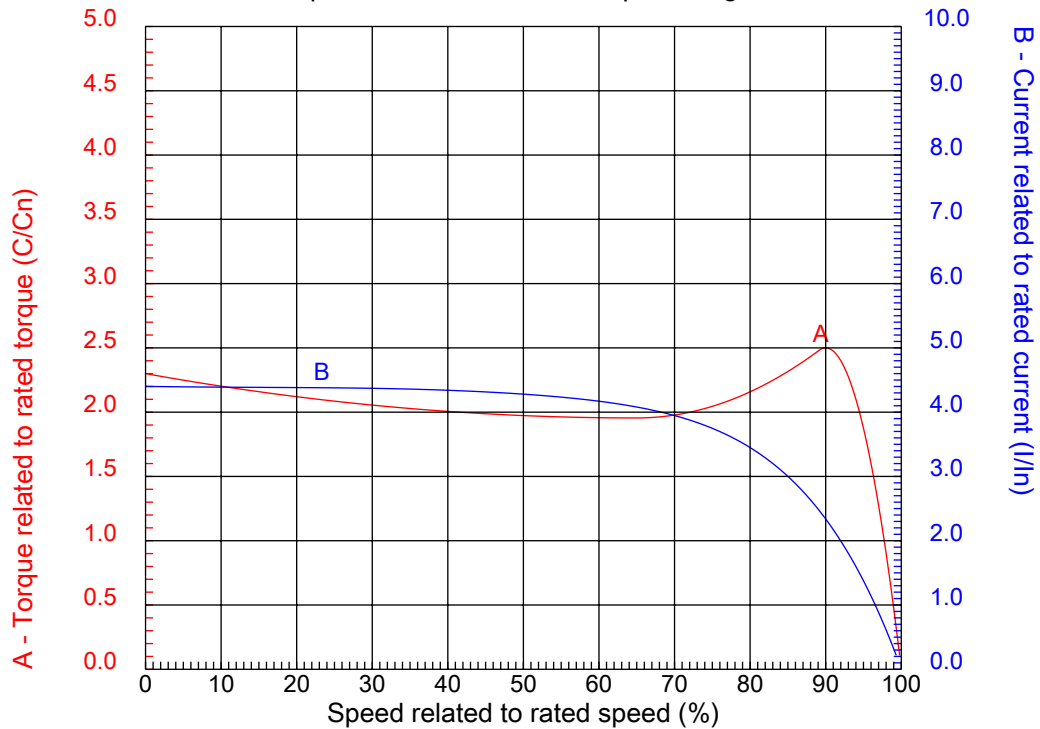
Dealers Industrial Equipment

No.:

Date: 12-SEP-2016

CHARACTERISTIC CURVES RELATED TO SPEED

Three-phase induction motor - Squirrel cage rotor



Customer :
Product line : Three-Phase : IEC Tru-Metric - TEFC (IP55) - Aluminum Frame

Frame	: 90S/L	Locked rotor current (I _l /I _n)	: 4.4
Output	: 0.5 HP	Duty cycle	: S1
Frequency	: 60 Hz	Service factor	: 1.15
Full load speed	: 840 rpm	Design	: ---
Voltage	: 460 V	Locked rotor torque	: 230 %
Rated current	: 1.35 A	Breakdown torque	: 250 %
Insulation class	: F		

Notes:
Downloaded from <http://dealerselectric.com>
Generated for Model #.3709EP3WAL90S/L

Performed by

Checked

1 2 3 4 5 6 7 8

A

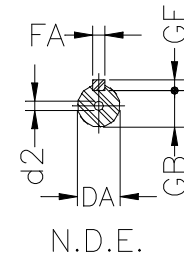
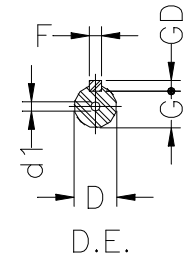
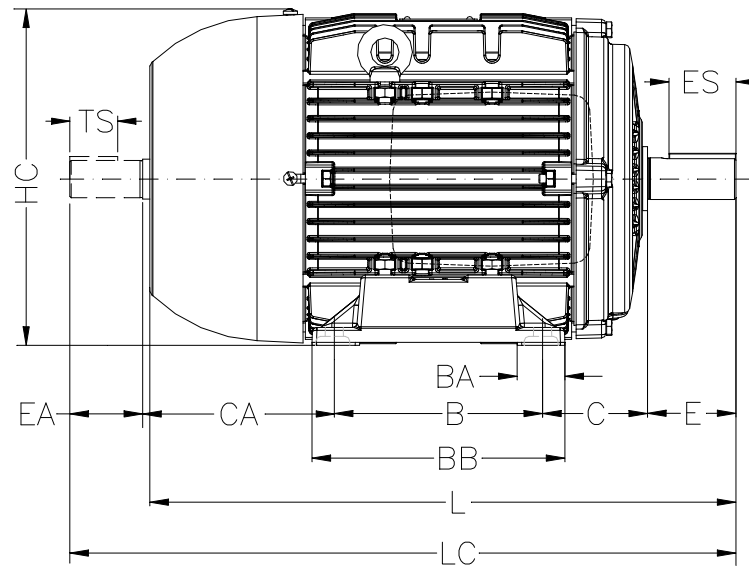
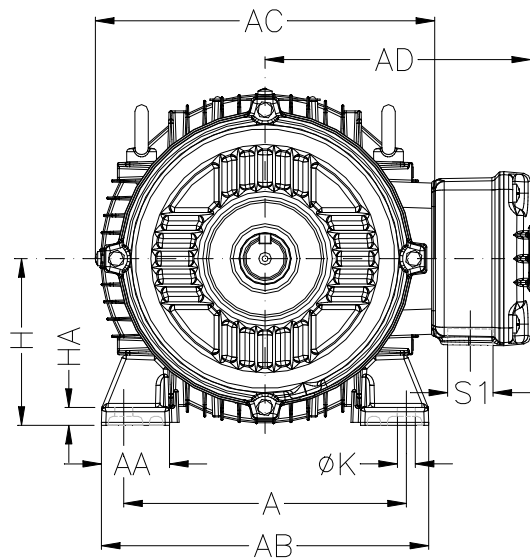
B

C

D

E

F



Notes: Downloaded from <http://dealerselectric.com>
Generated for Model #.3709EP3WAL90S/L

A 140	AA 35	AB 170	AC 179	AD 155
B 100/125	BA 24	BB 146	C 56	D 24j6
E 50	ES 36	F 8	G 20	GD 7
DA 16j6	EA 40	TS 28	FA 5	GB 13
GF 5	H 90	HA 9	HC 177	HD 246
K 10	L 329	LC 375	S1 NPT 3/4"	d1 DM8
d2 DM6				

Performed by:

Checked:

Customer:

Three-Phase : IEC Tru-Metric - TEFC (IP55) - Aluminum Frame

Three-phase induction motor
Frame 90S/L - IP55

12-SEP-2016

