



Dealers Industrial Equipment

No.:

Date: 12-SEP-2016

Customer :

TECHNICAL PROPOSAL

Three-phase induction motor - Squirrel cage rotor

Product line : Three-Phase : NEMA 56 Frames - ODP

Catalog Number : .3336OS3EA56

List Price : \$208

Notes:

Downloaded from <http://dealerselectric.com>

Generated for Model #.3336OS3EA56

Performed by:

Checked:



Dealers Industrial Equipment

No.:

Date: 12-SEP-2016

DATA SHEET Three-phase induction motor - Squirrel cage rotor

Customer :
Product line : Three-Phase : NEMA 56 Frames - ODP

Frame : A56
Output : 0.33 HP
Frequency : 60 Hz
Poles : 2
Full load speed : 3500 rpm
Slip : 2.78 %
Voltage : 208-230/460 V
Rated current : 1.40/0.698 A
Locked rotor current : 7.96/3.98 A
Locked rotor current (I_L/I_n) : 5.7
No-load current : 1.10/0.550 A
Full load torque : 0.488 lb.ft
Locked rotor torque : 260 %
Breakdown torque : 320 %
Design : A
Insulation class : B
Temperature rise : 80 K
Locked rotor time : 15 s (hot)
Service factor : 1.35 (1.00 at 208V)
Duty cycle : S1
Ambient temperature : -20°C - +40°C
Altitude : 1000 m
Degree of Protection : IP21
Approximate weight : 18 lb
Moment of inertia : 0.01661 sq.ft.lb
Noise level : ---

	D.E.	N.D.E.
Bearings	6204 ZZ	6203 ZZ
Regreasing interval	---	---
Grease amount	---	---

Load	Power factor	Efficiency (%)
100%	0.72	63.0
75%	0.64	57.0
50%	0.54	48.0

Notes:
Downloaded from <http://dealerselectric.com>
Generated for Model #.3336OS3EA56

Performed by

Checked



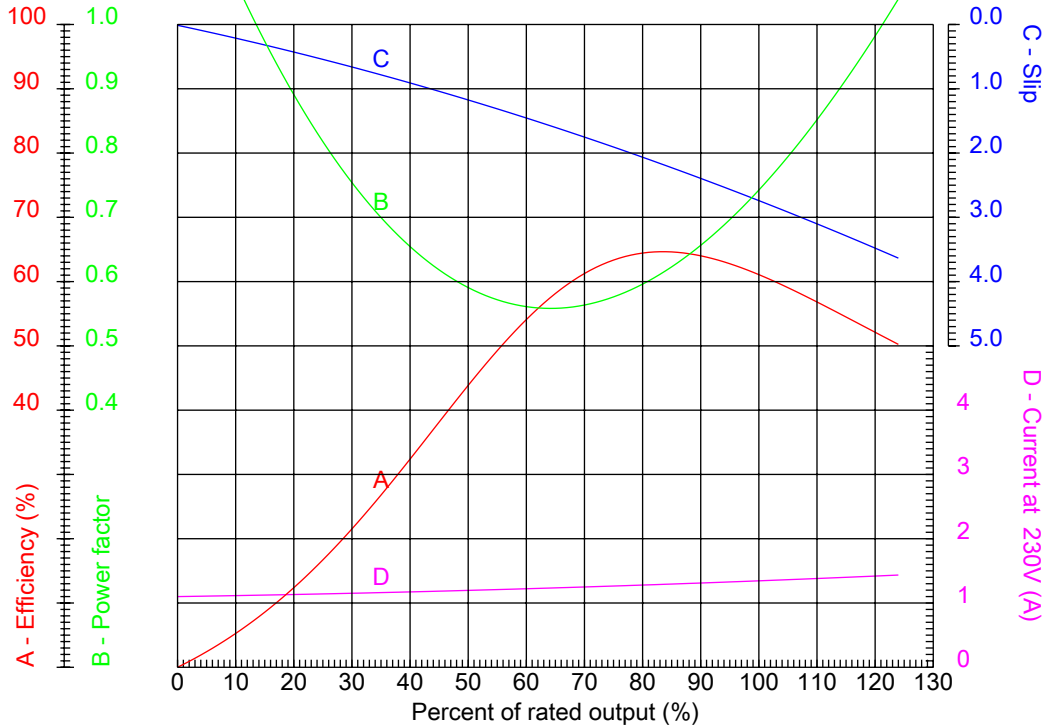
Dealers Industrial Equipment

No.:

Date: 12-SEP-2016

PERFORMANCE CURVES RELATED TO RATED OUTPUT

Three-phase induction motor - Squirrel cage rotor



Customer :
 Product line : Three-Phase : NEMA 56 Frames - ODP

Frame	: A56	Locked rotor current (I _l /I _n)	: 5.7
Output	: 0.33 HP	Duty cycle	: S1
Frequency	: 60 Hz	Service factor	: 1.35 (1.00 at 208V)
Full load speed	: 3500 rpm	Design	: A
Voltage	: 208-230/460 V	Locked rotor torque	: 260 %
Rated current	: 1.40/0.698 A	Breakdown torque	: 320 %
Insulation class	: B		

Notes:
 Downloaded from <http://dealerselectric.com>
 Generated for Model #.3336OS3EA56

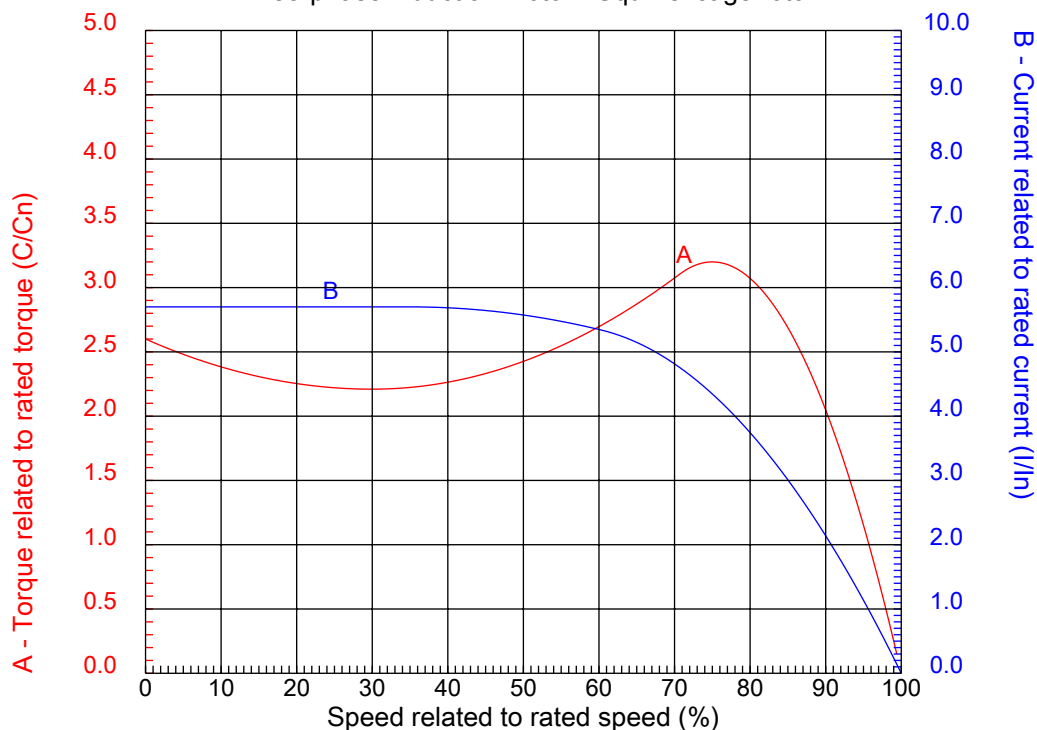
Performed by

Checked



CHARACTERISTIC CURVES RELATED TO SPEED

Three-phase induction motor - Squirrel cage rotor



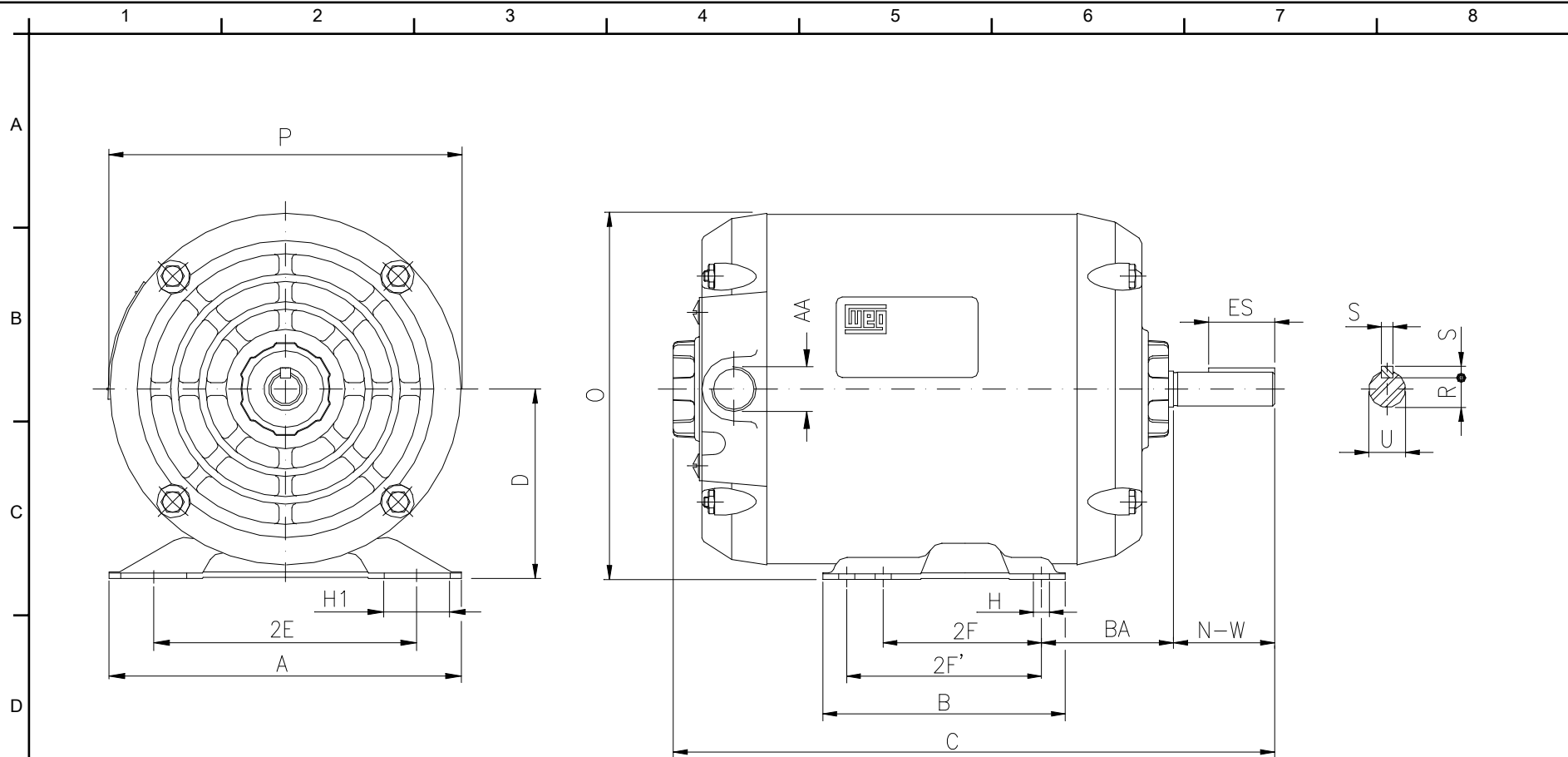
Customer :
Product line : Three-Phase : NEMA 56 Frames - ODP

Frame	: A56	Locked rotor current (I/I _n)	: 5.7
Output	: 0.33 HP	Duty cycle	: S1
Frequency	: 60 Hz	Service factor	: 1.35 (1.00 at 208V)
Full load speed	: 3500 rpm	Design	: A
Voltage	: 208-230/460 V	Locked rotor torque	: 260 %
Rated current	: 1.40/0.698 A	Breakdown torque	: 320 %
Insulation class	: B		

Notes:
Downloaded from <http://dealerselectric.com>
Generated for Model #.3336OS3EA56

Performed by

Checked



Notes: Downloaded from <http://dealerselectric.com>
 Generated for Model #.3336OS3EA56

Performed by:

Checked:

Customer:

Three-Phase : NEMA 56 Frames - ODP

2E	H	A	2F	B
4.874	0.342	6.535	3.000	6.496
G	BA	J	P	ES
3.04	2.750	1.220	6.496	1.102
S	N-W	depth	U	R
0.187	1.874	0.187	0.6250	0.517
D	O	C	AA	
3.500	6.771	10.315	NPT 1/2"	

Three-phase induction motor
 Frame A56 - IP21

12-SEP-2016



1 2 3 4 5 6 7 8

A

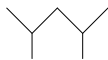
LOW VOLTAGE

HIGH VOLTAGE

B



C



D

E

F

Notes: Downloaded from <http://dealerselectric.com>
 Generated for Model #.3336OS3EA56

Performed by:

Checked:

Customer:

Three-Phase : NEMA 56 Frames - ODP

Three-phase induction motor
 Frame A56 - IP21

12-SEP-2016

