



# Dealers Industrial Equipment

No.:

Date: 12-SEP-2016

Customer :

## TECHNICAL PROPOSAL

### Single-phase induction motor - Squirrel cage rotor

Product line : Jet Pump - NEMA 56 : Single-Phase - Threaded - ODP (IP21)

Catalog Number : .3336OS1BJP56J

List Price : \$254

#### Notes:

Downloaded from <http://dealerselectric.com>

Generated for Model #.3336OS1BJP56J

Performed by:

Checked:



# Dealers Industrial Equipment

No.:

Date: 12-SEP-2016

## DATA SHEET Single-phase induction motor - Squirrel cage rotor

Customer :  
 Product line : Jet Pump - NEMA 56 : Single-Phase - Threaded - ODP (IP21)

Frame : W56  
 Output : 0.33 HP  
 Frequency : 60 Hz  
 Poles : 2  
 Full load speed : 3470 rpm  
 Slip : 3.61 %  
 Voltage : 115/208-230 V  
 Rated current : 5.80/2.60-2.90 A  
 Locked rotor current : 32.5/16.2 A  
 Locked rotor current (I<sub>L</sub>/I<sub>n</sub>) : 5.6  
 No-load current : 4.40/2.20 A  
 Full load torque : 0.493 lb.ft  
 Locked rotor torque : 340 %  
 Breakdown torque : 300 %  
 Design : ---  
 Insulation class : B  
 Temperature rise : 80 K  
 Locked rotor time : 6 s (hot)  
 Service factor : 1.75 (1.00 at 208V)  
 Duty cycle : S1  
 Ambient temperature : -20°C - +40°C  
 Altitude : 1000 m  
 Degree of Protection : IP21  
 Approximate weight : 22 lb  
 Moment of inertia : 0.01898 sq.ft.lb  
 Noise level : ---

|                     | D.E.     | N.D.E.   |
|---------------------|----------|----------|
| Bearings            | 6203 2RS | 6202 2RS |
| Regreasing interval | ---      | ---      |
| Grease amount       | ---      | ---      |

| Load | Power factor | Efficiency (%) |
|------|--------------|----------------|
| 100% | 0.66         | 58.0           |
| 75%  | 0.60         | 54.0           |
| 50%  | 0.52         | 46.0           |

Notes:  
 Downloaded from <http://dealerselectric.com>  
 Generated for Model #.3336OS1BJP56J

Performed by

Checked

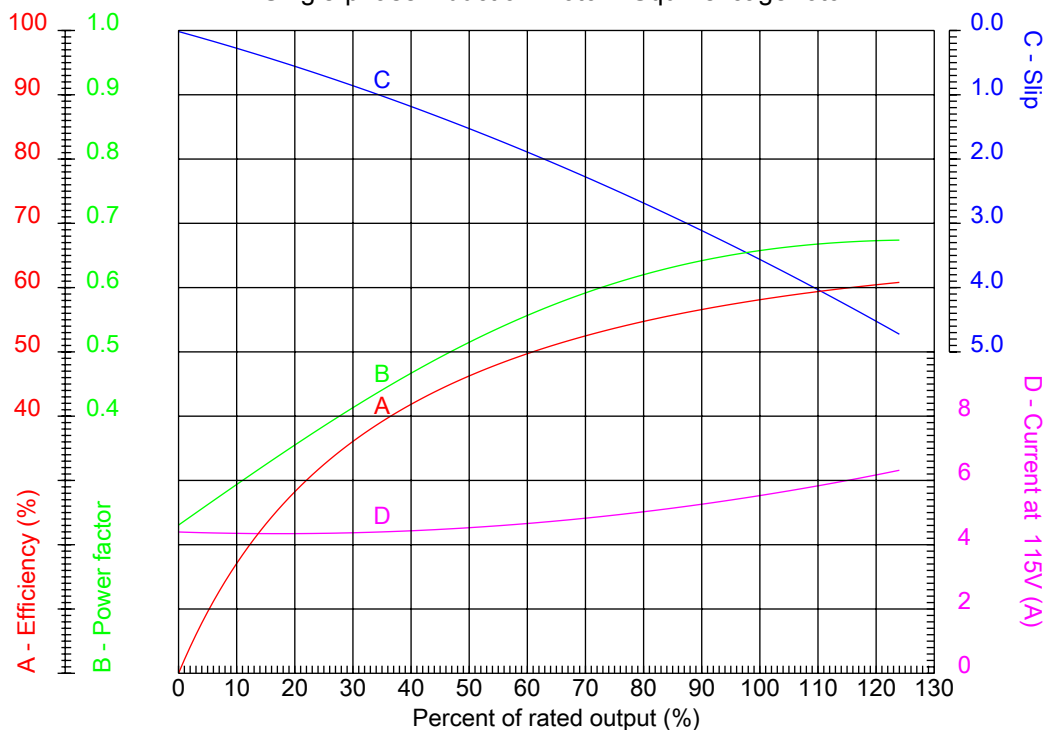


# Dealers Industrial Equipment

No.:

Date: 12-SEP-2016

## PERFORMANCE CURVES RELATED TO RATED OUTPUT Single-phase induction motor - Squirrel cage rotor



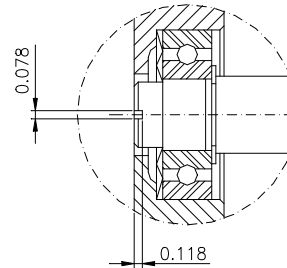
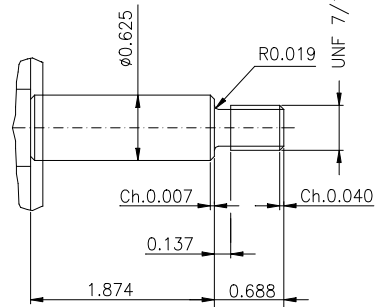
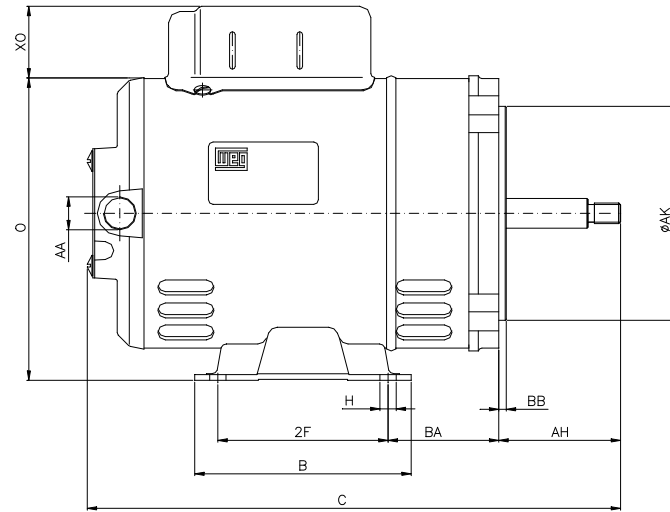
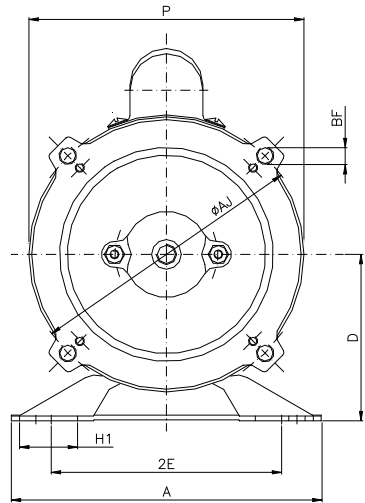
Customer :  
Product line : Jet Pump - NEMA 56 : Single-Phase - Threaded - ODP (IP21)

|                  |                    |  |                       |
|------------------|--------------------|--|-----------------------|
| Frame            | : W56              | Locked rotor current (I <sub>l</sub> /I <sub>n</sub> ) | : 5.6                 |
| Output           | : 0.33 HP          | Duty cycle   | : S1                  |
| Frequency        | : 60 Hz            | Service factor   | : 1.75 (1.00 at 208V) |
| Full load speed  | : 3470 rpm         | Design   | : ---                 |
| Voltage          | : 115/208-230 V    | Locked rotor torque                                    | : 340 %               |
| Rated current    | : 5.80/2.60-2.90 A | Breakdown torque                                       | : 300 %               |
| Insulation class | : B                |  |                       |

Notes:  
Downloaded from <http://dealerselectric.com>  
Generated for Model #.3336OS1BJP56J

Performed by

Checked



DETAIL X

Notes: Downloaded from <http://dealerselectric.com>  
Generated for Model #.3336OS1BJP56J

Performed by:

Checked:

Customer:

Jet Pump - NEMA 56 : Single-Phase - Threaded - ODP (IP21)

|                     |                  |              |             |                |
|---------------------|------------------|--------------|-------------|----------------|
| 2E<br>4.874         | 2F<br>3.000      | A<br>6.535   | B<br>4.016  | P<br>5.787     |
| D<br>3.500          | C<br>12.362      | N-W<br>1.874 | U<br>0.625  | AA<br>NPT 1/2" |
| d1<br>D UNF 1/4"-28 | Flange<br>FC-149 | AJ<br>5.874  | AK<br>4.500 | BD<br>5.748    |
| BF<br>UNC 3/8"x16   | BB<br>0.157      | AH<br>2.563  |             |                |

Single-phase induction motor  
Frame W56 - IP21

12-SEP-2016

