



Dealers Industrial Equipment

No.:

Date: 12-SEP-2016

Customer :

TECHNICAL PROPOSAL

## Single-phase induction motor - Squirrel cage rotor

Product line : Single-Phase : NEMA 48 & 56 ODP - Start Capacitor

Catalog Number : .3336OS1BC56

List Price : \$222

Notes:

Downloaded from <http://dealerselectric.com>

Generated for Model #.3336OS1BC56

Performed by:

Checked:



# Dealers Industrial Equipment

No.:

Date: 12-SEP-2016

## DATA SHEET Single-phase induction motor - Squirrel cage rotor

Customer :  
Product line : Single-Phase : NEMA 48 & 56 ODP - Start Capacitor

Frame : C56  
Output : 0.33 HP  
Frequency : 60 Hz  
Poles : 2  
Full load speed : 3480 rpm  
Slip : 3.33 %  
Voltage : 115/208-230 V  
Rated current : 5.70/2.60-2.85 A  
Locked rotor current : 33.6/16.8 A  
Locked rotor current (I<sub>L</sub>/I<sub>n</sub>) : 5.9  
No-load current : 4.20/2.10 A  
Full load torque : 0.491 lb.ft  
Locked rotor torque : 380 %  
Breakdown torque : 300 %  
Design : ---  
Insulation class : B  
Temperature rise : 80 K  
Locked rotor time : 6 s (hot)  
Service factor : 1.35 (1.00 at 208V)  
Duty cycle : S1  
Ambient temperature : -20°C - +40°C  
Altitude : 1000 m  
Degree of Protection : IP21  
Approximate weight : 21 lb  
Moment of inertia : 0.01898 sq.ft.lb  
Noise level : ---

	D.E.	N.D.E.	Load	Power factor	Efficiency (%)
Bearings	6203 ZZ	6202 ZZ	100%	0.65	57.6
Regreasing interval	---	---	75%	0.59	54.1
Grease amount	---	---	50%	0.49	46.5

Notes:  
Downloaded from <http://dealerselectric.com>  
Generated for Model #.3336OS1BC56

Performed by

Checked

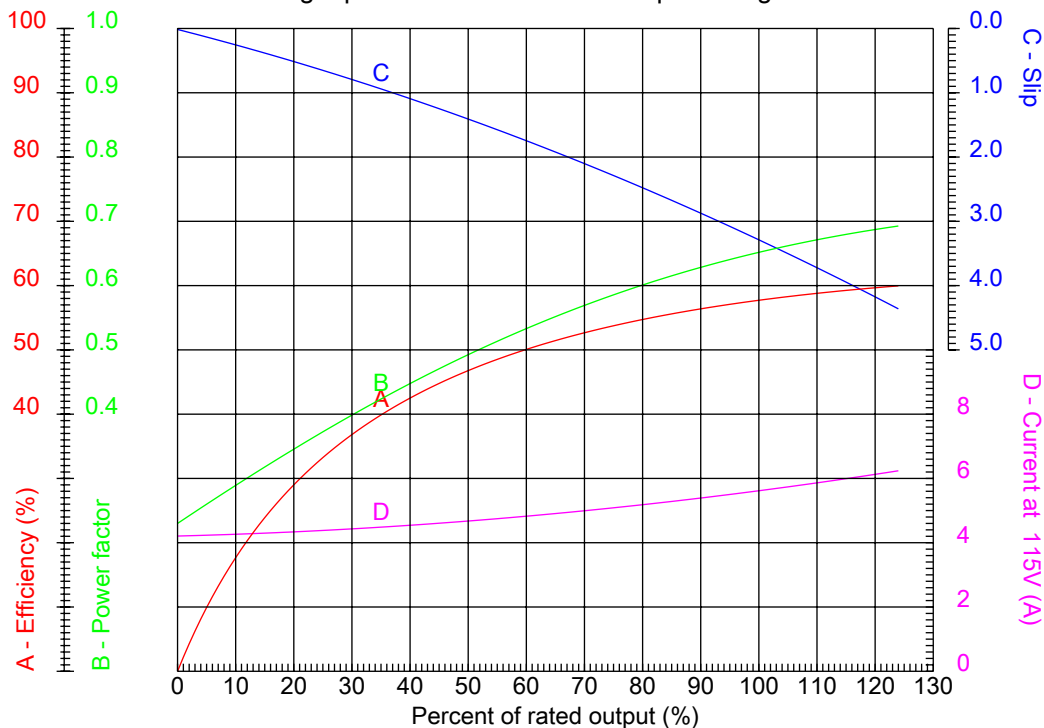


# Dealers Industrial Equipment

No.:

Date: 12-SEP-2016

## PERFORMANCE CURVES RELATED TO RATED OUTPUT Single-phase induction motor - Squirrel cage rotor



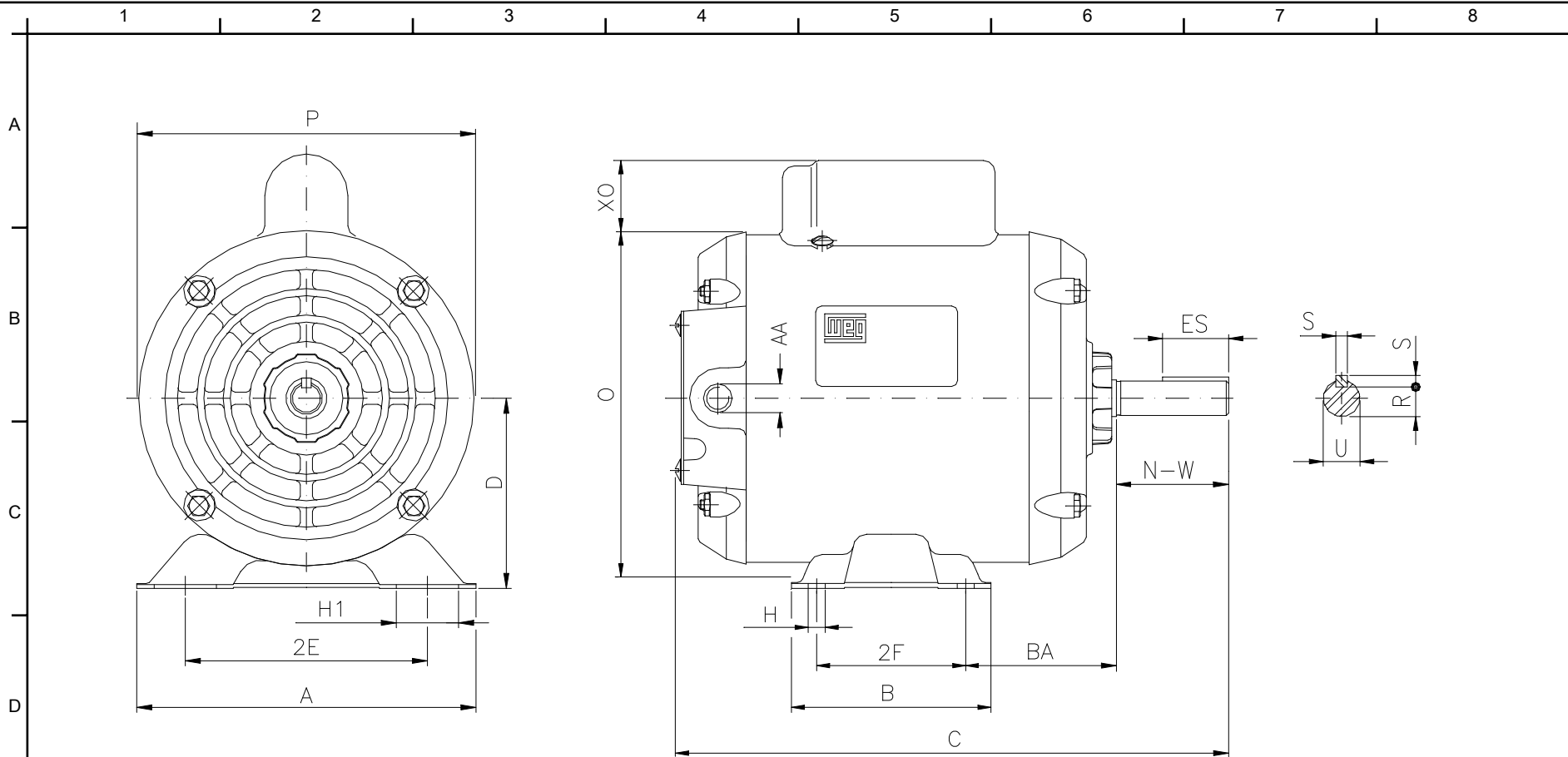
Customer :  
 Product line : Single-Phase : NEMA 48 & 56 ODP - Start Capacitor

Frame	: C56	Locked rotor current (I <sub>l</sub> /I <sub>n</sub> )	: 5.9
Output	: 0.33 HP	Duty cycle	: S1
Frequency	: 60 Hz	Service factor	: 1.35 (1.00 at 208V)
Full load speed	: 3480 rpm	Design	: ---
Voltage	: 115/208-230 V	Locked rotor torque	: 380 %
Rated current	: 5.70/2.60-2.85 A	Breakdown torque	: 300 %
Insulation class	: B		

Notes:  
 Downloaded from <http://dealerselectric.com>  
 Generated for Model #.3336OS1BC56

Performed by

Checked



Notes: Downloaded from <http://dealerselectric.com>  
 Generated for Model #.3336OS1BC56

Performed by:

Checked:

Customer:

Single-Phase : NEMA 48 & 56 ODP - Start Capacitor

2E 4.874	2F 3.000	H 0.342	H1 31	BA 2.750
A 6.535	B 4.016	C 10.551	D 3.500	O 6.378
XO 0.000	P 5.709	ES 1.102	S 0.187	N-W 1.874
U 0.6250	R 0.517	AA NPT 1/2"	AH 2.063	

Single-phase induction motor  
 Frame C56 - IP21

12-SEP-2016

