



Dealers Industrial Equipment

No.:

Date: 12-SEP-2016

Customer :

TECHNICAL PROPOSAL

Three-phase induction motor - Squirrel cage rotor

Product line : Jet Pump - NEMA 56 : Three-Phase - Threaded - TEFC (IP55)

Catalog Number : .3336ES3EJPR56J

List Price : \$268

Notes:

Downloaded from <http://dealerselectric.com>

Generated for Model #.3336ES3EJPR56J

Performed by:

Checked:



Dealers Industrial Equipment

No.:

Date: 12-SEP-2016

DATA SHEET Three-phase induction motor - Squirrel cage rotor

Customer :
 Product line : Jet Pump - NEMA 56 : Three-Phase - Threaded - TEFC (IP55)

Frame : B56J
 Output : 0.33 HP
 Frequency : 60 Hz
 Poles : 2
 Full load speed : 3465 rpm
 Slip : 3.75 %
 Voltage : 208-230/460 V
 Rated current : 1.22-1.20/0.600 A
 Locked rotor current : 9.60/4.80 A
 Locked rotor current (I_L/I_n) : 8.0
 No-load current : 0.780/0.390 A
 Full load torque : 0.493 lb.ft
 Locked rotor torque : 500 %
 Breakdown torque : 400 %
 Design : A
 Insulation class : F
 Temperature rise : 80 K
 Locked rotor time : 15 s (hot)
 Service factor : 1.15 (1.00 at 208V)
 Duty cycle : S1
 Ambient temperature : -20°C - +40°C
 Altitude : 1000 m
 Degree of Protection : IP55
 Approximate weight : 21 lb
 Moment of inertia : 0.02373 sq.ft.lb
 Noise level : ---

| | D.E. | N.D.E. |
|---------------------|----------|----------|
| Bearings | 6203 2RS | 6202 2RS |
| Regreasing interval | --- | --- |
| Grease amount | --- | --- |

| Load | Power factor | Efficiency (%) |
|------|--------------|----------------|
| 100% | 0.78 | 66.0 |
| 75% | 0.71 | 61.0 |
| 50% | 0.61 | 52.5 |

Notes:
 Downloaded from <http://dealerselectric.com>
 Generated for Model #.3336ES3EJPR56J

Performed by

Checked



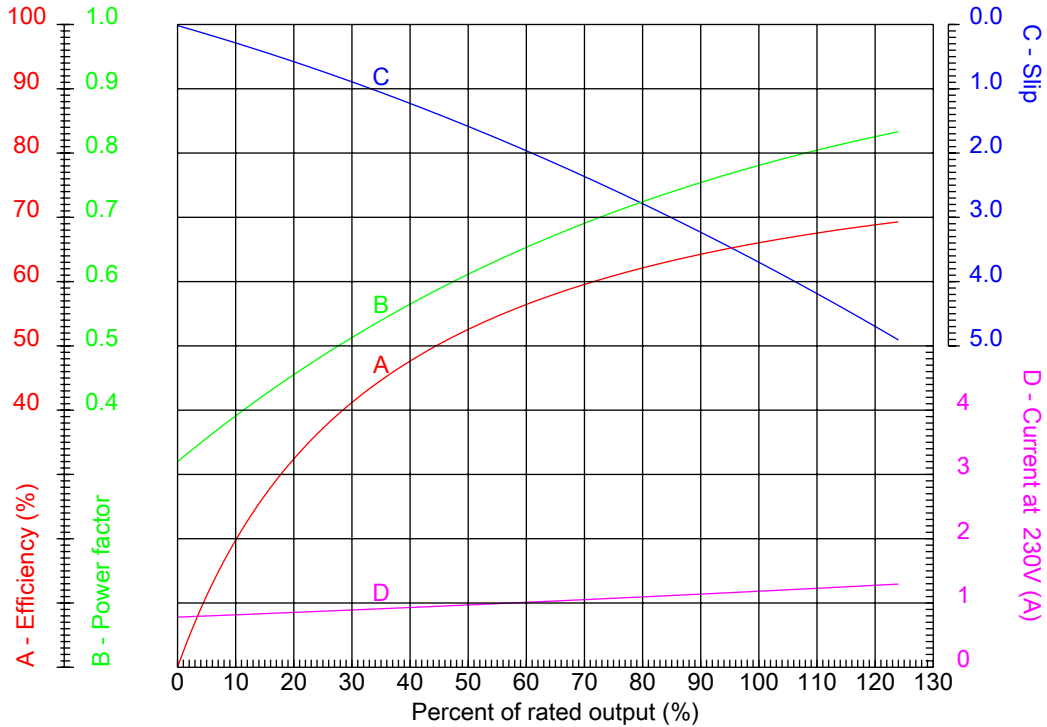
Dealers Industrial Equipment

No.:

Date: 12-SEP-2016

PERFORMANCE CURVES RELATED TO RATED OUTPUT

Three-phase induction motor - Squirrel cage rotor



Customer :
 Product line : Jet Pump - NEMA 56 : Three-Phase - Threaded - TEFC (IP55)

| | | | |
|------------------|---------------------|--|-----------------------|
| Frame | : B56J | Locked rotor current (I _l /I _n) | : 8.0 |
| Output | : 0.33 HP | Duty cycle | : S1 |
| Frequency | : 60 Hz | Service factor | : 1.15 (1.00 at 208V) |
| Full load speed | : 3465 rpm | Design | : A |
| Voltage | : 208-230/460 V | Locked rotor torque | : 500 % |
| Rated current | : 1.22-1.20/0.600 A | Breakdown torque | : 400 % |
| Insulation class | : F | | |

Notes:
 Downloaded from <http://dealerselectric.com>
 Generated for Model #.3336ES3EJPR56J

Performed by

Checked



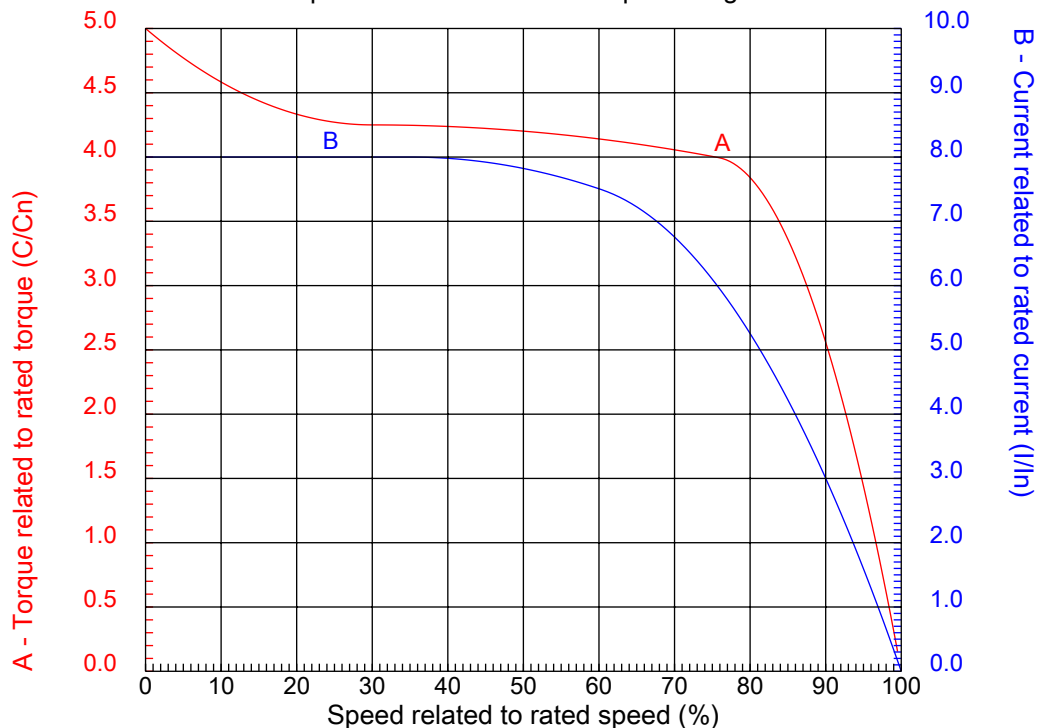
Dealers Industrial Equipment

No.:

Date: 12-SEP-2016

CHARACTERISTIC CURVES RELATED TO SPEED

Three-phase induction motor - Squirrel cage rotor



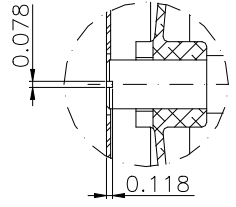
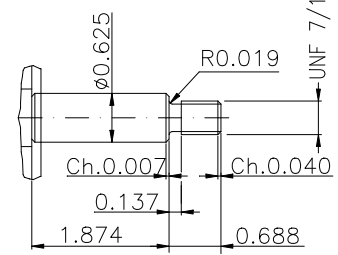
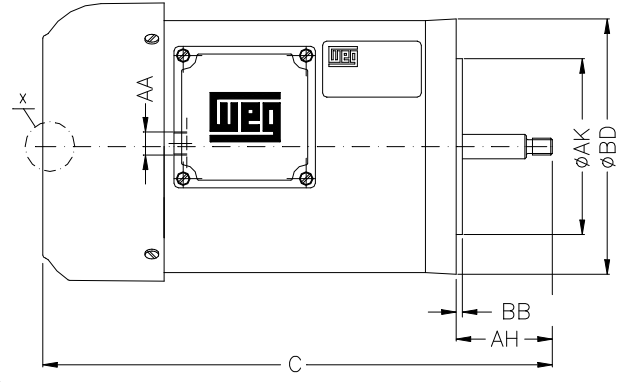
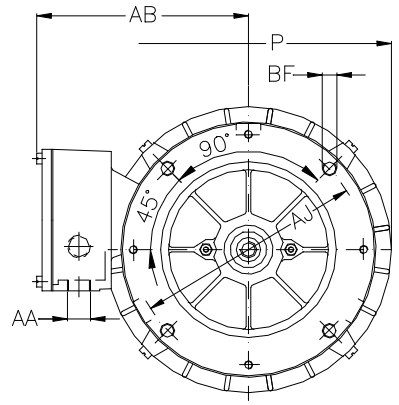
Customer :
Product line : Jet Pump - NEMA 56 : Three-Phase - Threaded - TEFC (IP55)

| | | | |
|------------------|---------------------|--|-----------------------|
| Frame | : B56J | Locked rotor current (I _l /I _n) | : 8.0 |
| Output | : 0.33 HP | Duty cycle | : S1 |
| Frequency | : 60 Hz | Service factor | : 1.15 (1.00 at 208V) |
| Full load speed | : 3465 rpm | Design | : A |
| Voltage | : 208-230/460 V | Locked rotor torque | : 500 % |
| Rated current | : 1.22-1.20/0.600 A | Breakdown torque | : 400 % |
| Insulation class | : F | | |

Notes:
Downloaded from <http://dealerselectric.com>
Generated for Model #.3336ES3EJPR56J

Performed by

Checked



THREE-PHASE, FORM J, WITH INTERNAL
 THREAD OF 1/4"x28 UNF AT SHAFT-END,
 FOR CLAMPING THE PUMP ROTOR.

DETAIL X

Notes: Downloaded from <http://dealerselectric.com>
 Generated for Model #.3336ES3EJPR56J

Performed by:

Checked:

Customer:

Jet Pump - NEMA 56 : Three-Phase - Threaded - TEFC (IP55)

| | | | | |
|--------|-------|--------|-------|----------------|
| P | N-W | U | AB | AA |
| 7.323 | 1.874 | 0.6250 | 5.433 | NPT 1/2" |
| Flange | AJ | AK | BD | BF |
| FC-149 | 5.874 | 4.500 | 6.535 | UNC 3/8"x16-2B |
| BB | BC | AH | | |
| 0.157 | --- | 2.563 | | |

Three-phase induction motor
 Frame B56J - IP55

12-SEP-2016



1 2 3 4 5 6 7 8

A

LOW VOLTAGE

HIGH VOLTAGE

B



C



D

E

F

| | | |
|--|-------------|--|
| Notes: Downloaded from http://dealerselectric.com Generated for Model #.3336ES3EJPR56J | | |
| Performed by: | | |
| Checked: | | |
| Customer: | | |
| Jet Pump - NEMA 56 : Three-Phase - Threaded - TEFC (IP55) | | |
| Three-phase induction motor Frame B56J - IP55 | 12-SEP-2016 | |