



Dealers Industrial Equipment

No.:

Date: 12-SEP-2016

Customer :

TECHNICAL PROPOSAL

Single-phase induction motor - Squirrel cage rotor

Product line : Single Phase: W01 (Rolled Steel) - TEFC - Standard Efficiency

Catalog Number : .3336ES1BW56-S

List Price : \$267

Notes:

Downloaded from <http://dealerselectric.com>

Generated for Model #.3336ES1BW56-S

Performed by:

Checked:



Dealers Industrial Equipment

No.:

Date: 12-SEP-2016

DATA SHEET Single-phase induction motor - Squirrel cage rotor

Customer :
 Product line : Single Phase: W01 (Rolled Steel) - TEFC - Standard Efficiency

Frame : W56
 Output : 0.33 HP
 Frequency : 60 Hz
 Poles : 2
 Full load speed : 3490 rpm
 Slip : 3.06 %
 Voltage : 115/208-230 V
 Rated current : 5.20/2.87-2.60 A
 Locked rotor current : 36.4/18.2 A
 Locked rotor current (I_L/I_n) : 7.0
 No-load current : 3.80/1.90 A
 Full load torque : 0.490 lb.ft
 Locked rotor torque : 290 %
 Breakdown torque : 290 %
 Design : ---
 Insulation class : F
 Temperature rise : 80 K
 Locked rotor time : 8 s (hot)
 Service factor : 1.15 (1.00 at 208V)
 Duty cycle : S1
 Ambient temperature : -20°C - +40°C
 Altitude : 1000 m
 Degree of Protection : IP55
 Approximate weight : 19 lb
 Moment of inertia : 0.01898 sq.ft.lb
 Noise level : 66 dB(A)

	D.E.	N.D.E.
Bearings	6203 ZZ	6202 ZZ
Regreasing interval	---	---
Grease amount	---	---

Load	Power factor	Efficiency (%)
100%	0.76	54.0
75%	0.69	50.0
50%	0.61	42.0

Notes:
 Downloaded from <http://dealerselectric.com>
 Generated for Model #.3336ES1BW56-S

Performed by

Checked



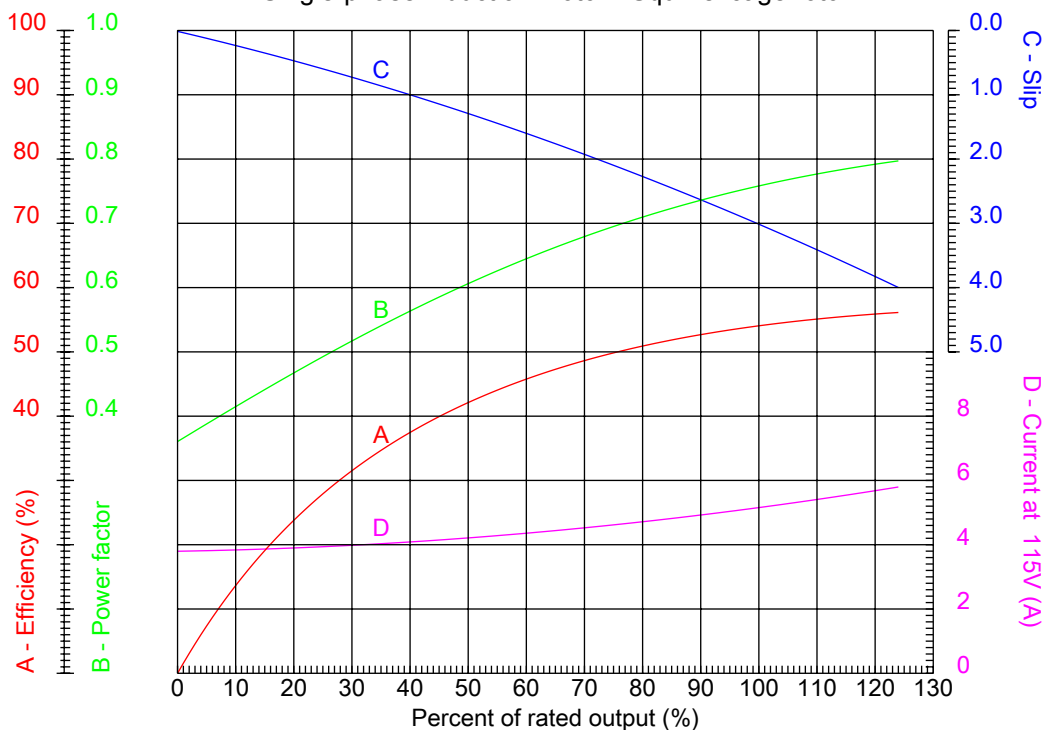
Dealers Industrial Equipment

No.:

Date: 12-SEP-2016

PERFORMANCE CURVES RELATED TO RATED OUTPUT

Single-phase induction motor - Squirrel cage rotor



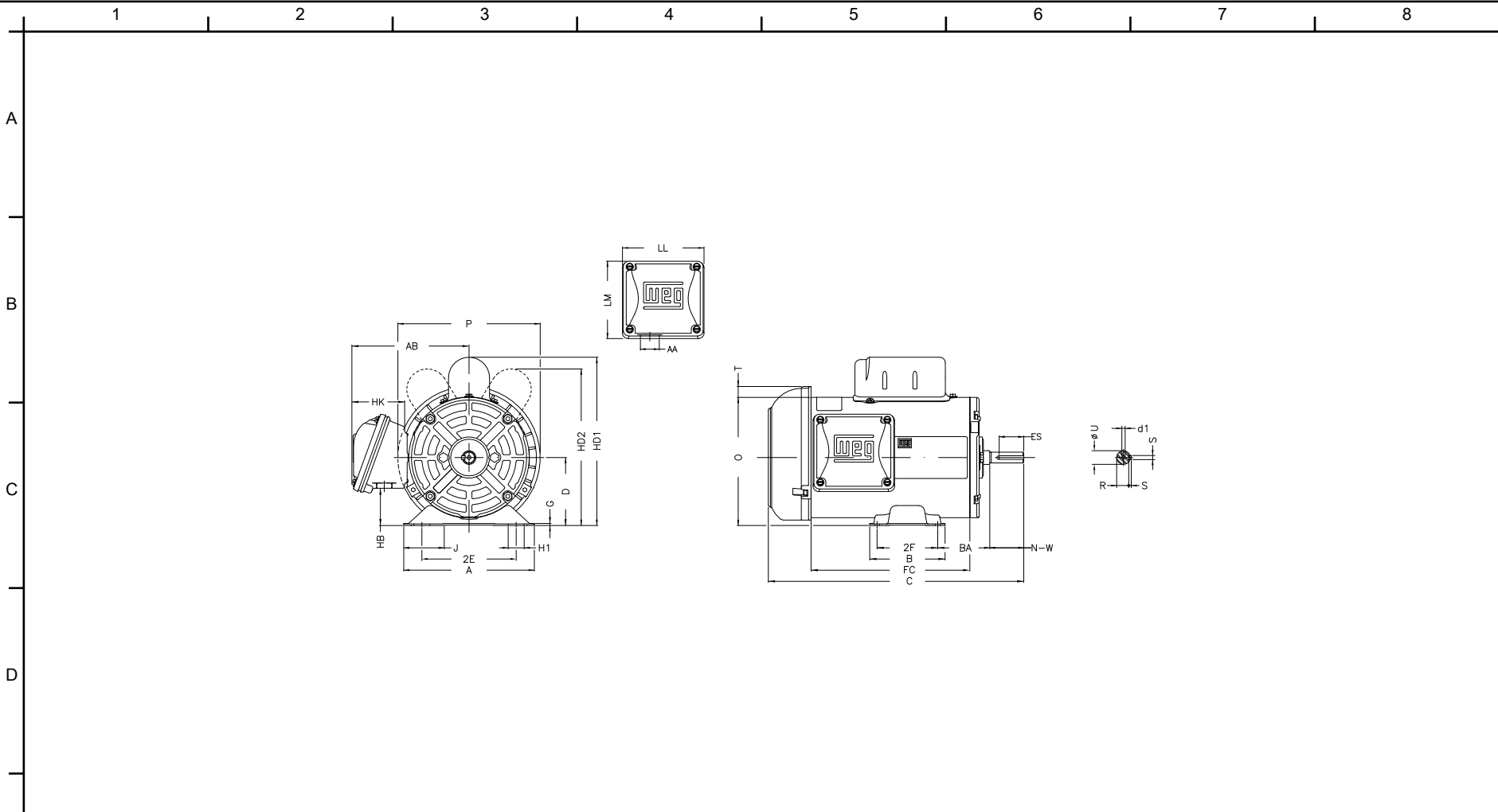
Customer :
 Product line : Single Phase: W01 (Rolled Steel) - TEFC - Standard Efficiency

Frame	: W56	Locked rotor current (I _l /I _n)	: 7.0
Output	: 0.33 HP	Duty cycle	: S1
Frequency	: 60 Hz	Service factor	: 1.15 (1.00 at 208V)
Full load speed	: 3490 rpm	Design	: ---
Voltage	: 115/208-230 V	Locked rotor torque	: 290 %
Rated current	: 5.20/2.87-2.60 A	Breakdown torque	: 290 %
Insulation class	: F		

Notes:
 Downloaded from <http://dealerselectric.com>
 Generated for Model #.3336ES1BW56-S

Performed by

Checked



Notes: Downloaded from <http://dealerselectric.com>
 Generated for Model #.3336ES1BW56-S

P	AB	J	2E	A
6.693	5.520	1.620	4.874	6.535
H	G	HB	HK	XO
0.343	0.075	2.055	2.650	0.524
O	FC	2F	B	C
6.330	6.299	3.000	4.016	11.106
BA	N-W	ES	d1	S
2.750	1.874	1.417	A 3.15	0.187
U	AA	depth	R	LL
0.625	0.881"	0.187	0.517	3.835
LM	BB	D	CH	HD'
3.697	0.524	3.500	1.417	8.189
HC1				
4.717				

Performed by:	
Checked:	
Customer:	
Single Phase: W01 (Rolled Steel) - TEFC - Standard Efficiency	
Single-phase induction motor Frame W56 - IP55	12-SEP-2016

