



Dealers Industrial Equipment

No.:

Date: 12-SEP-2016

Customer :

TECHNICAL PROPOSAL

Single-phase induction motor - Squirrel cage rotor

Product line : Single-Phase : NEMA 56 TEFC

Catalog Number : .3336ES1BB56

List Price : \$267

Notes:

Downloaded from <http://dealerselectric.com>

Generated for Model #.3336ES1BB56

Performed by:

Checked:



Dealers Industrial Equipment

No.:

Date: 12-SEP-2016

DATA SHEET Single-phase induction motor - Squirrel cage rotor

Customer :
Product line : Single-Phase : NEMA 56 TEFC

Frame : B56
Output : 0.33 HP
Frequency : 60 Hz
Poles : 2
Full load speed : 3490 rpm
Slip : 3.06 %
Voltage : 115/208-230 V
Rated current : 5.70/2.70-2.85 A
Locked rotor current : 33.1/16.5 A
Locked rotor current (I_L/I_n) : 5.8
No-load current : 4.40/2.20 A
Full load torque : 0.490 lb.ft
Locked rotor torque : 370 %
Breakdown torque : 320 %
Design : ---
Insulation class : B
Temperature rise : 80 K
Locked rotor time : 6 s (hot)
Service factor : 1.15 (1.00 at 208V)
Duty cycle : S1
Ambient temperature : -20°C - +40°C
Altitude : 1000 m
Degree of Protection : IP55
Approximate weight : 22 lb
Moment of inertia : 0.02776 sq.ft.lb
Noise level : ---

| | D.E. | N.D.E. |
|---------------------|---------|---------|
| Bearings | 6203 ZZ | 6202 ZZ |
| Regreasing interval | --- | --- |
| Grease amount | --- | --- |

| Load | Power factor | Efficiency (%) |
|------|--------------|----------------|
| 100% | 0.70 | 53.0 |
| 75% | 0.64 | 49.0 |
| 50% | 0.56 | 40.0 |

Notes:
Downloaded from <http://dealerselectric.com>
Generated for Model #.3336ES1BB56

Performed by

Checked



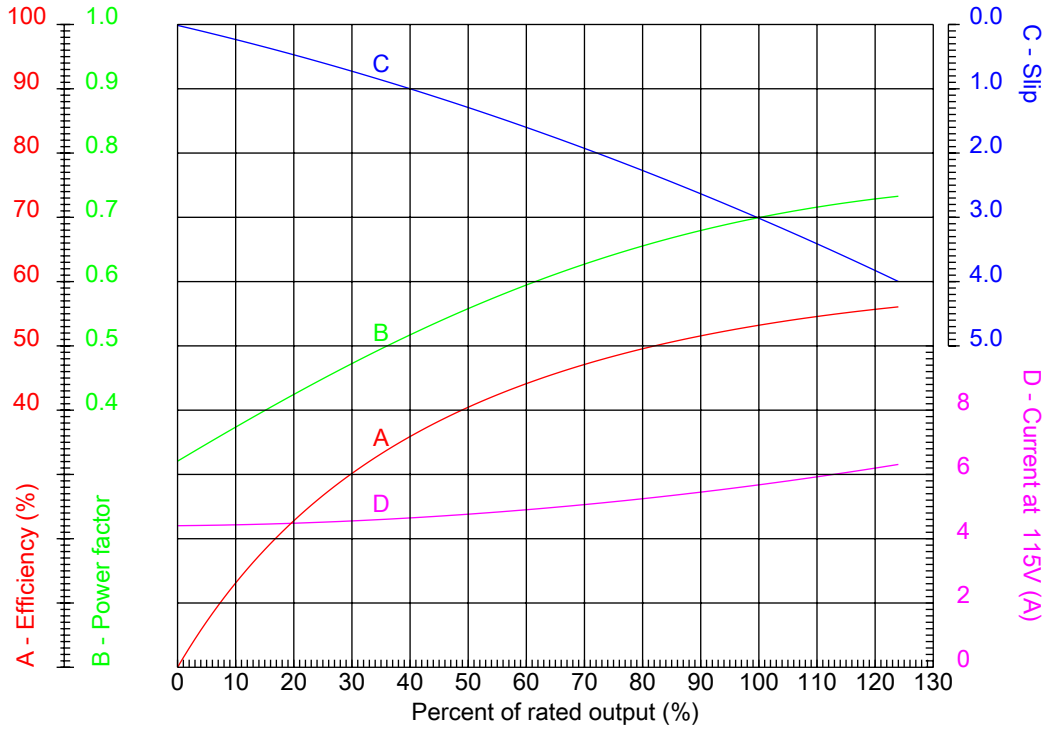
Dealers Industrial Equipment

No.:

Date: 12-SEP-2016

PERFORMANCE CURVES RELATED TO RATED OUTPUT

Single-phase induction motor - Squirrel cage rotor



Customer :
 Product line : Single-Phase : NEMA 56 TEFC

| | | | |
|------------------|--------------------|--|-----------------------|
| Frame | : B56 | Locked rotor current (I _L /I _n) | : 5.8 |
| Output | : 0.33 HP | Duty cycle | : S1 |
| Frequency | : 60 Hz | Service factor | : 1.15 (1.00 at 208V) |
| Full load speed | : 3490 rpm | Design | : --- |
| Voltage | : 115/208-230 V | Locked rotor torque | : 370 % |
| Rated current | : 5.70/2.70-2.85 A | Breakdown torque | : 320 % |
| Insulation class | : B | | |

Notes:
 Downloaded from <http://dealerselectric.com>
 Generated for Model #.3336ES1BB56

Performed by

Checked

1 2 3 4 5 6 7 8

A

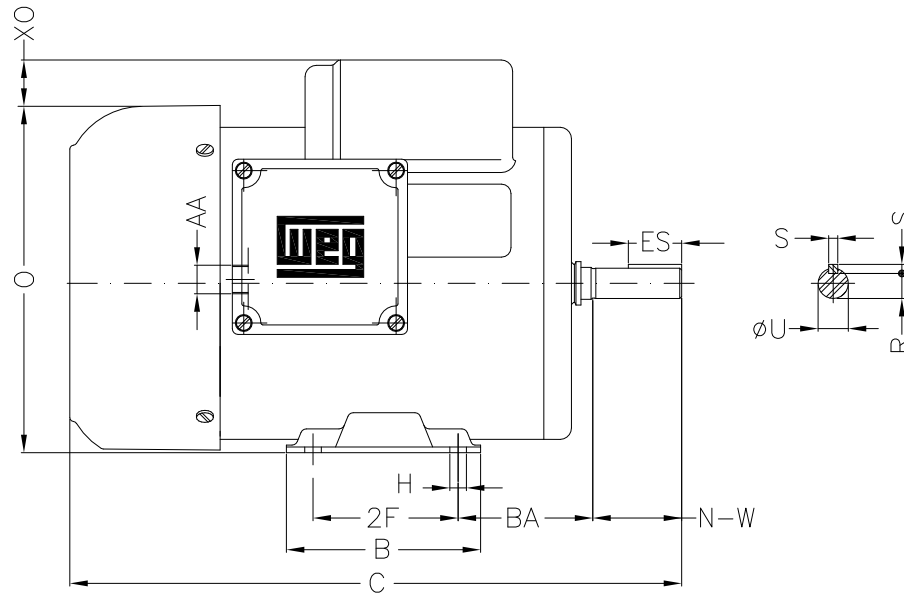
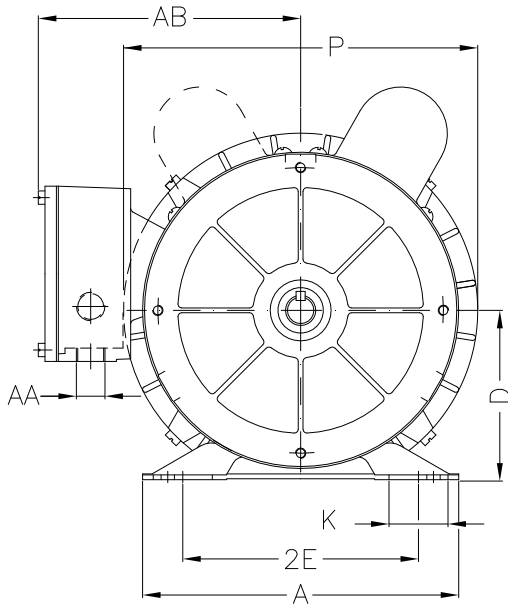
B

C

D

E

F



Notes: Downloaded from <http://dealerselectric.com>
Generated for Model #.3336ES1BB56

Performed by:

Checked:

Customer:

Single-Phase : NEMA 56 TEFC

Single-phase induction motor
Frame B56 - IP55

12-SEP-2016



| | | | | |
|----------------|--------------|-------------|------------------|------------|
| 2E 4.874 | H 0.342 | A 6.535 | 2F 3.000 | B 4.016 |
| BA 2.750 | J 1.220 | P 7.323 | ES 1.102 | S 0.187 |
| depth 0.187 | N-W 1.874 | U 0.6250 | R 0.517 | D 3.500 |
| O 7.165 | XO 1.063 | C 11.102 | AA 2xNPT 1/2" | |