



Dealers Industrial Equipment

No.:

Date: 12-SEP-2016

Customer :

TECHNICAL PROPOSAL

Single-phase induction motor - Squirrel cage rotor

Product line : Single-Phase: Fractional Explosion Proof Motors

Catalog Number : .3318XS1B56C

List Price : \$816

Notes:

Downloaded from <http://dealerselectric.com>

Generated for Model #.3318XS1B56C

Performed by:

Checked:



Dealers Industrial Equipment

No.:

Date: 12-SEP-2016

DATA SHEET

Single-phase induction motor - Squirrel cage rotor

Customer :
Product line : Single-Phase: Fractional Explosion Proof Motors

Frame : 56
Output : 0.33 HP
Frequency : 60 Hz
Poles : 4
Full load speed : 1725 rpm
Slip : 4.17 %
Voltage : 115/208-230 V
Rated current : 6.00/3.00 A
Locked rotor current : 27.6/13.8 A
Locked rotor current (I_L/I_n) : 4.6
No-load current : 4.80/2.40 A
Full load torque : 0.991 lb.ft
Locked rotor torque : 360 %
Breakdown torque : 260 %
Design : ---
Insulation class : F
Temperature rise : 80 K
Locked rotor time : 13 s (hot)
Service factor : 1.00
Duty cycle : S1
Ambient temperature : -20°C - +50°C
Altitude : 1000 m
Degree of Protection : IP55
Approximate weight : 22 lb
Moment of inertia : 0.01709 sq.ft.lb
Noise level : ---

| | D.E. | N.D.E. | Load | Power factor | Efficiency (%) |
|---------------------|---------|---------|------|--------------|----------------|
| Bearings | 6203 ZZ | 6203 ZZ | 100% | 0.65 | 59.8 |
| Regreasing interval | --- | --- | 75% | 0.55 | 55.0 |
| Grease amount | --- | --- | 50% | 0.47 | 47.0 |

Notes:
Downloaded from <http://dealerselectric.com>
Generated for Model #.3318XS1B56C

Performed by

Checked

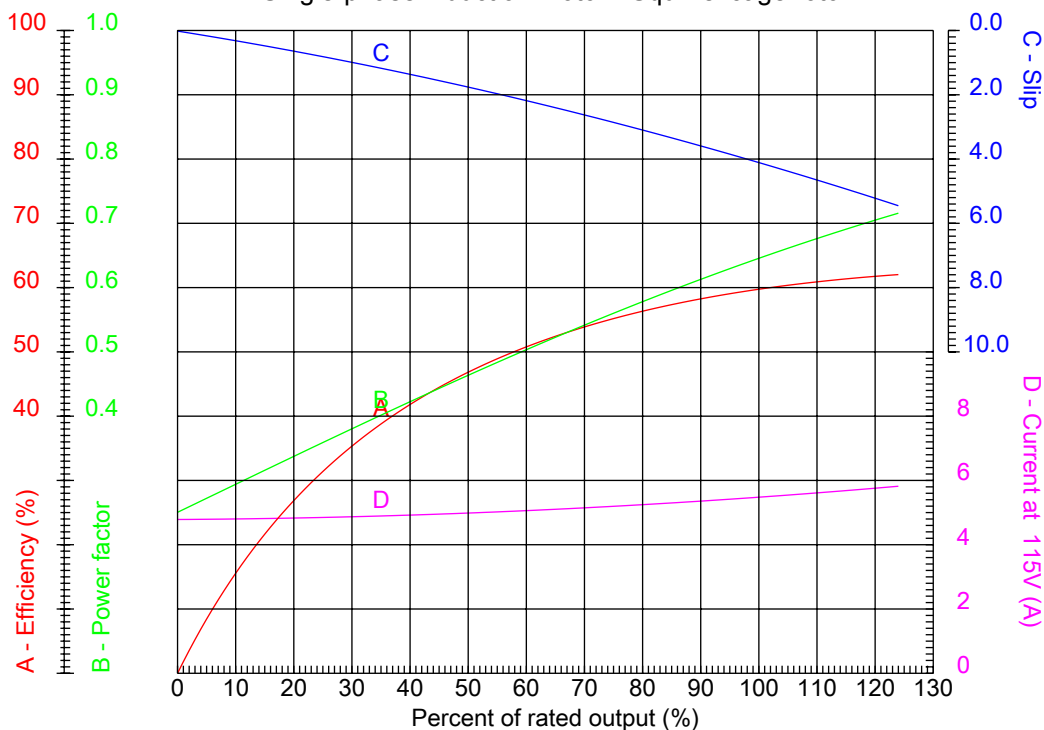


Dealers Industrial Equipment

No.:

Date: 12-SEP-2016

PERFORMANCE CURVES RELATED TO RATED OUTPUT Single-phase induction motor - Squirrel cage rotor



Customer :
 Product line : Single-Phase: Fractional Explosion Proof Motors

| | | | |
|------------------|-----------------|--|---------|
| Frame | : 56 | Locked rotor current (I _l /I _n) | : 4.6 |
| Output | : 0.33 HP | Duty cycle | : S1 |
| Frequency | : 60 Hz | Service factor | : 1.00 |
| Full load speed | : 1725 rpm | Design | : --- |
| Voltage | : 115/208-230 V | Locked rotor torque | : 360 % |
| Rated current | : 6.00/3.00 A | Breakdown torque | : 260 % |
| Insulation class | : F | | |

Notes:
 Downloaded from <http://dealerselectric.com>
 Generated for Model #.3318XS1B56C

Performed by

Checked

1 2 3 4 5 6 7 8

A

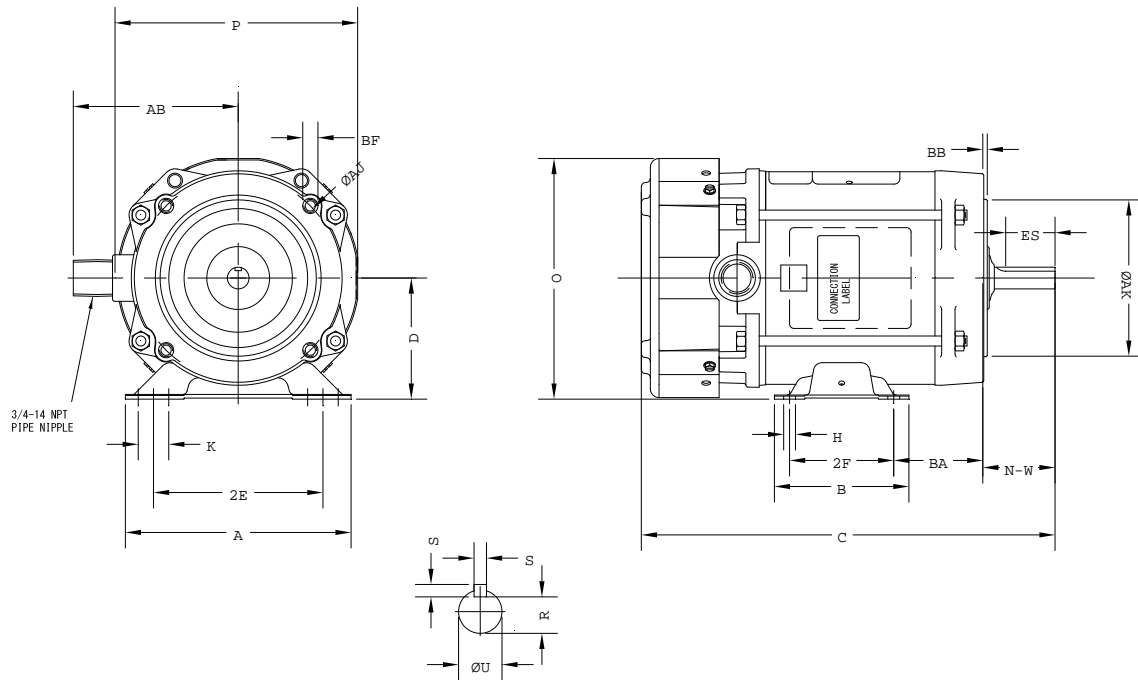
B

C

D

E

F



Notes: Downloaded from <http://dealerselectric.com>
Generated for Model #.3318XS1B56C

Performed by:

Checked:

Customer:

Single-Phase: Fractional Explosion Proof Motors

Single-phase induction motor
Frame 56 - IP55

12-SEP-2016



| | | | | |
|----------------------|------------------|--------------|-------------|-------------|
| 2E 4.880 | A 6.500 | P 6.980 | AB 4.500 | B 3.880 |
| BA 2.750 | U 0.6250 | N-W 1.880 | ES 1.380 | S 0.190 |
| R 0.517 | D 3.500 | O 6.920 | H 0.340 | C 11.790 |
| d1 SEM | Flange FC-149 | AJ 5.880 | AK 4.500 | BD 6.000 |
| BF UNC 3/8"x16-2B | BB 0.160 | AH 2.060 | | |