



Dealers Industrial Equipment

No.:

Date: 12-SEP-2016

Customer :

TECHNICAL PROPOSAL

Single-phase induction motor - Squirrel cage rotor

Product line : Single-Phase: Fractional Explosion Proof Motors

Catalog Number : .3318XS1B56

List Price : \$670

Notes:

Downloaded from <http://dealerselectric.com>

Generated for Model #.3318XS1B56

Performed by:

Checked:



Dealers Industrial Equipment

No.:

Date: 12-SEP-2016

DATA SHEET Single-phase induction motor - Squirrel cage rotor

Customer :
 Product line : Single-Phase: Fractional Explosion Proof Motors

Frame : 56
 Output : 0.33 HP
 Frequency : 60 Hz
 Poles : 4
 Full load speed : 1725 rpm
 Slip : 4.17 %
 Voltage : 115/208-230 V
 Rated current : 6.00/3.00 A
 Locked rotor current : 27.6/13.8 A
 Locked rotor current (I_L/I_n) : 4.6
 No-load current : 4.80/2.40 A
 Full load torque : 0.991 lb.ft
 Locked rotor torque : 360 %
 Breakdown torque : 260 %
 Design : ---
 Insulation class : F
 Temperature rise : 80 K
 Locked rotor time : 13 s (hot)
 Service factor : 1.00
 Duty cycle : S1
 Ambient temperature : -20°C - +50°C
 Altitude : 1000 m
 Degree of Protection : IP55
 Approximate weight : 22 lb
 Moment of inertia : 0.01709 sq.ft.lb
 Noise level : ---

	D.E.	N.D.E.
Bearings	6203 ZZ	6203 ZZ
Regreasing interval	---	---
Grease amount	---	---

Load	Power factor	Efficiency (%)
100%	0.65	59.8
75%	0.55	55.0
50%	0.47	47.0

Notes:
 Downloaded from <http://dealerselectric.com>
 Generated for Model #.3318XS1B56

Performed by

Checked



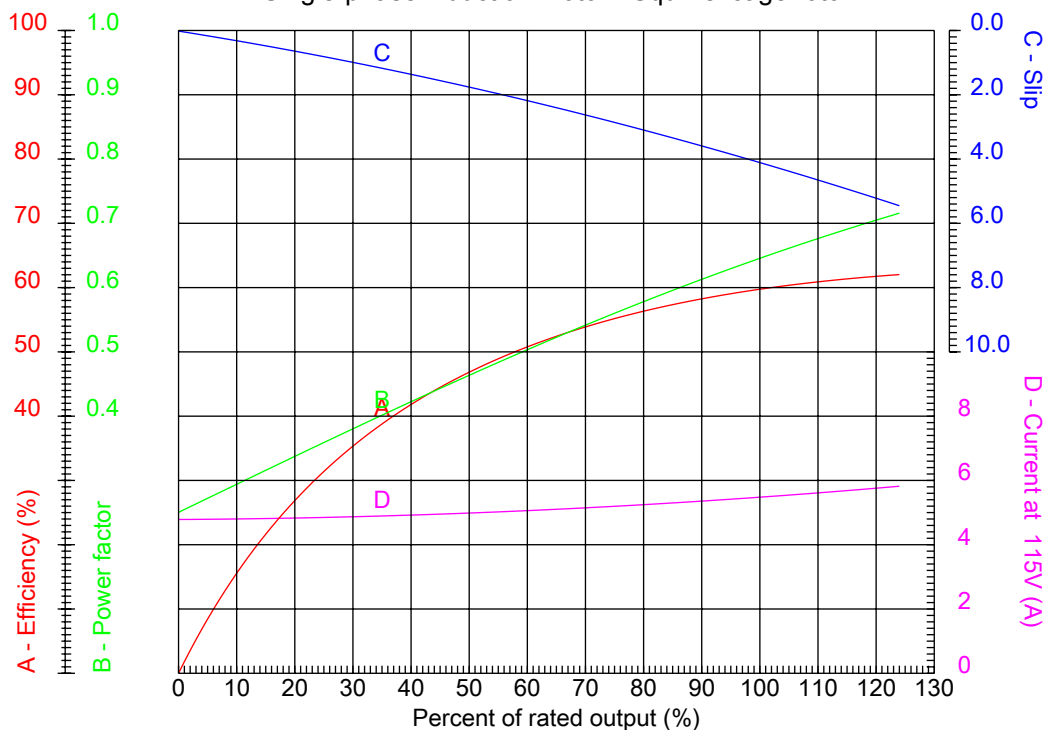
Dealers Industrial Equipment

No.:

Date: 12-SEP-2016

PERFORMANCE CURVES RELATED TO RATED OUTPUT

Single-phase induction motor - Squirrel cage rotor



Customer :
Product line : Single-Phase: Fractional Explosion Proof Motors

Frame	: 56	Locked rotor current (I _l /I _n)	: 4.6
Output	: 0.33 HP	Duty cycle	: S1
Frequency	: 60 Hz	Service factor	: 1.00
Full load speed	: 1725 rpm	Design	: ---
Voltage	: 115/208-230 V	Locked rotor torque	: 360 %
Rated current	: 6.00/3.00 A	Breakdown torque	: 260 %
Insulation class	: F		

Notes:
Downloaded from <http://dealerselectric.com>
Generated for Model #.3318XS1B56

Performed by

Checked

1 2 3 4 5 6 7 8

A

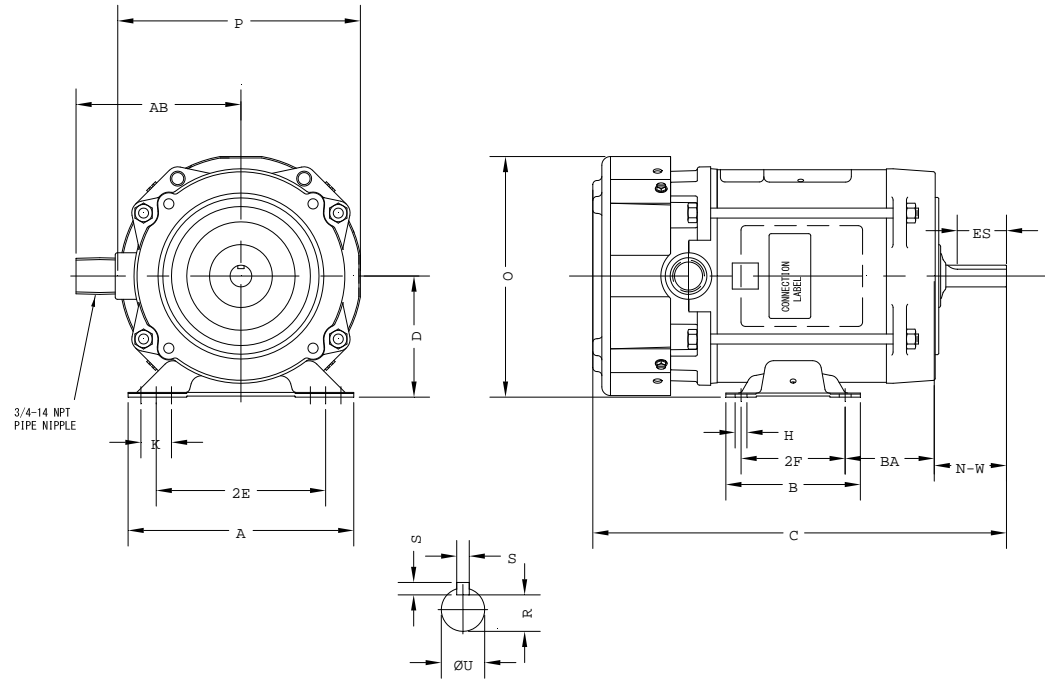
B

C

D

E

F



Notes: Downloaded from <http://dealerselectric.com>
Generated for Model #.3318XS1B56

Performed by:

Checked:

Customer:

Single-Phase: Fractional Explosion Proof Motors

2E	A	P	AB	B
4.880	6.500	6.980	4.500	3.880
BA	U	N-W	ES	S
2.750	0.6250	1.880	1.380	0.190
R	D	O	H	C
0.517	3.500	6.920	0.340	11.790
d1				
SEM				

Single-phase induction motor
Frame 56 - IP55

12-SEP-2016

