



Dealers Industrial Equipment

No.:

Date: 12-SEP-2016

Customer :

TECHNICAL PROPOSAL

## Single-phase induction motor - Squirrel cage rotor

Product line : Farm Duty Motors : TEFC (IP55) - Single-Phase

Catalog Number : .3318ES1RFDB56

List Price : \$284

Notes:

Downloaded from <http://dealerselectric.com>

Generated for Model #.3318ES1RFDB56

Performed by:

Checked:



# Dealers Industrial Equipment

No.:

Date: 12-SEP-2016

## DATA SHEET Single-phase induction motor - Squirrel cage rotor

Customer :  
 Product line : Farm Duty Motors : TEFC (IP55) - Single-Phase

Frame : B56  
 Output : 0.33 HP  
 Frequency : 60 Hz  
 Poles : 4  
 Full load speed : 1750 rpm  
 Slip : 2.78 %  
 Voltage : 115/230 V  
 Rated current : 5.60/2.80 A  
 Locked rotor current : 32.5/16.2 A  
 Locked rotor current (I<sub>L</sub>/I<sub>n</sub>) : 5.8  
 No-load current : 4.60/2.30 A  
 Full load torque : 0.977 lb.ft  
 Locked rotor torque : 340 %  
 Breakdown torque : 280 %  
 Design : ---  
 Insulation class : B  
 Temperature rise : 80 K  
 Locked rotor time : 6 s (hot)  
 Service factor : 1.15  
 Duty cycle : S1  
 Ambient temperature : -20°C - +40°C  
 Altitude : 1000 m  
 Degree of Protection : IP55  
 Approximate weight : 22 lb  
 Moment of inertia : 0.06241 sq.ft.lb  
 Noise level : ---

	D.E.	N.D.E.	Load	Power factor	Efficiency (%)
Bearings	6203 ZZ	6202 ZZ	100%	0.62	61.0
Regreasing interval	---	---	75%	0.53	58.0
Grease amount	---	---	50%	0.44	49.0

Notes:  
 Downloaded from <http://dealerselectric.com>  
 Generated for Model #.3318ES1RFDB56

Performed by

Checked

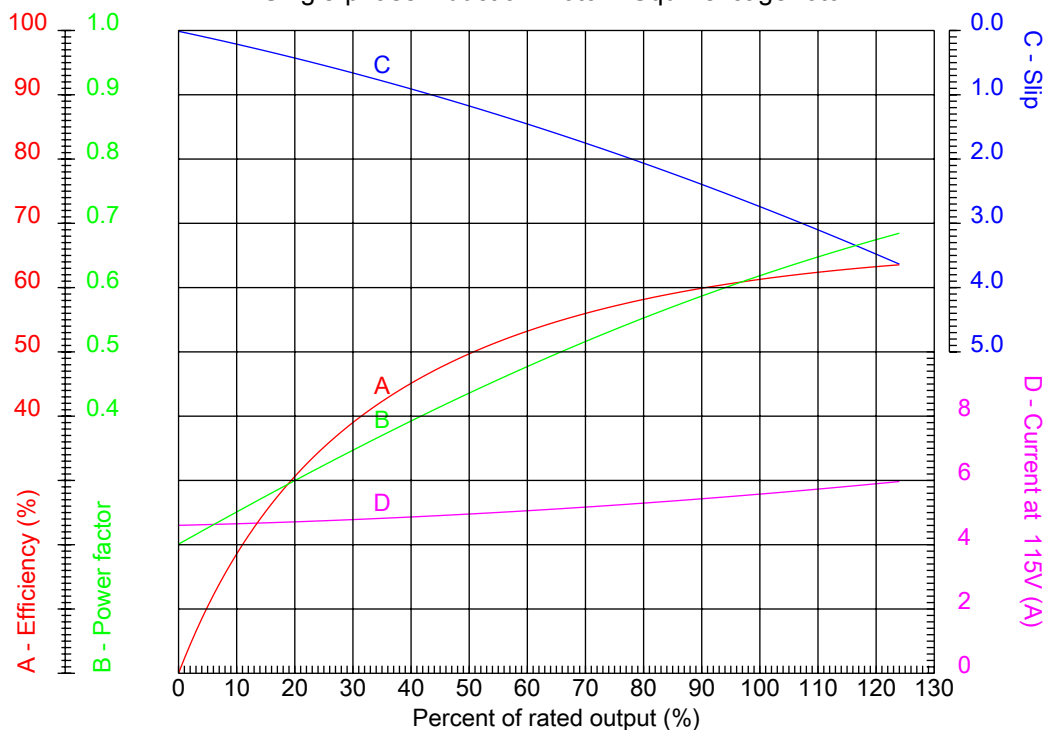


# Dealers Industrial Equipment

No.:

Date: 12-SEP-2016

## PERFORMANCE CURVES RELATED TO RATED OUTPUT Single-phase induction motor - Squirrel cage rotor



Customer :  
 Product line : Farm Duty Motors : TEFC (IP55) - Single-Phase

Frame	: B56	Locked rotor current (I <sub>l</sub> /I <sub>n</sub> )	: 5.8
Output	: 0.33 HP	Duty cycle	: S1
Frequency	: 60 Hz	Service factor	: 1.15
Full load speed	: 1750 rpm	Design	: ---
Voltage	: 115/230 V	Locked rotor torque	: 340 %
Rated current	: 5.60/2.80 A	Breakdown torque	: 280 %
Insulation class	: B		

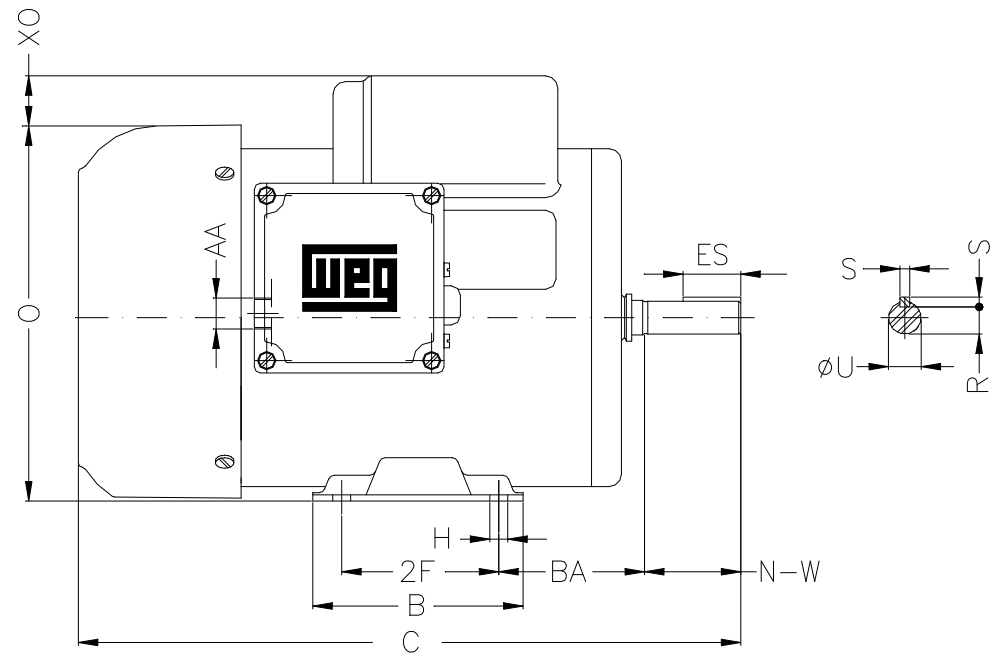
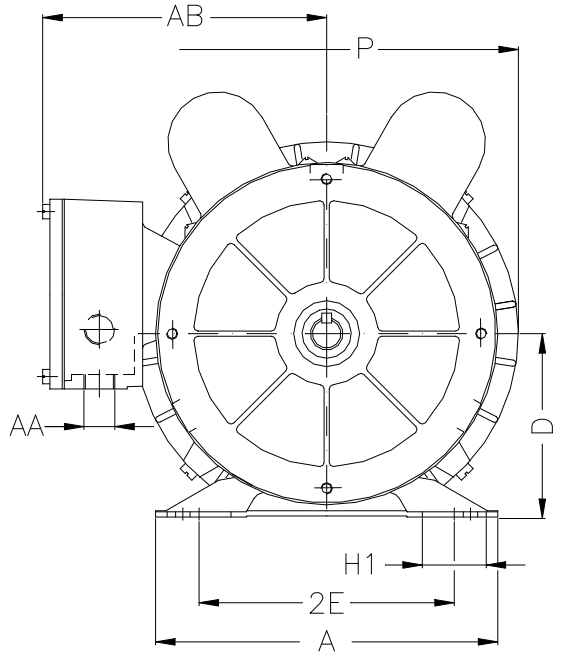
Notes:  
 Downloaded from <http://dealerselectric.com>  
 Generated for Model #.3318ES1RFDB56

Performed by

Checked

1 2 3 4 5 6 7 8

A  
B  
C  
D  
E  
F



Notes: Downloaded from <http://dealerselectric.com>  
Generated for Model #.3318ES1RFDB56

Performed by:

Checked:

Customer:

Farm Duty Motors : TEFC (IP55) - Single-Phase

2E 4.874	2F 3.000	H 0.342	BA 2.750	A 6.535
B 4.016	C 11.102	D 3.500	J 1.220	O 7.165
P 7.323	ES 1.102	S 0.187	N-W 1.874	U 0.6250
R 0.517	AB 5.433	AA 2xNPT 1/2"	d1 A 3.15	

Single-phase induction motor  
Frame B56 - IP55

12-SEP-2016

