



Dealers Industrial Equipment

No.:

Date: 12-SEP-2016

Customer :

TECHNICAL PROPOSAL

Single-phase induction motor - Squirrel cage rotor

Product line : Single Phase: W01 (Rolled Steel) - TEFC - Standard Efficiency

Catalog Number : .3318ES1BW56CFL-S

List Price : \$304

Notes:

Downloaded from <http://dealerselectric.com>

Generated for Model #.3318ES1BW56CFL-S

Performed by:

Checked:



Dealers Industrial Equipment

No.:

Date: 12-SEP-2016

DATA SHEET Single-phase induction motor - Squirrel cage rotor

Customer :
 Product line : Single Phase: W01 (Rolled Steel) - TEFC - Standard Efficiency

Frame : W56
 Output : 0.33 HP
 Frequency : 60 Hz
 Poles : 4
 Full load speed : 1735 rpm
 Slip : 3.61 %
 Voltage : 115/208-230 V
 Rated current : 6.00/3.32-3.00 A
 Locked rotor current : 33.6/16.8 A
 Locked rotor current (I_L/I_n) : 5.6
 No-load current : 5.40/2.70 A
 Full load torque : 0.985 lb.ft
 Locked rotor torque : 320 %
 Breakdown torque : 280 %
 Design : ---
 Insulation class : F
 Temperature rise : 80 K
 Locked rotor time : 12 s (hot)
 Service factor : 1.15 (1.00 at 208V)
 Duty cycle : S1
 Ambient temperature : -20°C - +40°C
 Altitude : 1000 m
 Degree of Protection : IP55
 Approximate weight : 18 lb
 Moment of inertia : 0.03987 sq.ft.lb
 Noise level : 52 dB(A)

	D.E.	N.D.E.
Bearings	6203 ZZ	6202 ZZ
Regreasing interval	---	---
Grease amount	---	---

Load	Power factor	Efficiency (%)
100%	0.59	61.0
75%	0.51	55.0
50%	0.42	46.0

Notes:
 Downloaded from <http://dealerselectric.com>
 Generated for Model #.3318ES1BW56CFL-S

Performed by

Checked



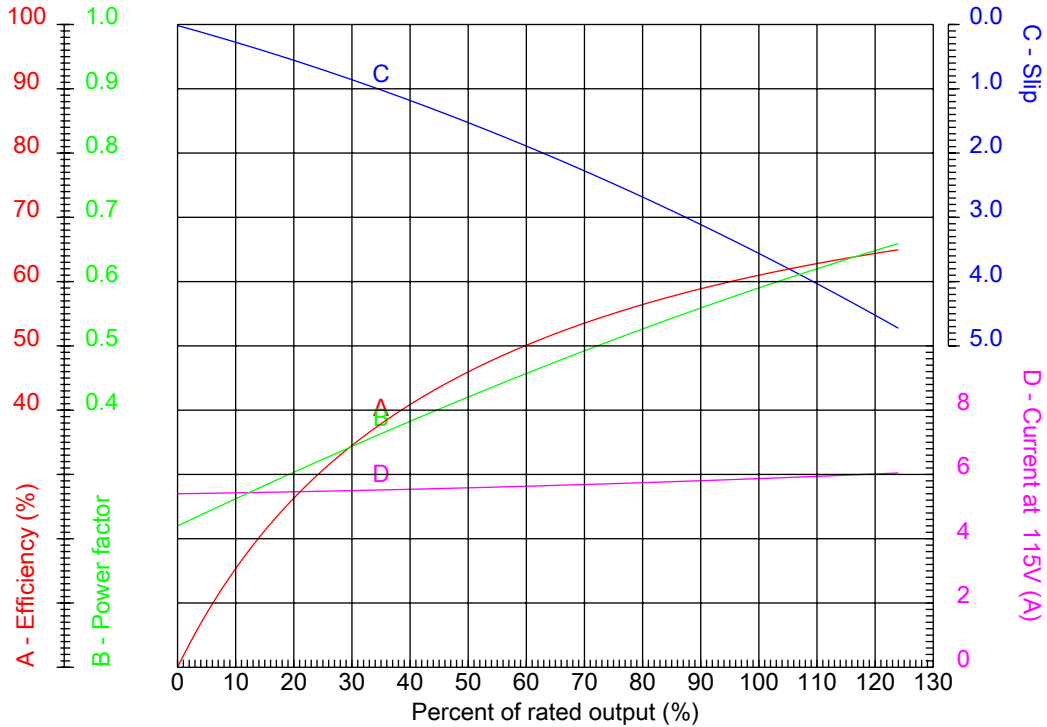
Dealers Industrial Equipment

No.:

Date: 12-SEP-2016

PERFORMANCE CURVES RELATED TO RATED OUTPUT

Single-phase induction motor - Squirrel cage rotor



Customer :
 Product line : Single Phase: W01 (Rolled Steel) - TEFC - Standard Efficiency

Frame	: W56	Locked rotor current (I _l /I _n)	: 5.6
Output	: 0.33 HP	Duty cycle	: S1
Frequency	: 60 Hz	Service factor	: 1.15 (1.00 at 208V)
Full load speed	: 1735 rpm	Design	: ---
Voltage	: 115/208-230 V	Locked rotor torque	: 320 %
Rated current	: 6.00/3.32-3.00 A	Breakdown torque	: 280 %
Insulation class	: F		

Notes:
 Downloaded from <http://dealerselectric.com>
 Generated for Model #.3318ES1BW56CFL-S

Performed by

Checked

1 2 3 4 5 6 7 8

A

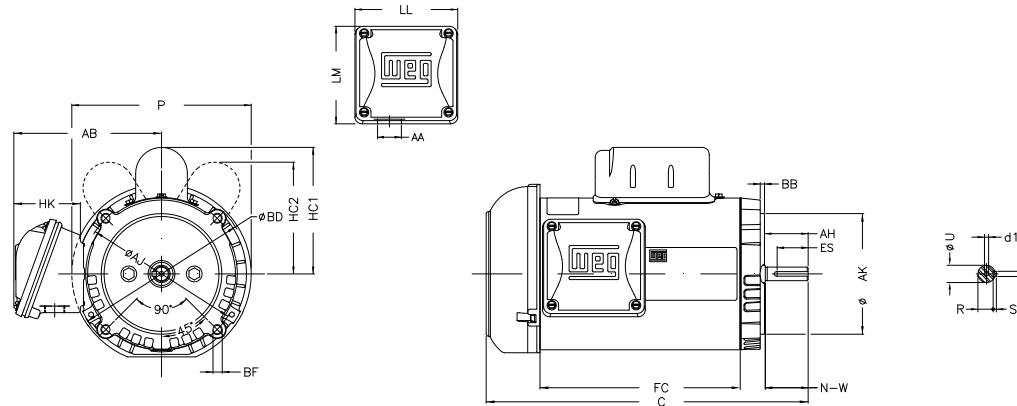
B

C

D

E

F



Notes: Downloaded from <http://dealerselectric.com>
Generated for Model #.3318ES1BW56CFL-S

Performed by:

Checked:

Customer:

Single Phase: W01 (Rolled Steel) - TEFC - Standard Efficiency

Single-phase induction motor
Frame W56 - IP55

12-SEP-2016



P 6.693	AB 5.520	HK 2.650	FC 6.693	C 11.500
N-W 1.874	ES 1.417	d1 A 3.15	S 0.187	U 0.625
AA 0.881"	depth 0.187	R 0.517	LL 3.835	LM 3.697
CH 1.417	HC1 4.717	Flange FC-149	AJ 5.874	AK 4.500
BD 6.470	BF UNC 3/8"x16-2B	BB 0.157	AH 2.063	