



Dealers Industrial Equipment

No.:

Date: 12-SEP-2016

Customer :

TECHNICAL PROPOSAL

Single-phase induction motor - Squirrel cage rotor

Product line : Single-Phase : NEMA 48 & 56 ODP - Start Capacitor

Catalog Number : .2536OS1B56

List Price : \$220

Notes:

Downloaded from <http://dealerselectric.com>

Generated for Model #.2536OS1B56

Performed by:

Checked:



Dealers Industrial Equipment

No.:

Date: 12-SEP-2016

DATA SHEET Single-phase induction motor - Squirrel cage rotor

Customer :
 Product line : Single-Phase : NEMA 48 & 56 ODP - Start Capacitor

Frame : 56
 Output : 0.25 HP
 Frequency : 60 Hz
 Poles : 2
 Full load speed : 3440 rpm
 Slip : 4.44 %
 Voltage : 115/208-230 V
 Rated current : 4.30/2.10-2.15 A
 Locked rotor current : 21.9/11.0 A
 Locked rotor current (I_L/I_n) : 5.1
 No-load current : 3.10/1.55 A
 Full load torque : 0.377 lb.ft
 Locked rotor torque : 350 %
 Breakdown torque : 280 %
 Design : ---
 Insulation class : B
 Temperature rise : 80 K
 Locked rotor time : 6 s (hot)
 Service factor : 1.35 (1.00 at 208V)
 Duty cycle : S1
 Ambient temperature : -20°C - +40°C
 Altitude : 1000 m
 Degree of Protection : IP21
 Approximate weight : 18 lb
 Moment of inertia : 0.01495 sq.ft.lb
 Noise level : ---

	D.E.	N.D.E.	Load	Power factor	Efficiency (%)
Bearings	6203 ZZ	6202 ZZ	100%	0.68	54.7
Regreasing interval	---	---	75%	0.64	50.5
Grease amount	---	---	50%	0.56	42.0

Notes:
 Downloaded from <http://dealerselectric.com>
 Generated for Model #.2536OS1B56

Performed by

Checked

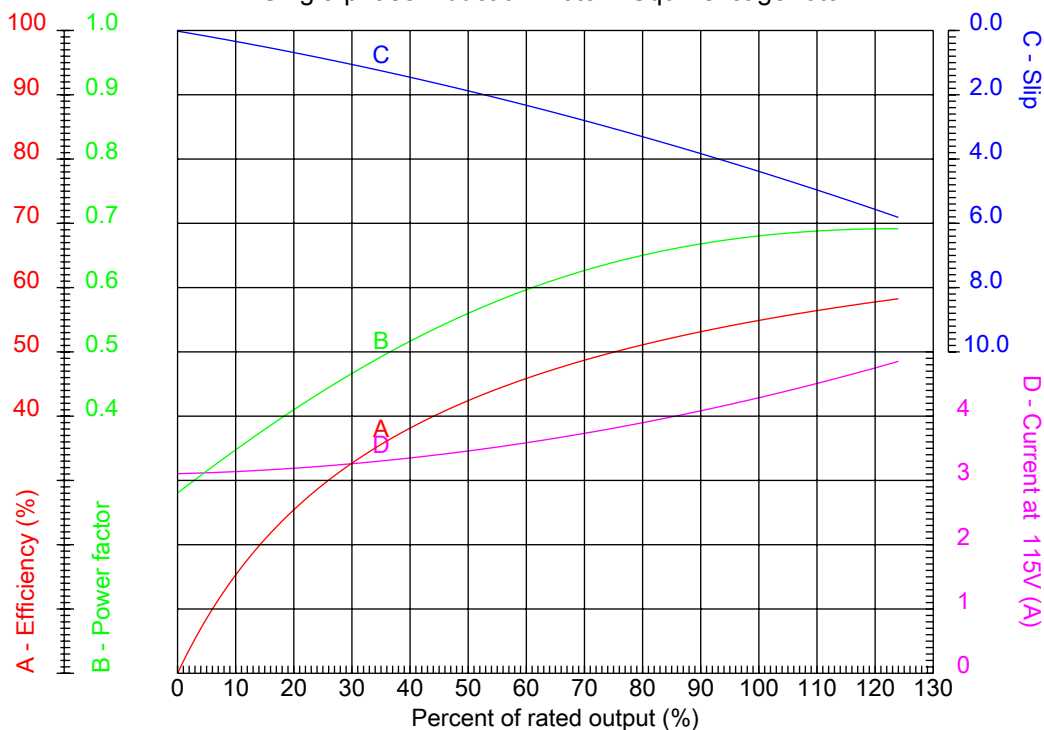


Dealers Industrial Equipment

No.:

Date: 12-SEP-2016

PERFORMANCE CURVES RELATED TO RATED OUTPUT Single-phase induction motor - Squirrel cage rotor



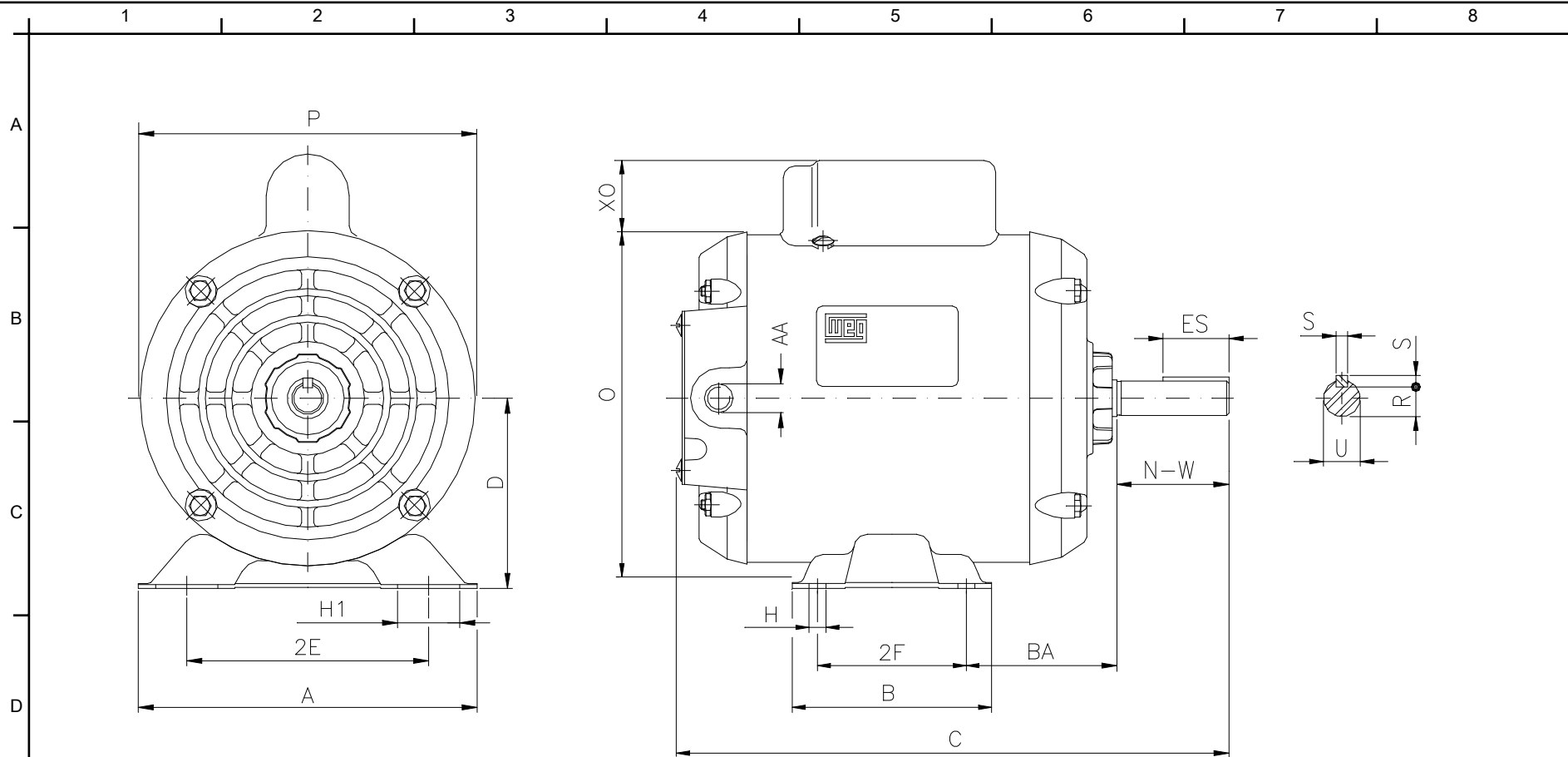
Customer :
 Product line : Single-Phase : NEMA 48 & 56 ODP - Start Capacitor

Frame	: 56	Locked rotor current (I _L /I _n)	: 5.1
Output	: 0.25 HP	Duty cycle	: S1
Frequency	: 60 Hz	Service factor	: 1.35 (1.00 at 208V)
Full load speed	: 3440 rpm	Design	: ---
Voltage	: 115/208-230 V	Locked rotor torque	: 350 %
Rated current	: 4.30/2.10-2.15 A	Breakdown torque	: 280 %
Insulation class	: B		

Notes:
 Downloaded from <http://dealerselectric.com>
 Generated for Model #.2536OS1B56

Performed by

Checked



Notes: Downloaded from <http://dealerselectric.com>
 Generated for Model #.2536OS1B56

Performed by:

Checked:

Customer:

Single-Phase : NEMA 48 & 56 ODP - Start Capacitor

	2E 4.874	2F 3.000	H 0.342	H1 1.220	BA 2.750
F	A 6.535	B 4.016	C 9.646	D 3.500	O 6.378
	XO 0.000	P 5.709	ES 1.102	S 0.187	N-W 1.874
	U 0.6250	R 0.517	AA NPT 1/2"	d1 A 4	AH 2.063

Single-phase induction motor
 Frame 56 - IP21

12-SEP-2016

