



Dealers Industrial Equipment

No.:

Date: 12-SEP-2016

Customer :

TECHNICAL PROPOSAL

Single-phase induction motor - Squirrel cage rotor

Product line : Single-Phase : NEMA 56 TEFC

Catalog Number : .2536ES1BB56C

List Price : \$280

Notes:

Downloaded from <http://dealerselectric.com>

Generated for Model #.2536ES1BB56C

Performed by:

Checked:



Dealers Industrial Equipment

No.:

Date: 12-SEP-2016

DATA SHEET Single-phase induction motor - Squirrel cage rotor

Customer :
Product line : Single-Phase : NEMA 56 TEFC

Frame : B56
Output : 0.25 HP
Frequency : 60 Hz
Poles : 2
Full load speed : 3480 rpm
Slip : 3.33 %
Voltage : 115/208-230 V
Rated current : 4.60/2.20-2.30 A
Locked rotor current : 25.8/12.9 A
Locked rotor current (I_L/I_n) : 5.6
No-load current : 3.70/1.85 A
Full load torque : 0.372 lb.ft
Locked rotor torque : 280 %
Breakdown torque : 290 %
Design : ---
Insulation class : B
Temperature rise : 80 K
Locked rotor time : 6 s (hot)
Service factor : 1.15 (1.00 at 208V)
Duty cycle : S1
Ambient temperature : -20°C - +40°C
Altitude : 1000 m
Degree of Protection : IP55
Approximate weight : 22 lb
Moment of inertia : 0.02373 sq.ft.lb
Noise level : ---

	D.E.	N.D.E.
Bearings	6203 ZZ	6202 ZZ
Regreasing interval	---	---
Grease amount	---	---

Load	Power factor	Efficiency (%)
100%	0.70	50.0
75%	0.64	45.0
50%	0.56	36.0

Notes:
Downloaded from <http://dealerselectric.com>
Generated for Model #.2536ES1BB56C

Performed by

Checked

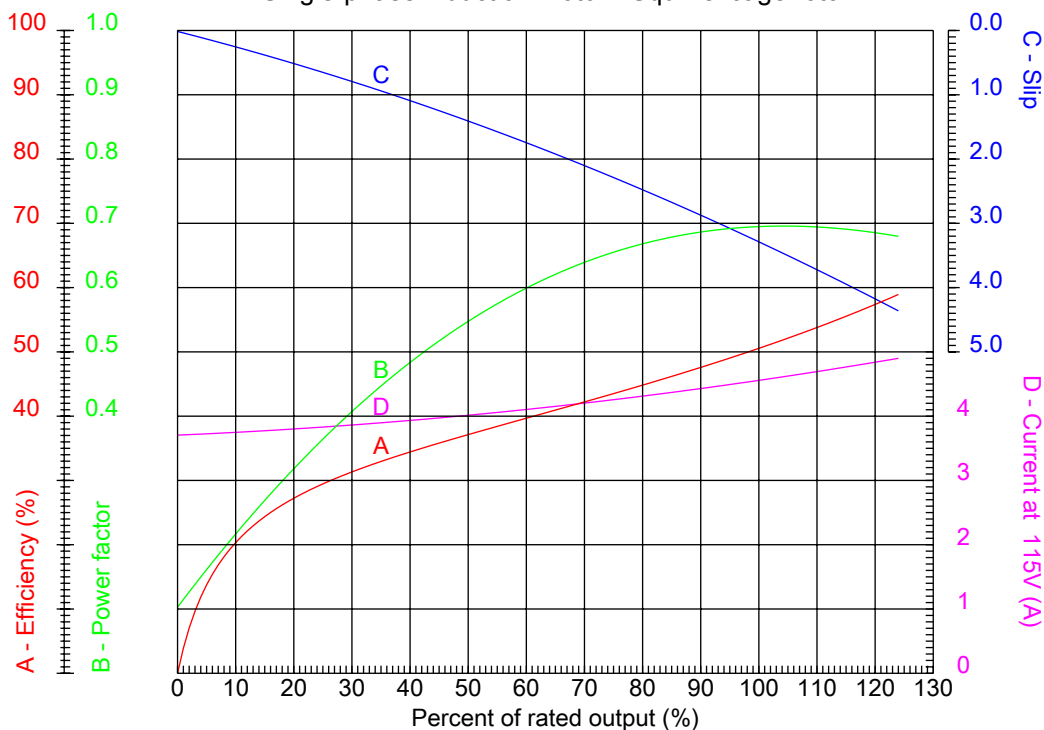


Dealers Industrial Equipment

No.:

Date: 12-SEP-2016

PERFORMANCE CURVES RELATED TO RATED OUTPUT Single-phase induction motor - Squirrel cage rotor



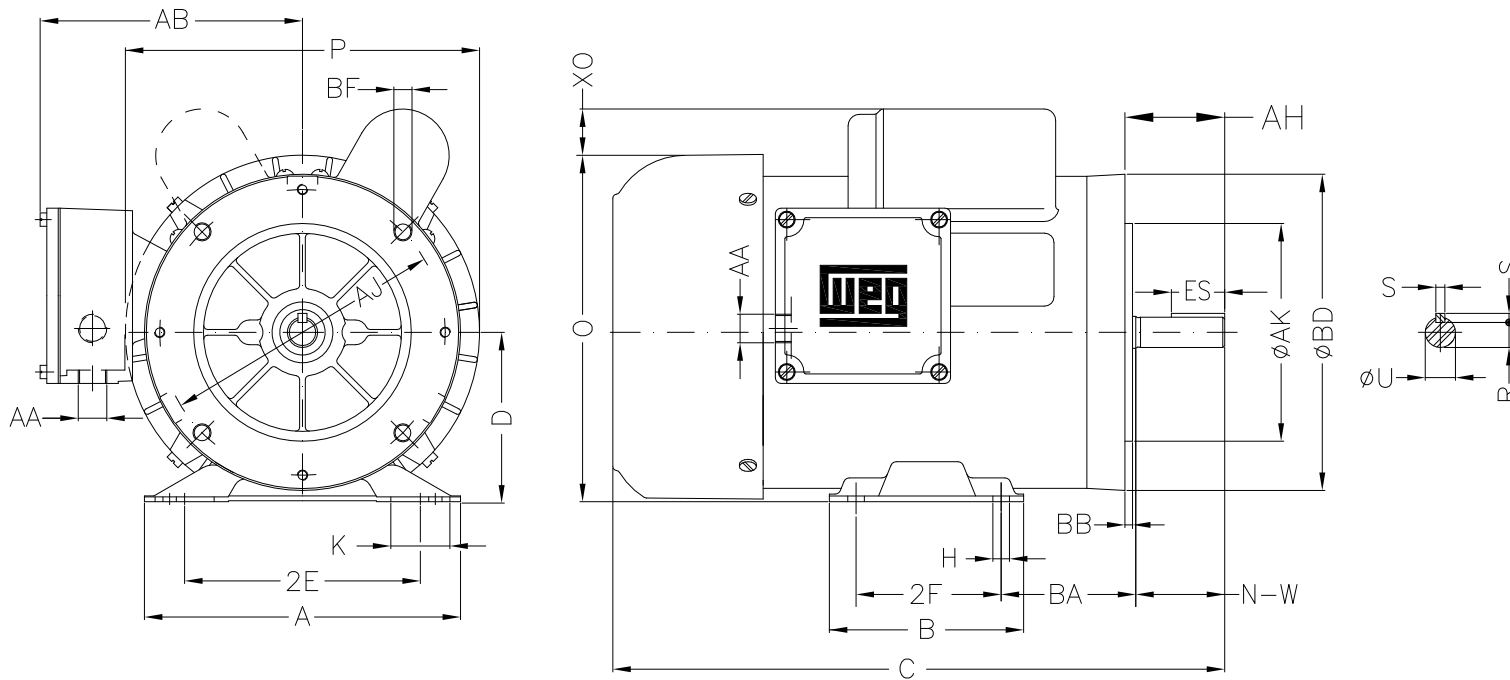
Customer :
 Product line : Single-Phase : NEMA 56 TEFC

Frame	: B56	Locked rotor current (I _L /I _n)	: 5.6
Output	: 0.25 HP	Duty cycle	: S1
Frequency	: 60 Hz	Service factor	: 1.15 (1.00 at 208V)
Full load speed	: 3480 rpm	Design	: ---
Voltage	: 115/208-230 V	Locked rotor torque	: 280 %
Rated current	: 4.60/2.20-2.30 A	Breakdown torque	: 290 %
Insulation class	: B		

Notes:
 Downloaded from <http://dealerselectric.com>
 Generated for Model #.2536ES1BB56C

Performed by

Checked



Notes: Downloaded from <http://dealerselectric.com>
Generated for Model #.2536ES1BB56C

Performed by:

Checked:

Customer:

Single-Phase : NEMA 56 TEFC

Single-phase induction motor
Frame B56 - IP55

12-SEP-2016



2E	H	A	2F	B
4.874	0.342	6.535	3.000	4.016
BA	J	P	ES	S
2.750	1.220	7.323	1.102	0.187
depth	N-W	U	R	D
0.187	1.874	0.6250	0.517	3.500
O	XO	C	AA	Flange
7.165	1.063	11.102	2xNPT 1/2"	FC-149
AJ	AK	BD	BF	BB
5.874	4.500	6.535	UNC 3/8"x16-2B	0.157
AH				
2.063				