



Dealers Industrial Equipment

No.:

Date: 12-SEP-2016

Customer :

TECHNICAL PROPOSAL

Single-phase induction motor - Squirrel cage rotor

Product line : Single-Phase : NEMA 48 & 56 ODP - Start Capacitor

Catalog Number : .2518OS1B56

List Price : \$209

Notes:

Downloaded from <http://dealerselectric.com>

Generated for Model #.2518OS1B56

Performed by:

Checked:



Dealers Industrial Equipment

No.:

Date: 12-SEP-2016

DATA SHEET Single-phase induction motor - Squirrel cage rotor

Customer :
Product line : Single-Phase : NEMA 48 & 56 ODP - Start Capacitor

Frame : 56
Output : 0.25 HP
Frequency : 60 Hz
Poles : 4
Full load speed : 1740 rpm
Slip : 3.33 %
Voltage : 115/208-230 V
Rated current : 5.30/2.50-2.65 A
Locked rotor current : 25.4/12.7 A
Locked rotor current (I_L/I_n) : 4.8
No-load current : 4.60/2.30 A
Full load torque : 0.744 lb.ft
Locked rotor torque : 320 %
Breakdown torque : 260 %
Design : ---
Insulation class : B
Temperature rise : 80 K
Locked rotor time : 6 s (hot)
Service factor : 1.35 (1.00 at 208V)
Duty cycle : S1
Ambient temperature : -20°C - +40°C
Altitude : 1000 m
Degree of Protection : IP21
Approximate weight : 19 lb
Moment of inertia : 0.03204 sq.ft.lb
Noise level : ---

	D.E.	N.D.E.	Load	Power factor	Efficiency (%)
Bearings	6203 ZZ	6202 ZZ	100%	0.54	55.9
Regreasing interval	---	---	75%	0.48	48.5
Grease amount	---	---	50%	0.40	40.5

Notes:
Downloaded from <http://dealerselectric.com>
Generated for Model #.2518OS1B56

Performed by

Checked



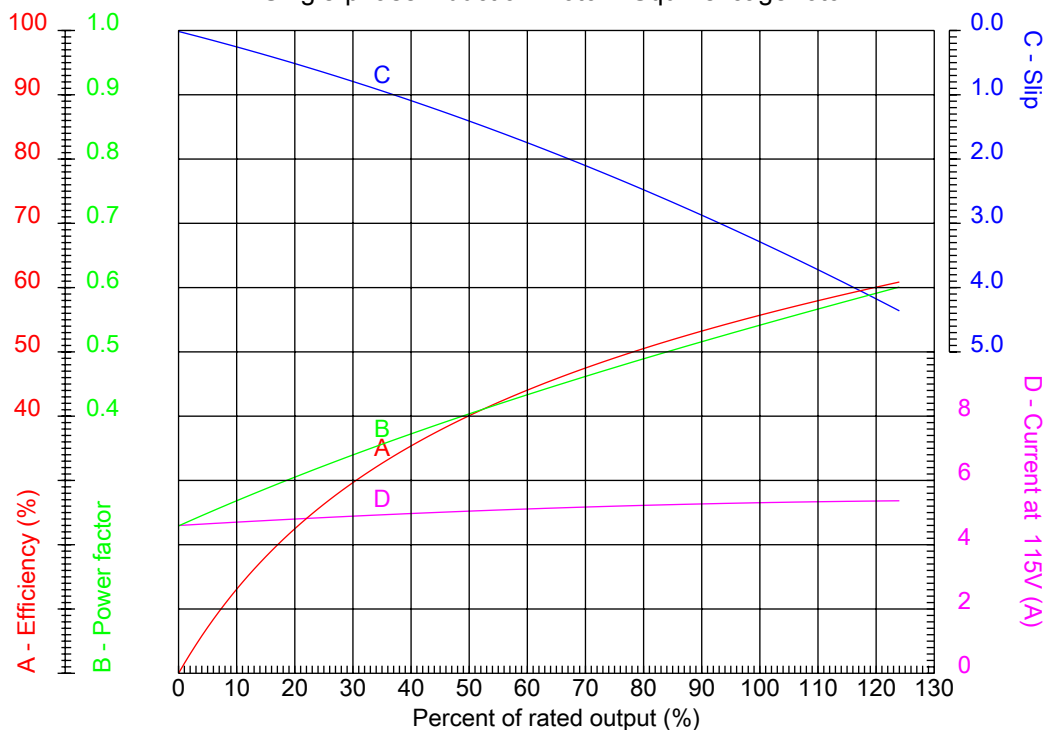
Dealers Industrial Equipment

No.:

Date: 12-SEP-2016

PERFORMANCE CURVES RELATED TO RATED OUTPUT

Single-phase induction motor - Squirrel cage rotor



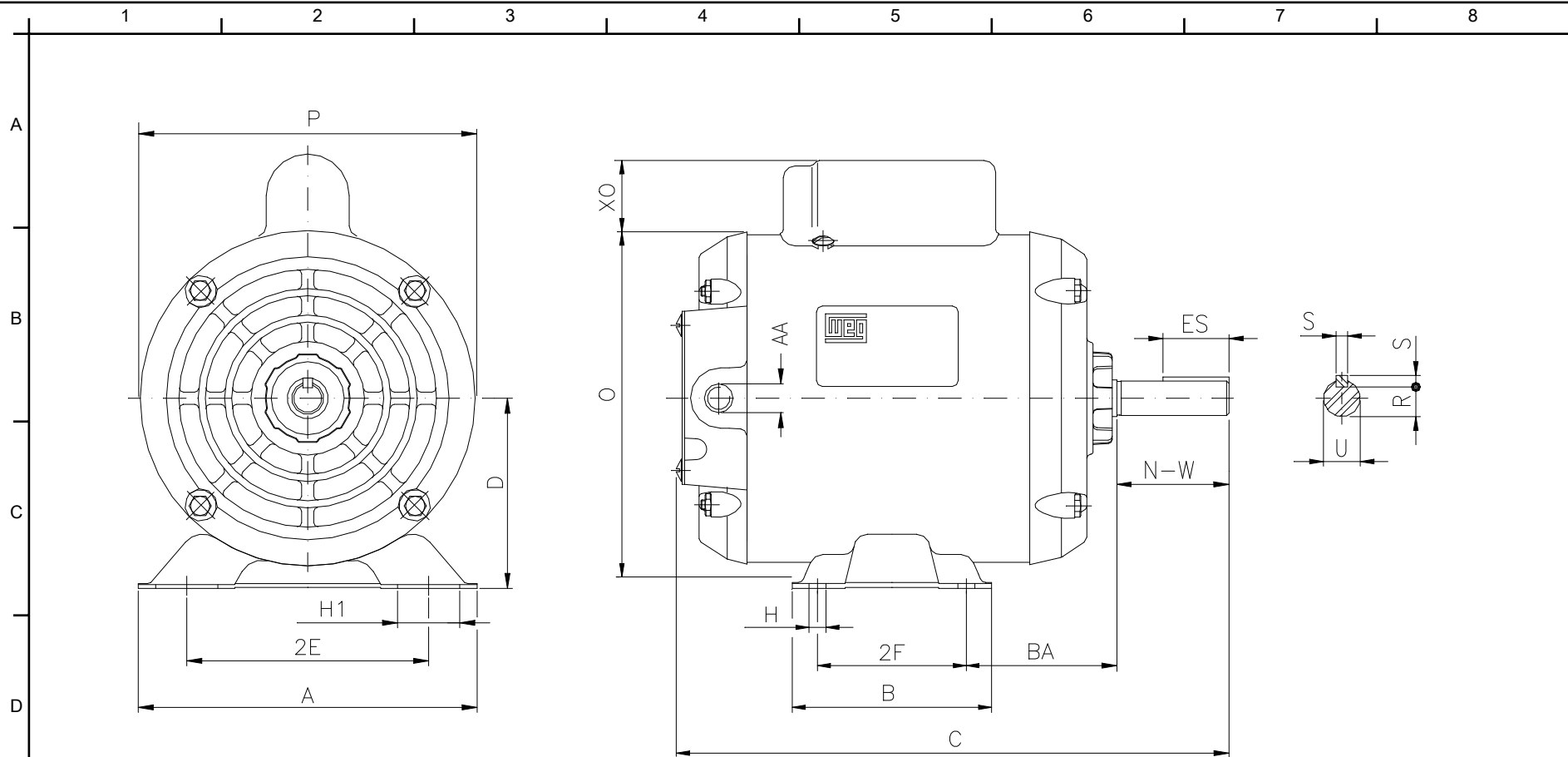
Customer :
Product line : Single-Phase : NEMA 48 & 56 ODP - Start Capacitor

Frame : 56	Locked rotor current (I _L /I _n) : 4.8
Output : 0.25 HP	Duty cycle : S1
Frequency : 60 Hz	Service factor : 1.35 (1.00 at 208V)
Full load speed : 1740 rpm	Design : ---
Voltage : 115/208-230 V	Locked rotor torque : 320 %
Rated current : 5.30/2.50-2.65 A	Breakdown torque : 260 %
Insulation class : B	

Notes:
Downloaded from <http://dealerselectric.com>
Generated for Model #.2518OS1B56

Performed by

Checked



Notes: Downloaded from <http://dealerselectric.com>
 Generated for Model #.2518OS1B56

Performed by:

Checked:

Customer:

Single-Phase : NEMA 48 & 56 ODP - Start Capacitor

2E	2F	H	H1	BA
4.874	3.000	0.342	1.220	2.750
A	B	C	D	O
6.535	4.016	9.646	3.500	6.378
XO	P	ES	S	N-W
0.000	5.709	1.102	0.187	1.874
U	R	AA	d1	AH
0.6250	0.517	NPT 1/2"	A4	2.063

Single-phase induction motor
 Frame 56 - IP21

12-SEP-2016

