



Dealers Industrial Equipment

No.:

Date: 12-SEP-2016

Customer :

TECHNICAL PROPOSAL

Three-phase induction motor - Squirrel cage rotor

Product line : Three-Phase : NEMA 56 Frames - TEFC

Catalog Number : .2518ES3EB56

List Price : \$249

Notes:

Downloaded from <http://dealerselectric.com>

Generated for Model #.2518ES3EB56

Performed by:

Checked:



Dealers Industrial Equipment

No.:

Date: 12-SEP-2016

DATA SHEET Three-phase induction motor - Squirrel cage rotor

Customer :
Product line : Three-Phase : NEMA 56 Frames - TEFC

Frame : B56
Output : 0.25 HP
Frequency : 60 Hz
Poles : 4
Full load speed : 1760 rpm
Slip : 2.22 %
Voltage : 208-230/460 V
Rated current : 1.05-1.00/0.500 A
Locked rotor current : 7.00/3.50 A
Locked rotor current (I_L/I_n) : 7.0
No-load current : 0.800/0.400 A
Full load torque : 0.736 lb.ft
Locked rotor torque : 290 %
Breakdown torque : 380 %
Design : A
Insulation class : F
Temperature rise : 80 K
Locked rotor time : 10 s (hot)
Service factor : 1.15 (1.00 at 208V)
Duty cycle : S1
Ambient temperature : -20°C - +40°C
Altitude : 1000 m
Degree of Protection : IP55
Approximate weight : 23 lb
Moment of inertia : 0.07119 sq.ft.lb
Noise level : ---

	D.E.	N.D.E.
Bearings	6203 ZZ	6202 ZZ
Regreasing interval	---	---
Grease amount	---	---

Load	Power factor	Efficiency (%)
100%	0.67	70.0
75%	0.58	66.0
50%	0.49	59.0

Notes:
Downloaded from <http://dealerselectric.com>
Generated for Model #.2518ES3EB56

Performed by

Checked



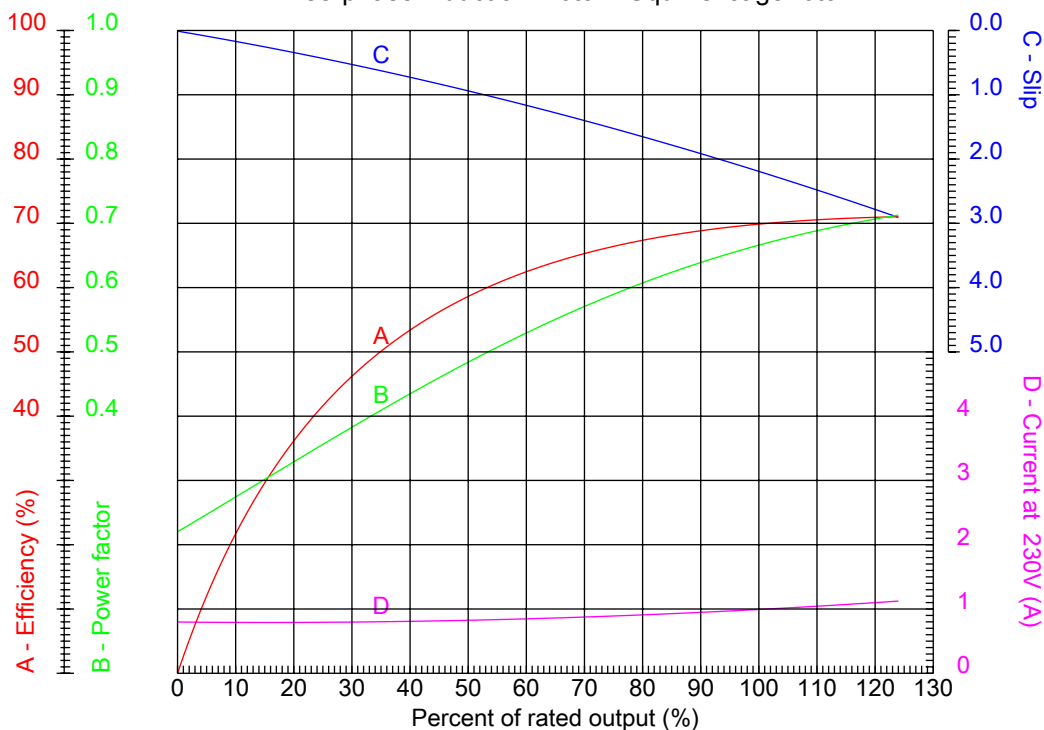
Dealers Industrial Equipment

No.:

Date: 12-SEP-2016

PERFORMANCE CURVES RELATED TO RATED OUTPUT

Three-phase induction motor - Squirrel cage rotor



Customer :
 Product line : Three-Phase : NEMA 56 Frames - TEFC

Frame	: B56	Locked rotor current (I _l /I _n)	: 7.0
Output	: 0.25 HP	Duty cycle	: S1
Frequency	: 60 Hz	Service factor	: 1.15 (1.00 at 208V)
Full load speed	: 1760 rpm	Design	: A
Voltage	: 208-230/460 V	Locked rotor torque	: 290 %
Rated current	: 1.05-1.00/0.500 A	Breakdown torque	: 380 %
Insulation class	: F		

Notes:
 Downloaded from <http://dealerselectric.com>
 Generated for Model #.2518ES3EB56

Performed by

Checked



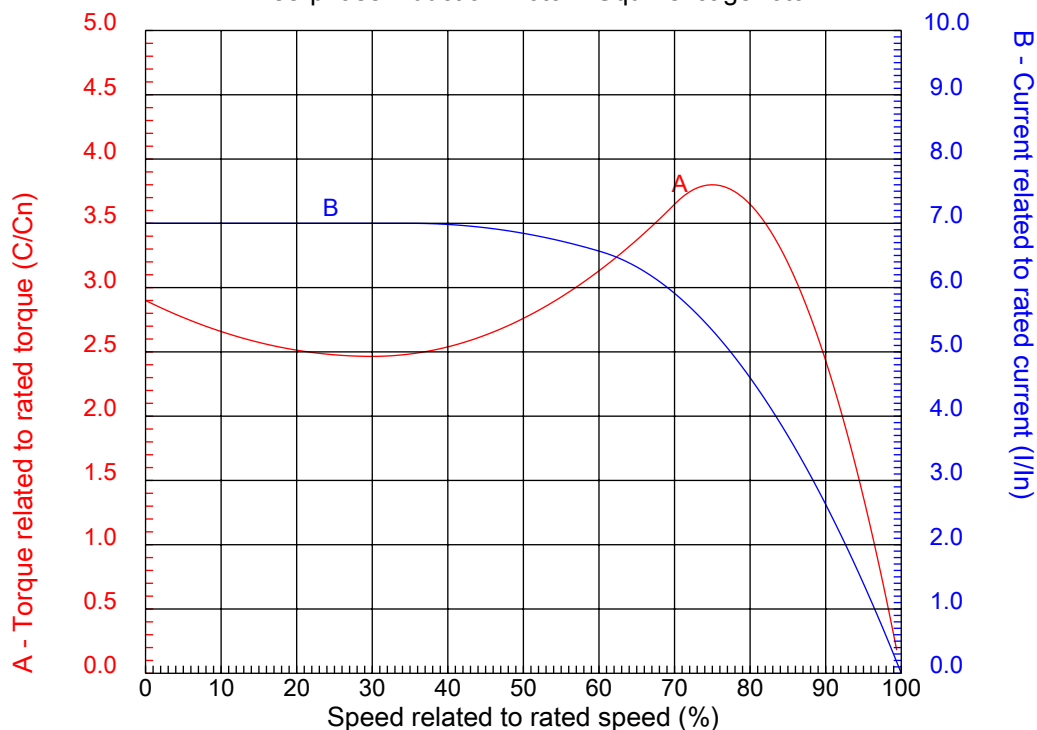
Dealers Industrial Equipment

No.:

Date: 12-SEP-2016

CHARACTERISTIC CURVES RELATED TO SPEED

Three-phase induction motor - Squirrel cage rotor



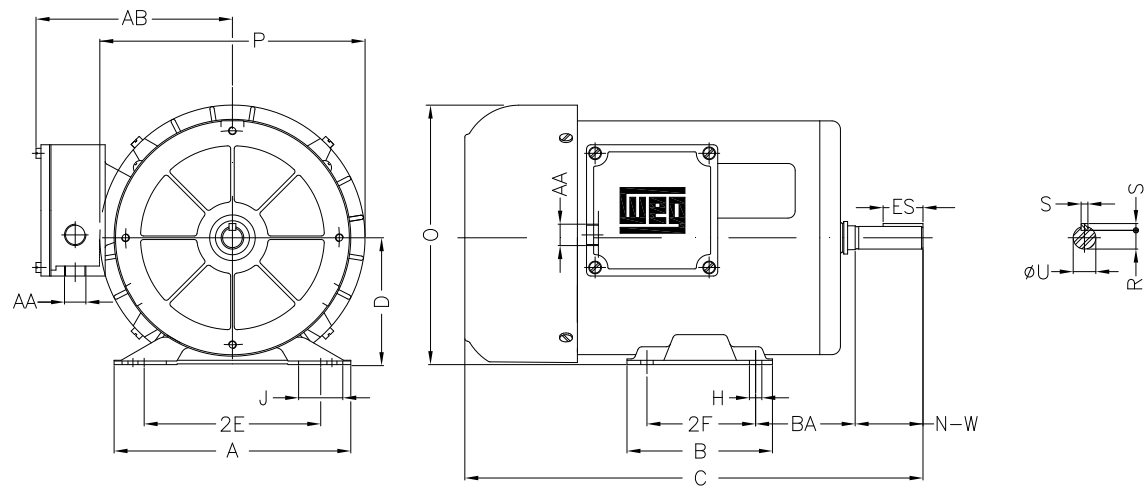
Customer :
Product line : Three-Phase : NEMA 56 Frames - TEFC

Frame	: B56	Locked rotor current (I _l /I _n)	: 7.0
Output	: 0.25 HP	Duty cycle	: S1
Frequency	: 60 Hz	Service factor	: 1.15 (1.00 at 208V)
Full load speed	: 1760 rpm	Design	: A
Voltage	: 208-230/460 V	Locked rotor torque	: 290 %
Rated current	: 1.05-1.00/0.500 A	Breakdown torque	: 380 %
Insulation class	: F		

Notes:
Downloaded from <http://dealerselectric.com>
Generated for Model #.2518ES3EB56

Performed by

Checked



Notes: Downloaded from <http://dealerselectric.com>
 Generated for Model #.2518ES3EB56

Performed by:

Checked:

Customer:

Three-Phase : NEMA 56 Frames - TEFC

2E	2F	H	BA	A
4.874	3.000	0.343	2.748	6.535
B	C	D	J	O
4.016	11.102	3.500	1.220	7.165
P	S	ES	R	N-W
7.323	0.187	1.102	0.517	1.874
U	AB	AA		
0.6250	5.433	2XNPT 1/2"		

Three-phase induction motor
 Frame B56 - IP55

12-SEP-2016



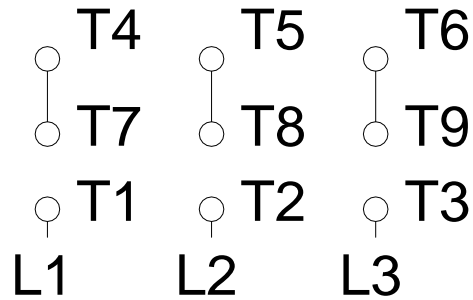
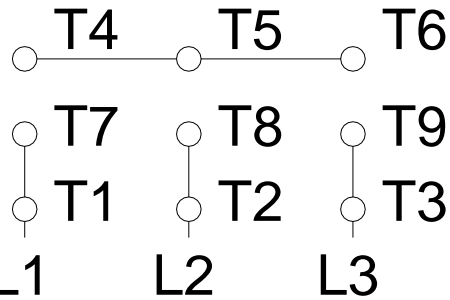
1 2 3 4 5 6 7 8

A

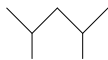
LOW VOLTAGE

HIGH VOLTAGE

B



C



D

E

F

Notes: Downloaded from http://dealerselectric.com Generated for Model #.2518ES3EB56		
Performed by:		
Checked:		
Customer:		
Three-Phase : NEMA 56 Frames - TEFC		
Three-phase induction motor Frame B56 - IP55	12-SEP-2016	