



Dealers Industrial Equipment

No.:

Date: 12-SEP-2016

Customer :

TECHNICAL PROPOSAL

Single-phase induction motor - Squirrel cage rotor

Product line : Single Phase: W01 (Rolled Steel) - TEFC - Standard Efficiency

Catalog Number : .2518ES1BW56C-S

List Price : \$288

Notes:

Downloaded from <http://dealerselectric.com>

Generated for Model #.2518ES1BW56C-S

Performed by:

Checked:



Dealers Industrial Equipment

No.:

Date: 12-SEP-2016

DATA SHEET Single-phase induction motor - Squirrel cage rotor

Customer :
 Product line : Single Phase: W01 (Rolled Steel) - TEFC - Standard Efficiency

Frame : W56
 Output : 0.25 HP
 Frequency : 60 Hz
 Poles : 4
 Full load speed : 1735 rpm
 Slip : 3.61 %
 Voltage : 115/208-230 V
 Rated current : 4.60/2.54-2.30 A
 Locked rotor current : 24.4/12.2 A
 Locked rotor current (I_L/I_n) : 5.3
 No-load current : 4.00/2.00 A
 Full load torque : 0.747 lb.ft
 Locked rotor torque : 310 %
 Breakdown torque : 280 %
 Design : ---
 Insulation class : F
 Temperature rise : 80 K
 Locked rotor time : 15 s (hot)
 Service factor : 1.15 (1.00 at 208V)
 Duty cycle : S1
 Ambient temperature : -20°C - +40°C
 Altitude : 1000 m
 Degree of Protection : IP55
 Approximate weight : 17 lb
 Moment of inertia : 0.03180 sq.ft.lb
 Noise level : 52 dB(A)

	D.E.	N.D.E.
Bearings	6203 ZZ	6202 ZZ
Regreasing interval	---	---
Grease amount	---	---

Load	Power factor	Efficiency (%)
100%	0.60	57.0
75%	0.52	52.0
50%	0.43	43.0

Notes:
 Downloaded from <http://dealerselectric.com>
 Generated for Model #.2518ES1BW56C-S

Performed by

Checked



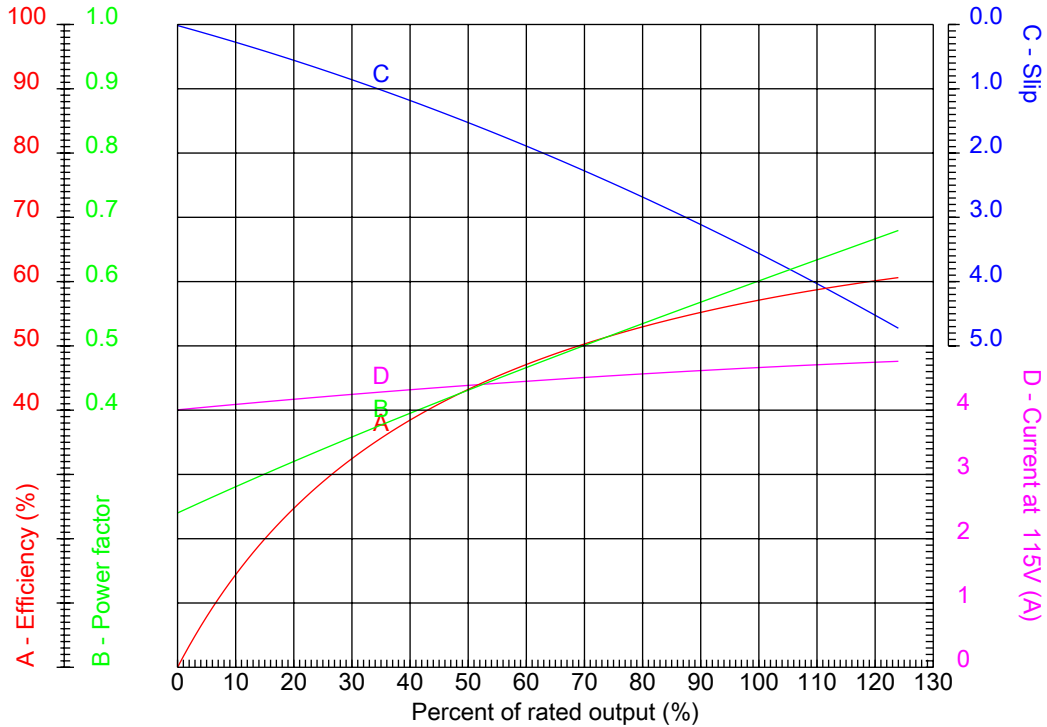
Dealers Industrial Equipment

No.:

Date: 12-SEP-2016

PERFORMANCE CURVES RELATED TO RATED OUTPUT

Single-phase induction motor - Squirrel cage rotor



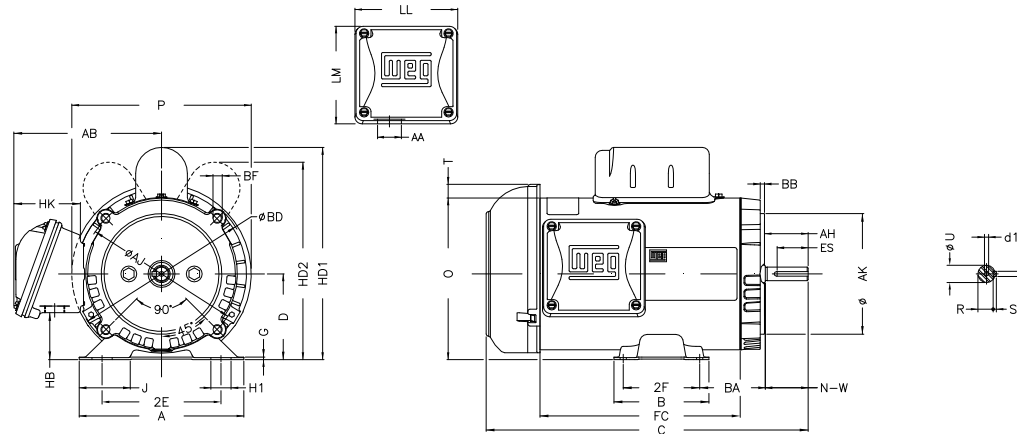
Customer :
 Product line : Single Phase: W01 (Rolled Steel) - TEFC - Standard Efficiency

Frame	: W56	Locked rotor current (I _l /I _n)	: 5.3
Output	: 0.25 HP	Duty cycle	: S1
Frequency	: 60 Hz	Service factor	: 1.15 (1.00 at 208V)
Full load speed	: 1735 rpm	Design	: ---
Voltage	: 115/208-230 V	Locked rotor torque	: 310 %
Rated current	: 4.60/2.54-2.30 A	Breakdown torque	: 280 %
Insulation class	: F		

Notes:
 Downloaded from <http://dealerselectric.com>
 Generated for Model #.2518ES1BW56C-S

Performed by

Checked



A

B

C

D

E

F

1 2 3 4 5 6 7 8

Notes: Downloaded from <http://dealerselectric.com>
Generated for Model #.2518ES1BW56C-S

P	AB	J	2E	A
6.693	5.520	1.620	4.874	6.535
H	G	HB	HK	XO
0.343	0.075	2.055	2.650	0.524
O	FC	2F	B	C
6.330	6.299	3.000	4.016	11.106
BA	N-W	ES	d1	S
2.750	1.874	1.417	A 3.15	0.187
U	AA	depth	R	LL
0.625	0.881"	0.187	0.517	3.835
LM	D	CH	HD'	HC1
3.697	3.500	1.417	8.189	4.717
Flange	AJ	AK	BD	BF
FC-149	5.874	4.500	6.470	UNC 3/8"x16-2B
BB	AH			
0.157	2.063			

Performed by:

Checked:

Customer:

Single Phase: W01 (Rolled Steel) - TEFC - Standard Efficiency

Single-phase induction motor
Frame W56 - IP55

12-SEP-2016

