



Dealers Industrial Equipment

No.:

Date: 12-SEP-2016

Customer :

TECHNICAL PROPOSAL

Three-phase induction motor - Squirrel cage rotor

Product line : Three-Phase : IEC Tru-Metric - TEFC (IP55) - Aluminum Frame

Catalog Number : .1836EP3EAL63

List Price : \$280

Notes:

Downloaded from <http://dealerselectric.com>

Generated for Model #.1836EP3EAL63

Performed by:

Checked:



Dealers Industrial Equipment

No.:

Date: 12-SEP-2016

DATA SHEET

Three-phase induction motor - Squirrel cage rotor

Customer :
 Product line : Three-Phase : IEC Tru-Metric - TEFC (IP55) - Aluminum Frame

Frame : 63
 Output : 0.25 HP
 Frequency : 60 Hz
 Poles : 2
 Full load speed : 3310 rpm
 Slip : 8.06 %
 Voltage : 230/460 V
 Rated current : 0.950/0.475 A
 Locked rotor current : 4.75/2.38 A
 Locked rotor current (I_L/I_n) : 5.0
 No-load current : 0.720/0.360 A
 Full load torque : 0.391 lb.ft
 Locked rotor torque : 300 %
 Breakdown torque : 310 %
 Design : ---
 Insulation class : F
 Temperature rise : 80 K
 Locked rotor time : 20 s (hot)
 Service factor : 1.15
 Duty cycle : S1
 Ambient temperature : -20°C - +40°C
 Altitude : 1000 m
 Degree of Protection : IP55
 Approximate weight : 12 lb
 Moment of inertia : 0.00285 sq.ft.lb
 Noise level : 56 dB(A)

	D.E.	N.D.E.
Bearings	6201 ZZ	6201 ZZ
Regreasing interval	---	---
Grease amount	---	---

Load	Power factor	Efficiency (%)
100%	0.70	68.0
75%	0.60	65.0
50%	0.48	58.0

Notes:
 Downloaded from <http://dealerselectric.com>
 Generated for Model #.1836EP3EAL63

Performed by

Checked



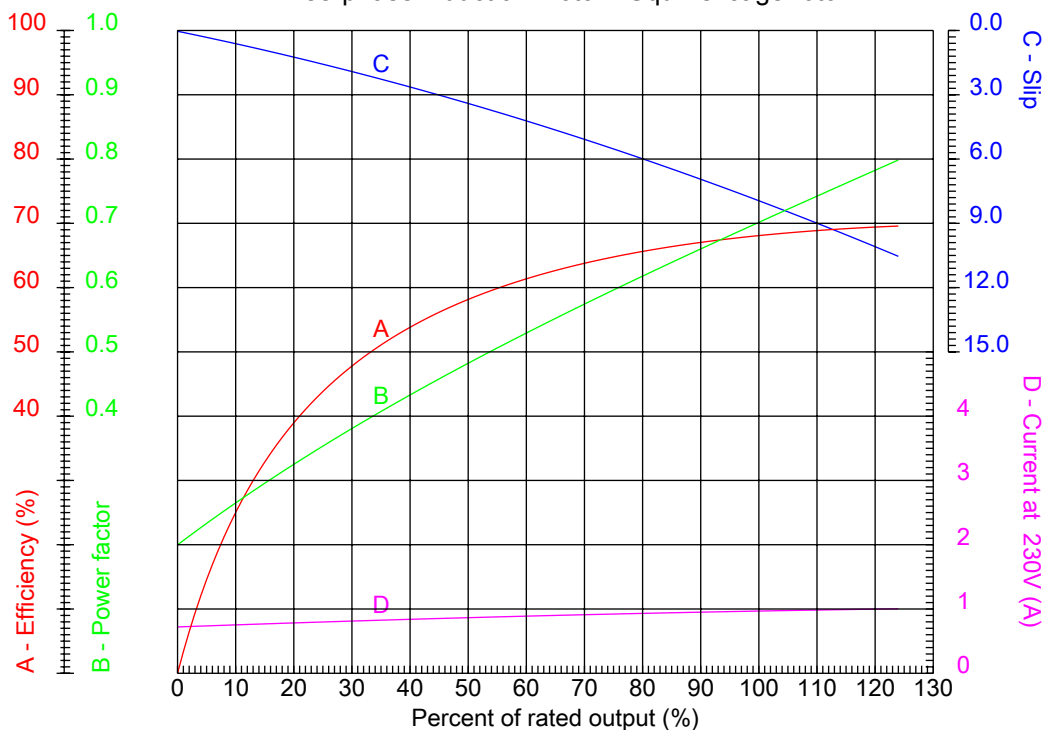
Dealers Industrial Equipment

No.:

Date: 12-SEP-2016

PERFORMANCE CURVES RELATED TO RATED OUTPUT

Three-phase induction motor - Squirrel cage rotor



Customer :
 Product line : Three-Phase : IEC Tru-Metric - TEFC (IP55) - Aluminum Frame

Frame	: 63	Locked rotor current (I _l /I _n)	: 5.0
Output	: 0.25 HP	Duty cycle	: S1
Frequency	: 60 Hz	Service factor	: 1.15
Full load speed	: 3310 rpm	Design	: ---
Voltage	: 230/460 V	Locked rotor torque	: 300 %
Rated current	: 0.950/0.475 A	Breakdown torque	: 310 %
Insulation class	: F		

Notes:
 Downloaded from <http://dealerselectric.com>
 Generated for Model #.1836EP3EAL63

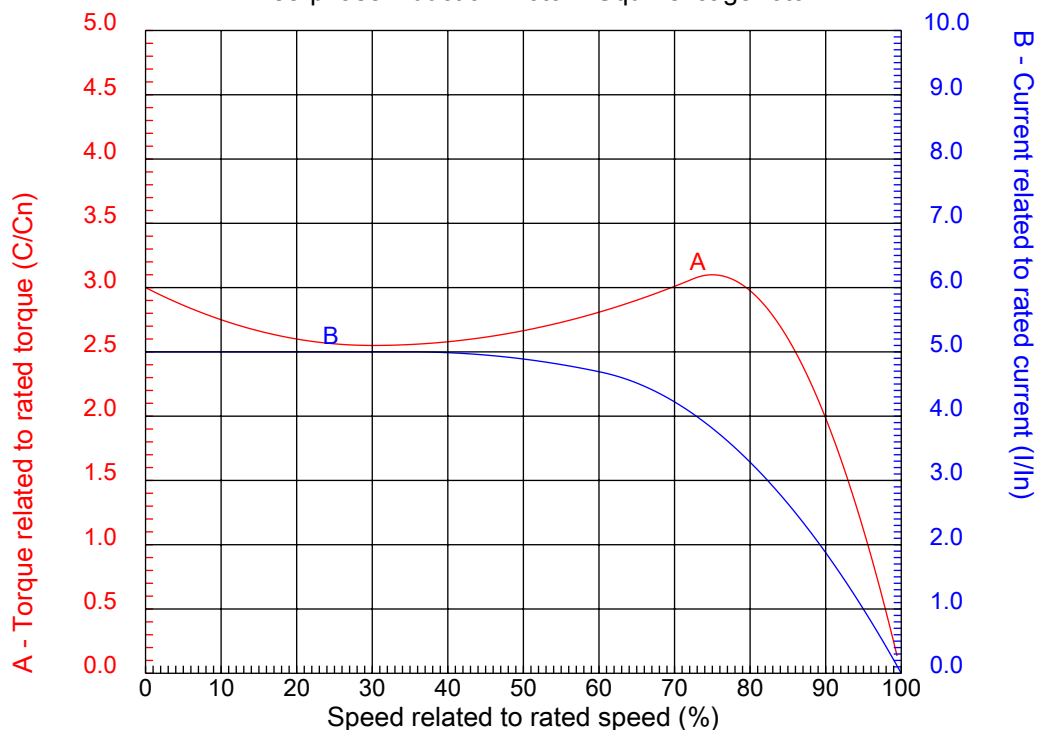
Performed by

Checked



CHARACTERISTIC CURVES RELATED TO SPEED

Three-phase induction motor - Squirrel cage rotor



Customer :
Product line : Three-Phase : IEC Tru-Metric - TEFC (IP55) - Aluminum Frame

Frame	: 63	Locked rotor current (I _l /I _n)	: 5.0
Output	: 0.25 HP	Duty cycle	: S1
Frequency	: 60 Hz	Service factor	: 1.15
Full load speed	: 3310 rpm	Design	: ---
Voltage	: 230/460 V	Locked rotor torque	: 300 %
Rated current	: 0.950/0.475 A	Breakdown torque	: 310 %
Insulation class	: F		

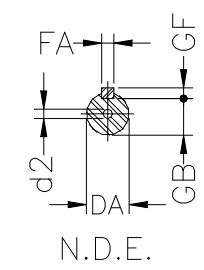
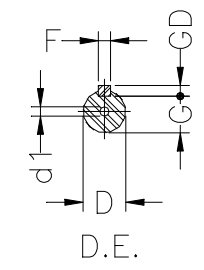
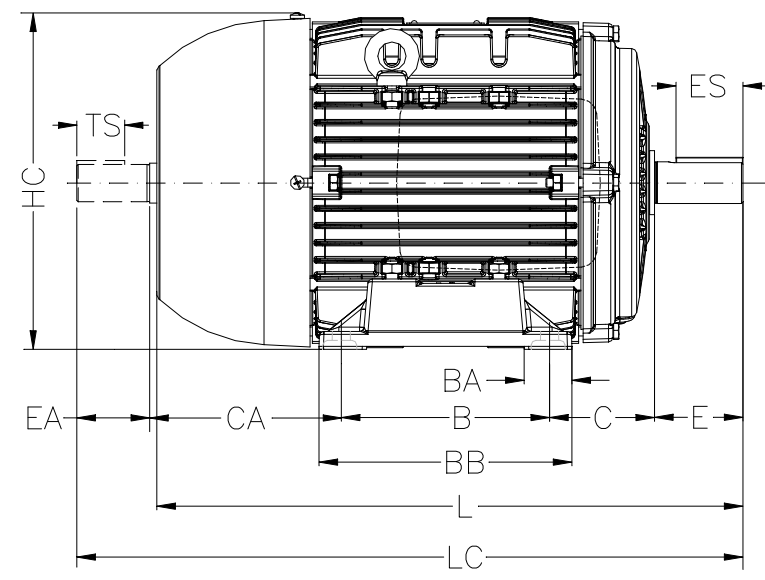
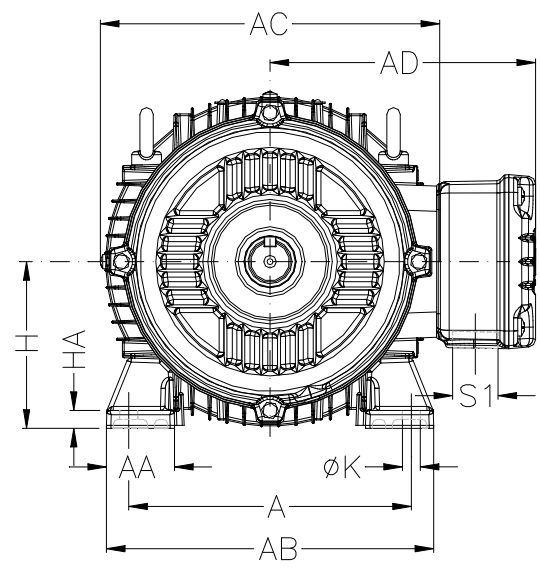
Notes:
Downloaded from <http://dealerselectric.com>
Generated for Model #.1836EP3EAL63

Performed by

Checked

1 2 3 4 5 6 7 8

A
B
C
D
E
F



Notes: Downloaded from <http://dealerselectric.com>
Generated for Model #.1836EP3EAL63

A	AA	AB	AC	AD
100	19	116	125	118.5
B	BA	BB	C	CA
80	23	95	40	78
D	E	ES	F	G
11j6	23	14	4	8.5
GD	DA	EA	TS	FA
4	9j6	20	12	3
GB	GF	H	HA	HC
7.2	3	63	6	125
HD	K	L	LC	S1
176	7	216	241	NPT 1/2"
d1	d2			
EM4	EM3			

Performed by:	Three-Phase : IEC Tru-Metric - TEFC (IP55) - Aluminum Frame	12-SEP-2016	
Checked:			
Customer:			
Three-phase induction motor Frame 63 - IP55			

1 2 3 4 5 6 7 8

A

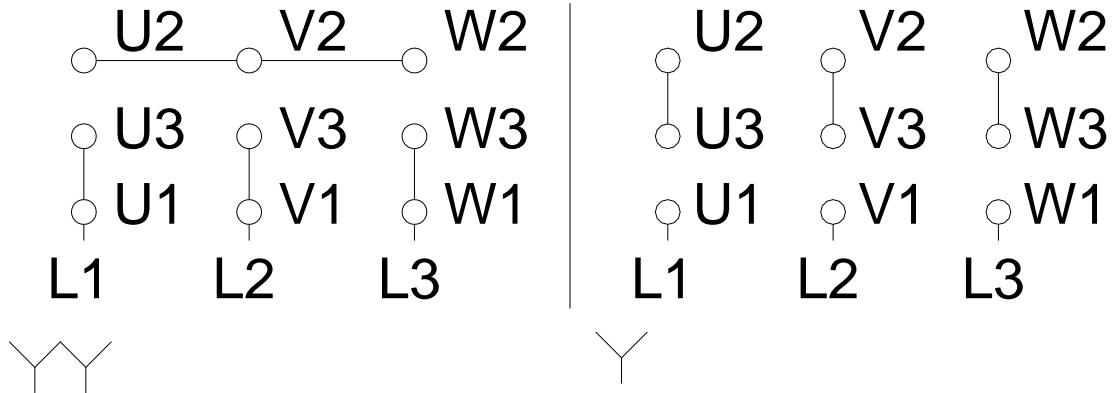
B

C

D

E

F



Notes: Downloaded from <http://dealerselectric.com>
 Generated for Model #.1836EP3EAL63

Performed by:

Checked:

Customer:

Three-Phase : IEC Tru-Metric - TEFC (IP55) - Aluminum Frame

Three-phase induction motor
 Frame 63 - IP55

12-SEP-2016

