



Dealers Industrial Equipment

No.:

Date: 12-SEP-2016

Customer :

TECHNICAL PROPOSAL

Three-phase induction motor - Squirrel cage rotor

Product line : Three-Phase : IEC Tru-Metric - TEFC (IP55) - Aluminum Frame

Catalog Number : .1812EP3EAL71

List Price : \$338

Notes:

Downloaded from <http://dealerselectric.com>

Generated for Model #.1812EP3EAL71

Performed by:

Checked:



Dealers Industrial Equipment

No.:

Date: 12-SEP-2016

### DATA SHEET

#### Three-phase induction motor - Squirrel cage rotor

Customer :  
 Product line : Three-Phase : IEC Tru-Metric - TEFC (IP55) - Aluminum Frame

Frame : 71  
 Output : 0.25 HP  
 Frequency : 60 Hz  
 Poles : 6  
 Full load speed : 1100 rpm  
 Slip : 8.33 %  
 Voltage : 230/460 V  
 Rated current : 1.54/0.772 A  
 Locked rotor current : 5.40/2.70 A  
 Locked rotor current (I<sub>L</sub>/I<sub>n</sub>) : 3.5  
 No-load current : 1.40/0.700 A  
 Full load torque : 1.18 lb.ft  
 Locked rotor torque : 280 %  
 Breakdown torque : 280 %  
 Design : ---  
 Insulation class : F  
 Temperature rise : 80 K  
 Locked rotor time : 15 s (hot)  
 Service factor : 1.15  
 Duty cycle : S1  
 Ambient temperature : -20°C - +40°C  
 Altitude : 1000 m  
 Degree of Protection : IP55  
 Approximate weight : 19 lb  
 Moment of inertia : 0.01875 sq.ft.lb  
 Noise level : 47 dB(A)

	D.E.	N.D.E.
Bearings	6203 ZZ	6202 ZZ
Regreasing interval	---	---
Grease amount	---	---

Load	Power factor	Efficiency (%)
100%	0.48	61.0
75%	0.40	57.0
50%	0.31	49.0

Notes:  
 Downloaded from <http://dealerselectric.com>  
 Generated for Model #.1812EP3EAL71

Performed by

Checked



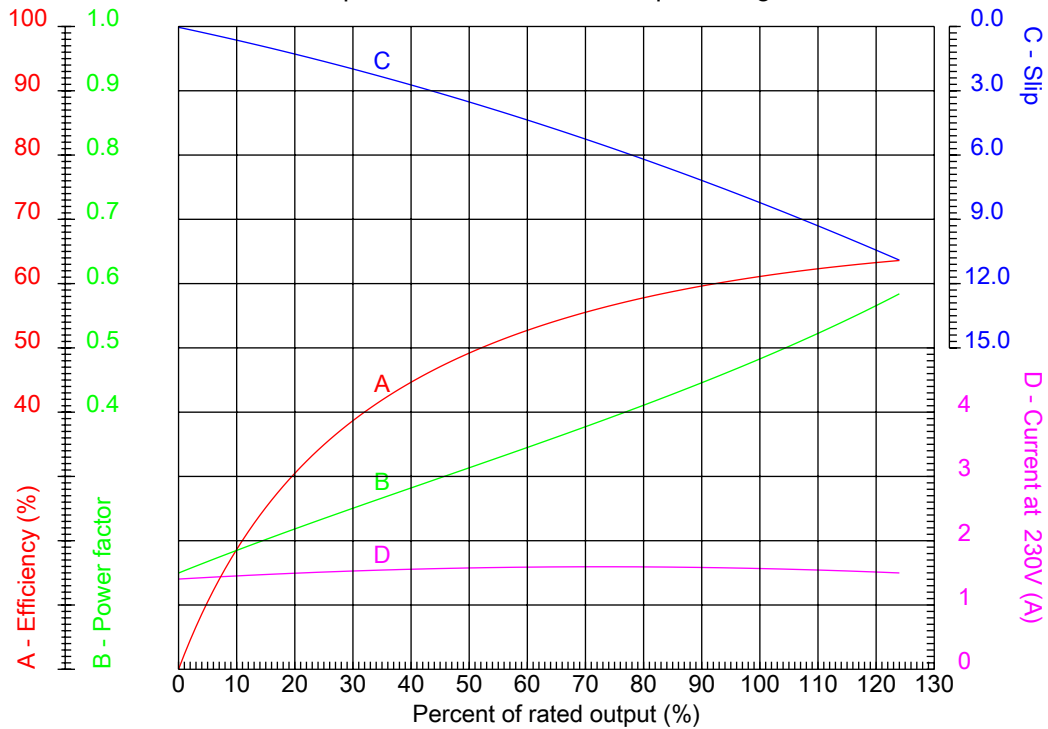
# Dealers Industrial Equipment

No.:

Date: 12-SEP-2016

## PERFORMANCE CURVES RELATED TO RATED OUTPUT

Three-phase induction motor - Squirrel cage rotor



Customer :  
Product line : Three-Phase : IEC Tru-Metric - TEFC (IP55) - Aluminum Frame

Frame : 71	Locked rotor current (I <sub>L</sub> /I <sub>n</sub> ) : 3.5
Output : 0.25 HP	Duty cycle : S1
Frequency : 60 Hz	Service factor : 1.15
Full load speed : 1100 rpm	Design : ---
Voltage : 230/460 V	Locked rotor torque : 280 %
Rated current : 1.54/0.772 A	Breakdown torque : 280 %
Insulation class : F	

Notes:  
Downloaded from <http://dealerselectric.com>  
Generated for Model #.1812EP3EAL71

Performed by

Checked



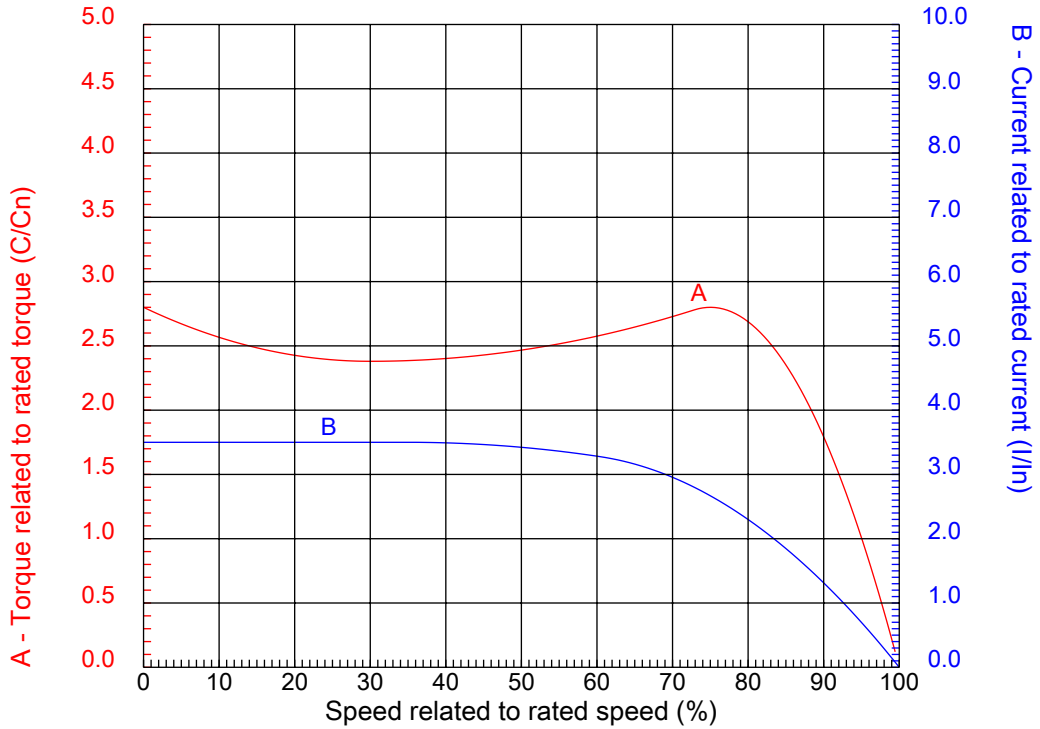
# Dealers Industrial Equipment

No.:

Date: 12-SEP-2016

## CHARACTERISTIC CURVES RELATED TO SPEED

Three-phase induction motor - Squirrel cage rotor



Customer :  
Product line : Three-Phase : IEC Tru-Metric - TEFC (IP55) - Aluminum Frame

Frame	: 71	Locked rotor current (I/Ih)	: 3.5
Output	: 0.25 HP	Duty cycle	: S1
Frequency	: 60 Hz	Service factor	: 1.15
Full load speed	: 1100 rpm	Design	: ---
Voltage	: 230/460 V	Locked rotor torque	: 280 %
Rated current	: 1.54/0.772 A	Breakdown torque	: 280 %
Insulation class	: F		

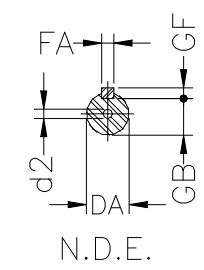
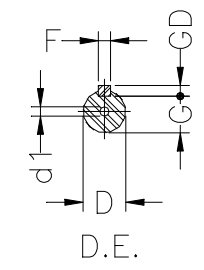
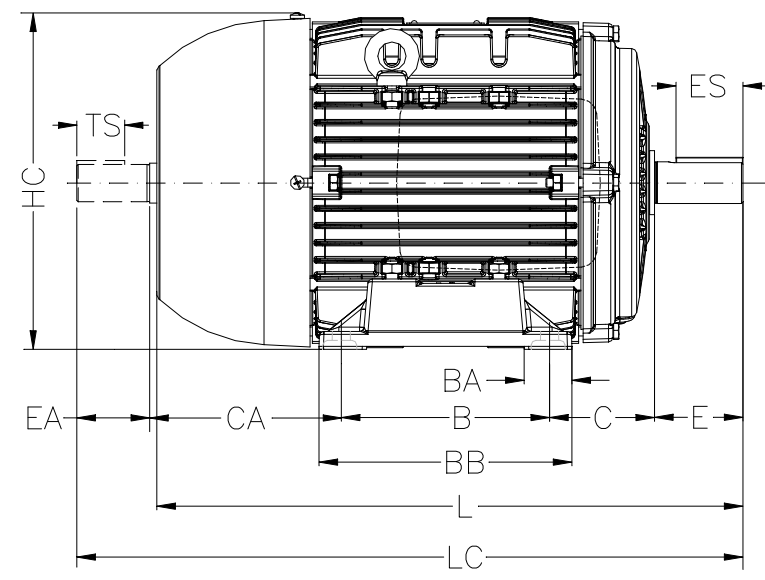
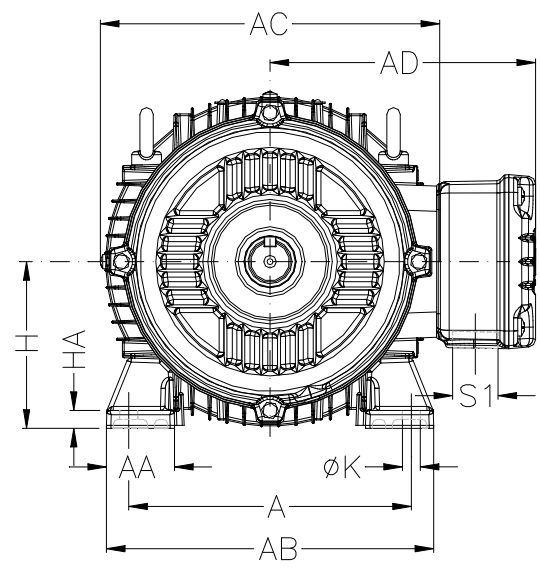
Notes:  
Downloaded from <http://dealerselectric.com>  
Generated for Model #.1812EP3EAL71

Performed by

Checked

1 2 3 4 5 6 7 8

A  
B  
C  
D  
E  
F



Notes: Downloaded from <http://dealerselectric.com>  
Generated for Model #.1812EP3EAL71

A	AA	AB	AC	AD
112	28	134	140	126.5
B	BA	BB	C	CA
90	24.5	108	45	88
D	E	ES	F	G
14j6	30	18	5	11
GD	DA	EA	TS	FA
5	11j6	23	14	4
GB	GF	H	HA	HC
8.5	4	71	6	139
HD	K	L	LC	S1
192	7	248	276	NPT 3/4"
d1	d2			
DM5	EM4			

Performed by:	Three-Phase : IEC Tru-Metric - TEFC (IP55) - Aluminum Frame	12-SEP-2016	
Checked:			
Customer:			
Three-phase induction motor Frame 71 - IP55			

1 2 3 4 5 6 7 8

A

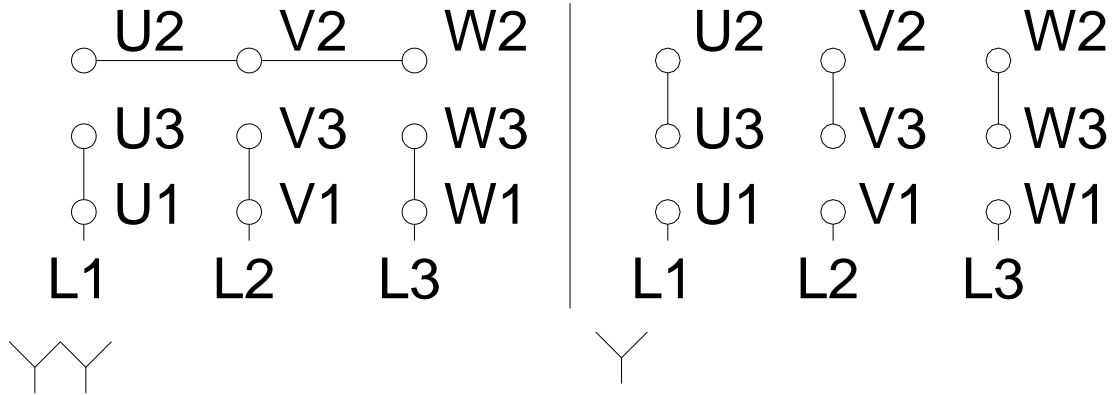
B

C

D

E

F



Notes: Downloaded from <http://dealerselectric.com>  
Generated for Model #.1812EP3EAL71

Performed by:

Checked:

Customer:

Three-Phase : IEC Tru-Metric - TEFC (IP55) - Aluminum Frame

Three-phase induction motor  
Frame 71 - IP55

12-SEP-2016

