

1 2 3 4 5 6 7 8

A

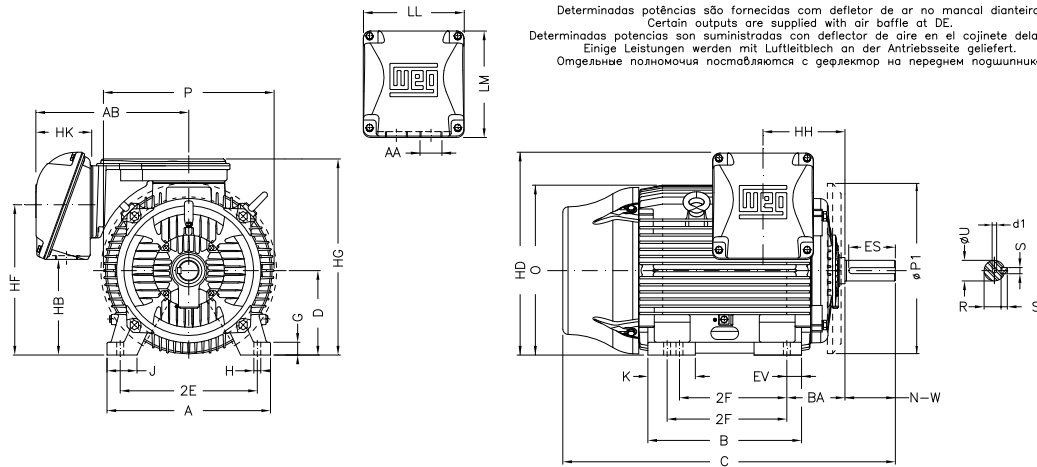
B

C

D

E

F



Determinadas potências são fornecidas com defletor de ar no mancal dianteiro.  
 Certain outputs are supplied with air baffle at DE.  
 Determinadas potencias son suministradas con deflector de aire en el cojinete delantero.  
 Einige Leistungen werden mit Luftblech an der Antriebsseite geliefert.  
 Отдельные полнomoции поставляются с дефлектор на переднем подшипнике.

Notes: Downloaded from <http://dealerselectric.com>  
 Generated for Model #50036ET3G586/7S-W22

2E 23.000	J 5.512	A 29.528	P 28.977	AB 23.189
2F 22.000/25.000	K 9.055	B 29.921	BA 10.000	U 2.375
N-W 4.750	ES 3.000	S 0.625	R 2.021	depth 0.625
D 14.500	G 2.492	HB 18.575	O 28.985	HD 35.740
HF 26.732	HG 35.236	HH 13.346	HK 8.661	EV 2.559
H 1.181	C 55.027	LL 15.906	LM 17.165	AA 2xNPT 3"
d1 DUNC 3/4"-10				

Performed by:

Checked:

Customer:

W22 NEMA Premium - Ball Bearings

Three-phase induction motor  
 Frame 586/7TS - IP55

29-SEP-2016

