

1 2 3 4 5 6 7 8

A

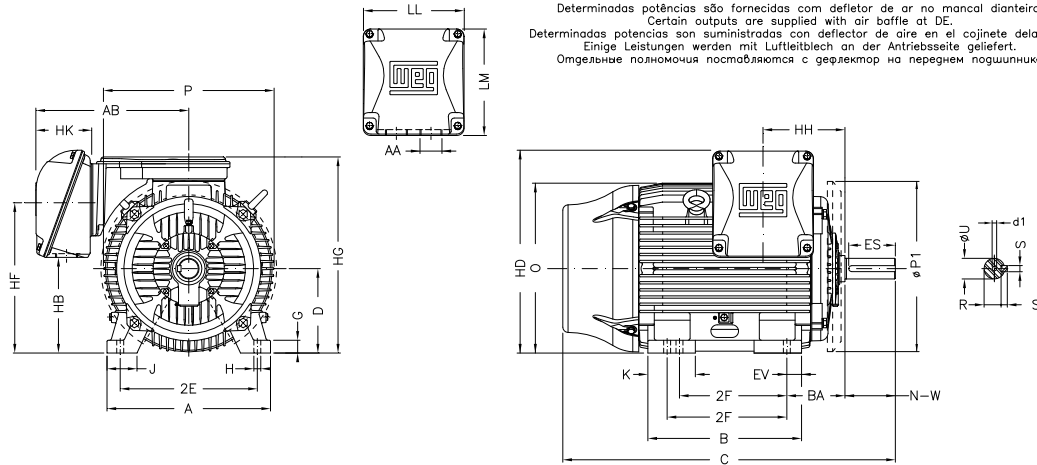
B

C

D

E

F



Notes: Downloaded from <http://dealerselectric.com>
 Generated for Model #45012ET3G586/7-W22

| | | | | |
|---------------------|--------------|--------------|--------------|----------------|
| 2E 23.000 | J 5.512 | A 29.528 | P 28.977 | AB 23.189 |
| 2F 22.000/25.000 | K 9.055 | B 29.921 | BA 10.000 | U 3.875 |
| N-W 11.625 | ES 8.661 | S 1.000 | R 3.312 | depth 1.000 |
| D 14.500 | G 2.492 | HB 18.575 | O 28.985 | HD 35.740 |
| HF 26.732 | HG 35.236 | HH 13.346 | HK 8.661 | EV 2.559 |
| H 1.181 | C 61.902 | LL 15.906 | LM 17.165 | AA 2xNPT 3" |
| d1 DUNC 7/8"-9 | | | | |

| | |
|--|-------------|
| Performed by: | |
| Checked: | |
| Customer: | |
| W22 NEMA Premium - Ball Bearings | |
| Three-phase induction motor Frame 586/7T - IP55 | 29-SEP-2016 |

